



Update on the Cathodes and Radiofrequency Interactions in Extremes (CARIE) high gradient photocathode test stand at LANL

Evgenya Simakov, Anna Alexander, Petr Anisimov, Walter C. Barkley, Torben Grumstrup, W. Brian Haynes, Deepak Rai, Haoran Xu, Jinlin Zhang, MD Zuboraj

Los Alamos National Laboratory

06/26/2024



Managed by Triad National Security, LLC., for the U.S. Department of Energy's NNSA.

6/30/2024

1

Outline of this talk

- Introduction and LANL C-band project overview
- Status of CARIE construction: the high gradient RF injector test facility
- New photoinjector with the cathode plug
- Summary and near-term plans



LANL High Gradient C-band research

The goals for LANL's high gradient project are

- To build a C-band (5.712 GHz) high gradient rf breakdown study facility (2019-2022).
- To build a C-band cryo-cooled photoinjector study facility (2022-2025).
- To conduct material studies.

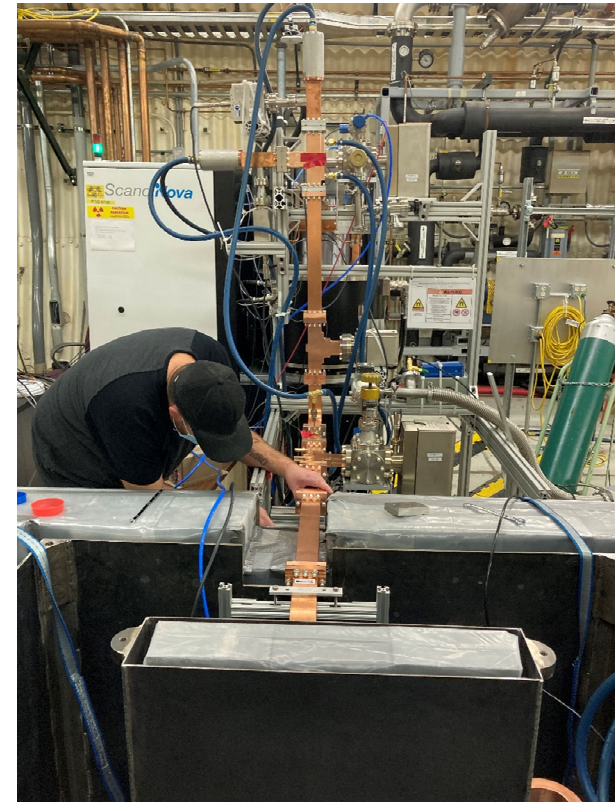
This work was funded by Los Alamos National Laboratory (LANL) Laboratory Directed Research and Development (LDRD) program and Technology Evaluation and Development (TED) funds.



LANL C-band Engineering Research Facility (CERF-NM)

CERF-NM was built with \$3M of LANL's internal infrastructure investment.

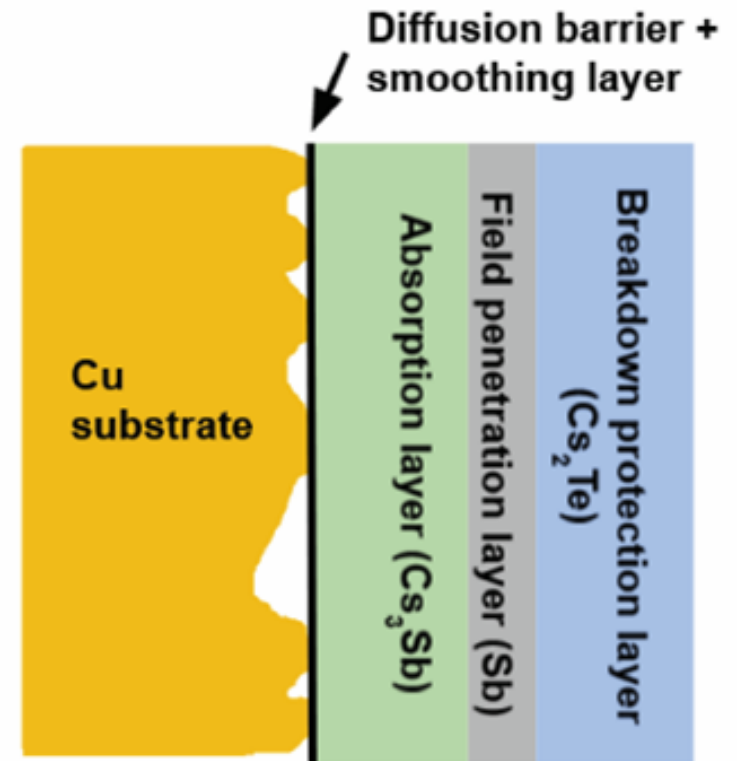
- Powered with a C-band Canon klystron
- Conditioned to 50 MW
- Frequency 5.712 GHz
- 300 ns – 1 μ s pulse length
- Rep rate up to 200 Hz (typical 100 Hz)
- Nominal bandwidth 5.707-5.717 GHz



CARIE: Cathodes And Rf Interactions in Extremes

A new three-year project was funded at LANL to demonstrate operation of high-quantum-efficiency cathodes in a high-gradient RF injector.

- Project builds upon LANL's expertise in high-gradient C-band and high-QE photocathodes.
- The proposed heterostructured cathode will include multiple layers to ensure atomic flatness of the surface, high QE, and the ability to withstand high electric fields with no breakdown.
- Target beam parameters: 250 pC, 0.1 $\mu\text{m}^*\text{rad}$, $B_{5D} = 10^{16} \text{ A/m}^2$.
- The project started in October of 2022.



CARIE vault

- A location was identified on LANSCE mesa that can accommodate a 20 kW electron beam.
- The vault was cleaned for the new experiment.
- A modulator for the 50 MW C-band klystron has finally arrived.
- The klystron is installed. Conditioned to 35 MW of the output power, 1.5 μ s pulse width, 50 Hz rep rate.



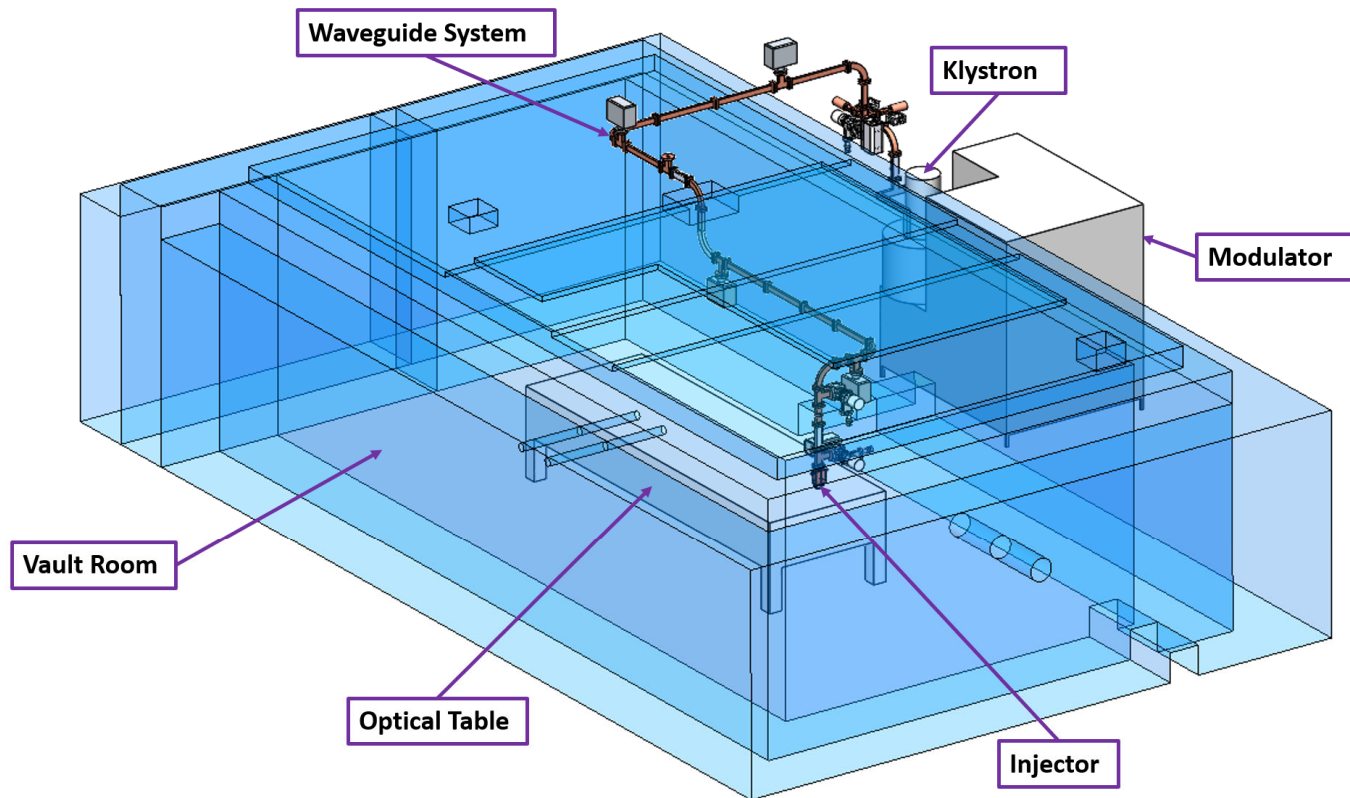
CARIE klystron is fully conditioned

- Maximum power and repetition rates are determined by the limitations of the chiller.

	Pulse Width (μs)	Pulse Width (μs)	Pulse Width (μs)
Rep rate (Hz)	1	1.25	1.5
1	36 MW	36 MW	36 MW
20	N/A	36 MW	36 MW
40	N/A	25 MW	20 MW



CARIE vault facility lineout – design with a magic T



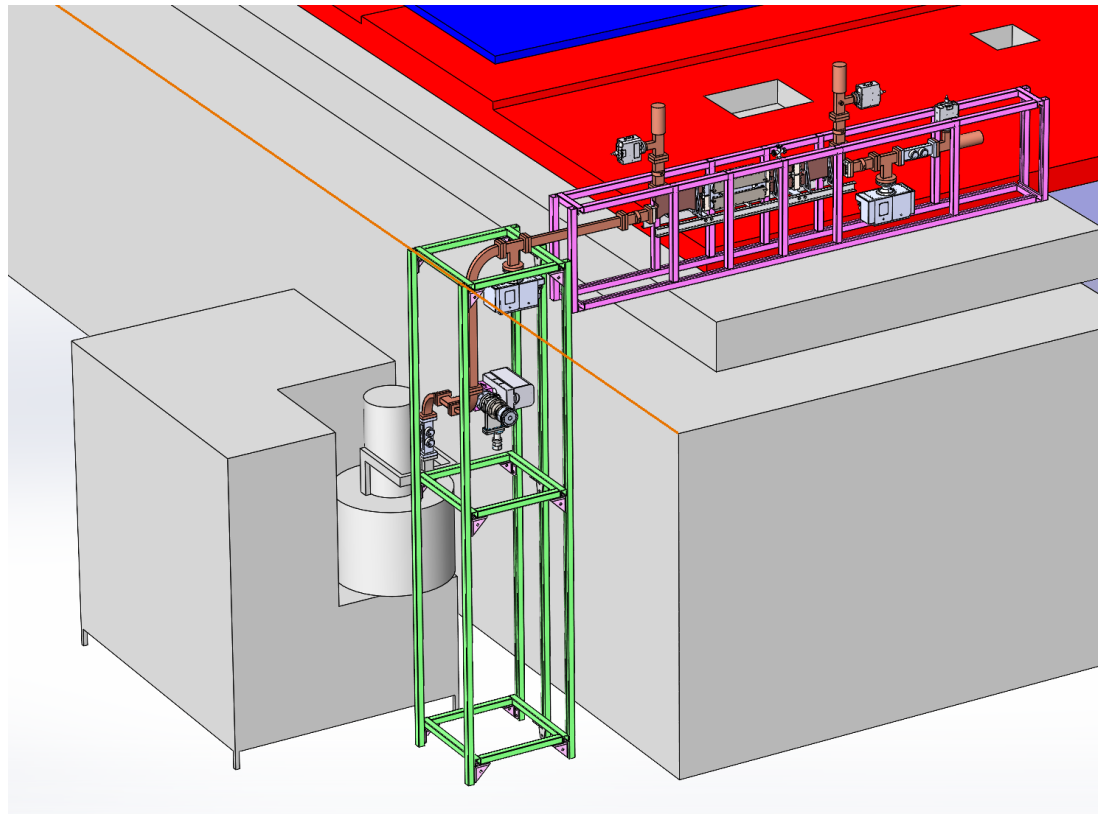
50 MW power circulator for CARIE

- Fabricated by Microwave Techniques LLC.
- Received at LANL in January, 2024.
- Designed to operate at 50 MW of power, 1 μ s pulse, 100 Hz repetition rate.
- Must be filled with SF6 at 55 psi.
- Problem: CML WR187 windows are designed for 40 psi, Microwave Techniques WR187 windows are designed for 35 psi.
- Microwave Techniques states that if filled to 30 psi, should operate up to 10 MW of power.



CARIE vault facility lineout – design a circulator

- Installation is currently in progress.

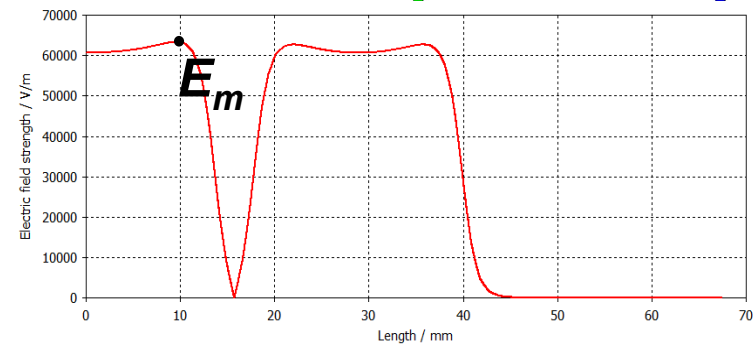
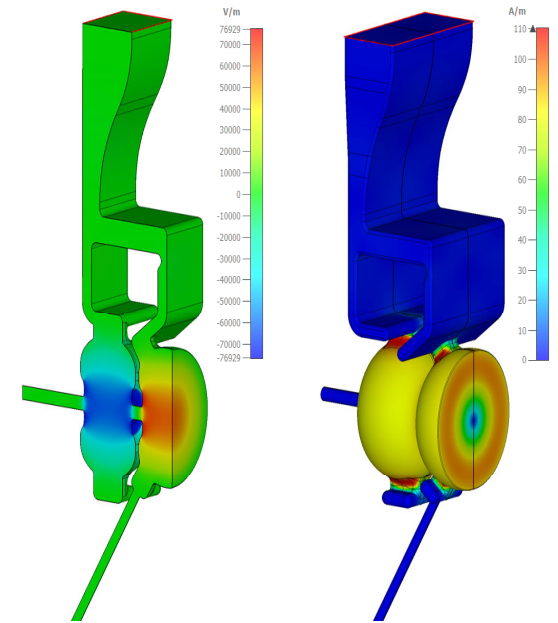
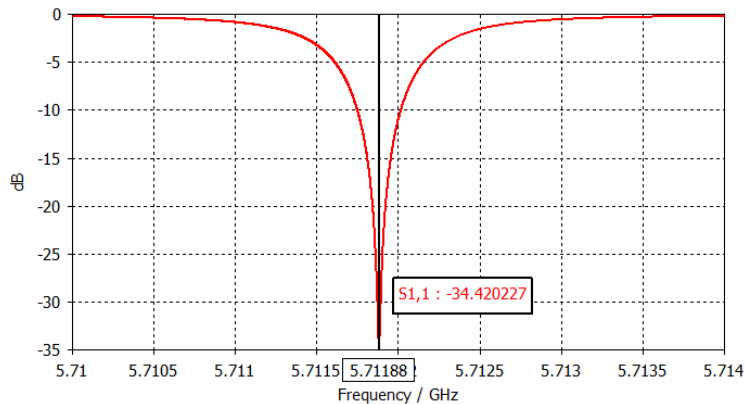


RESEARCH & DEVELOPMENT



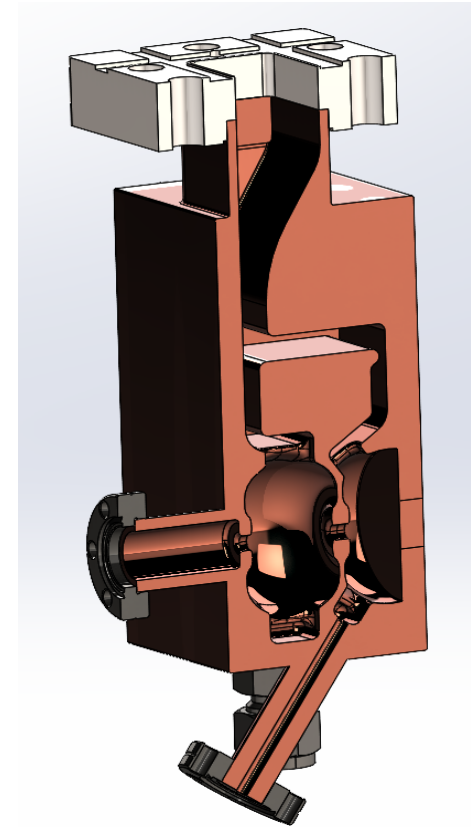
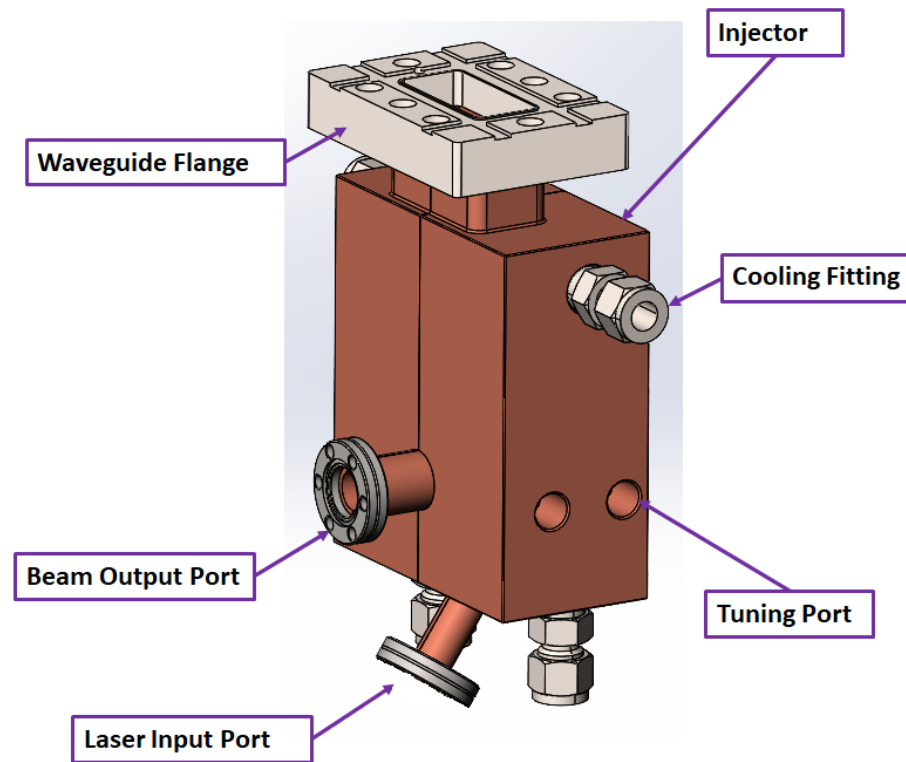
RF photoinjector electromagnetic design

- RF design for the all-copper photoinjector is complete.
- 1.6 cell injector
- Two waveguides couple the half-cell and the full cell with 180° phase advance.
- $E_{\text{surf}}/E_{\text{cath}}=1.28$, $H_{\text{surf}}Z_0/E_{\text{cath}}=0.64$.
- Power for $E_{\text{cath}}=240$ MV/m is about 8 MW.



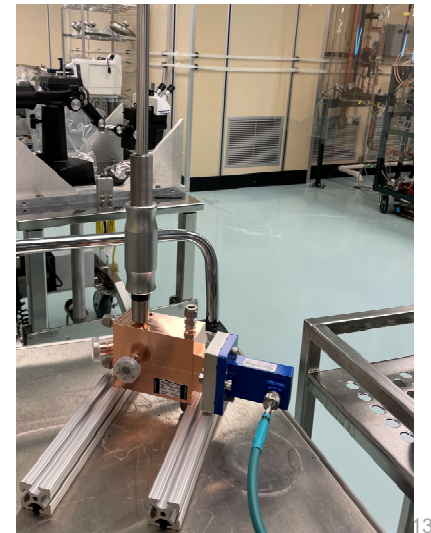
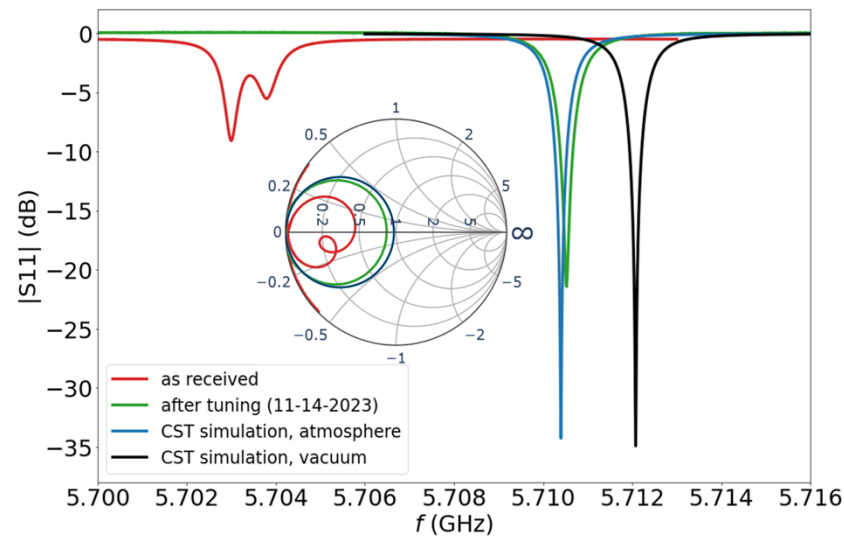
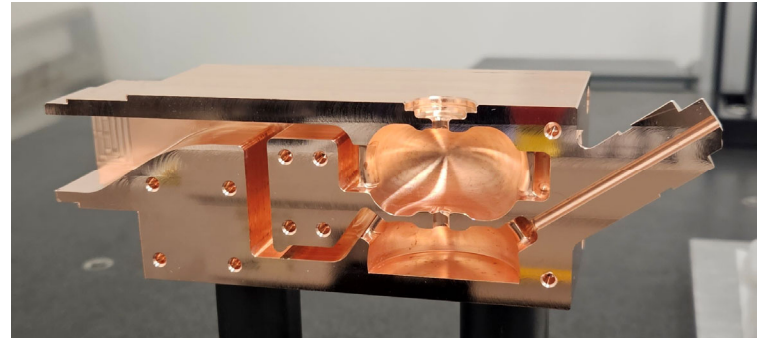
RF photoinjector fabrication

- We will first fabricate and test an all-copper injector with no cathode plug.
- CAD design for the all-copper photoinjector is complete.
- The cavity was received at LANL in October, 2023.



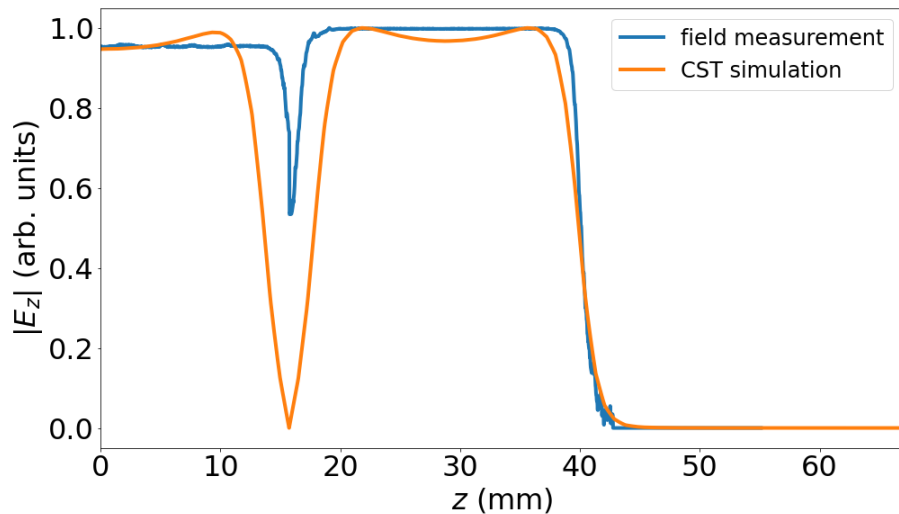
RF photoinjector cold testing

- Tuning of the photoinjector was successful.
- Tuned frequency 5710.53 MHz in air (5712.15 MHz in vacuum).
- Measured Q-factor 11869 (computed Q-factor 11934).



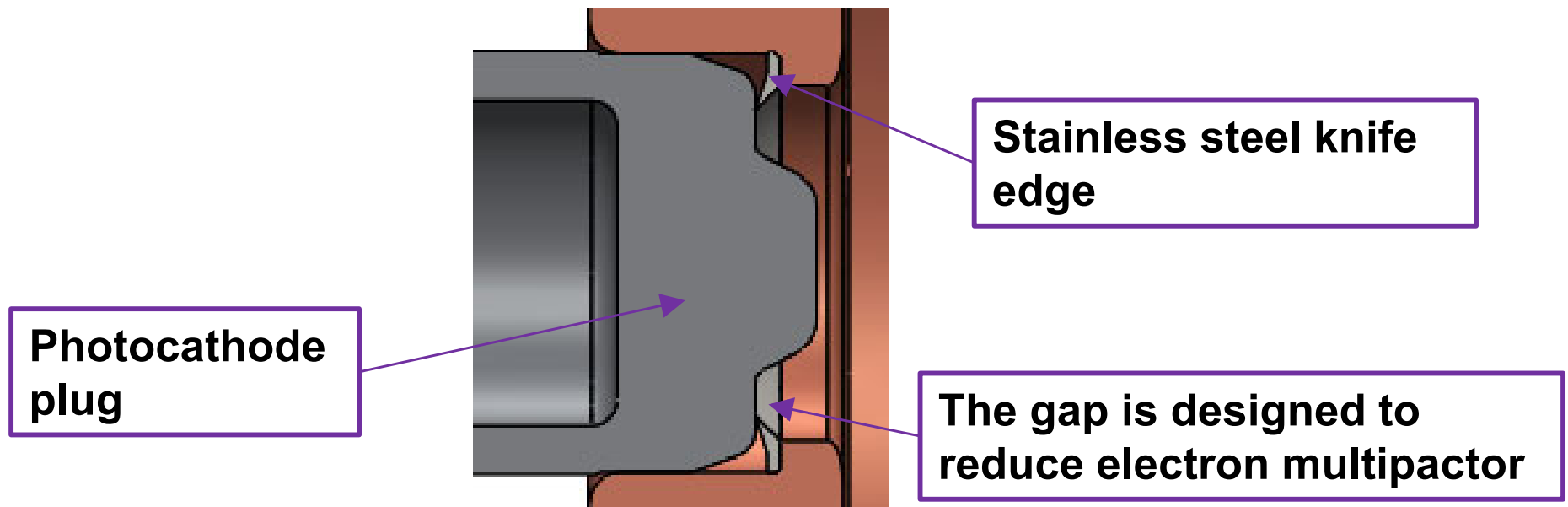
Field profile measurement

- Good agreement with CST after tuning on 11/14/2023.
- Cathode field is 95% of the field in full cell.

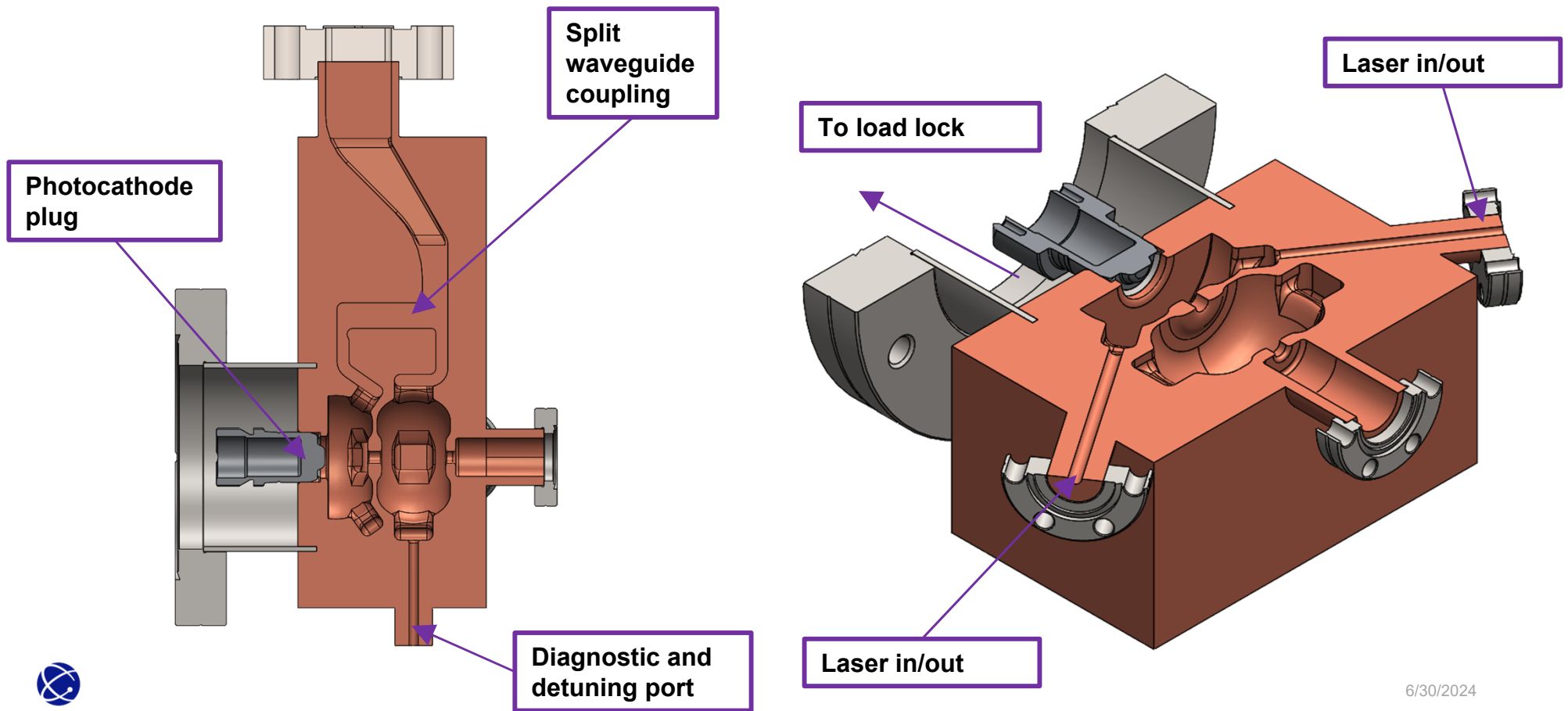


Photoinjector with a cathode plug

- CARIE facility will be used to study behavior of cathodes at high gradient.
- INFN-style cathode plug will be used for inserting cathodes.
- The choke cavity will reject the fundamental mode coupling into the plug insertion hole.

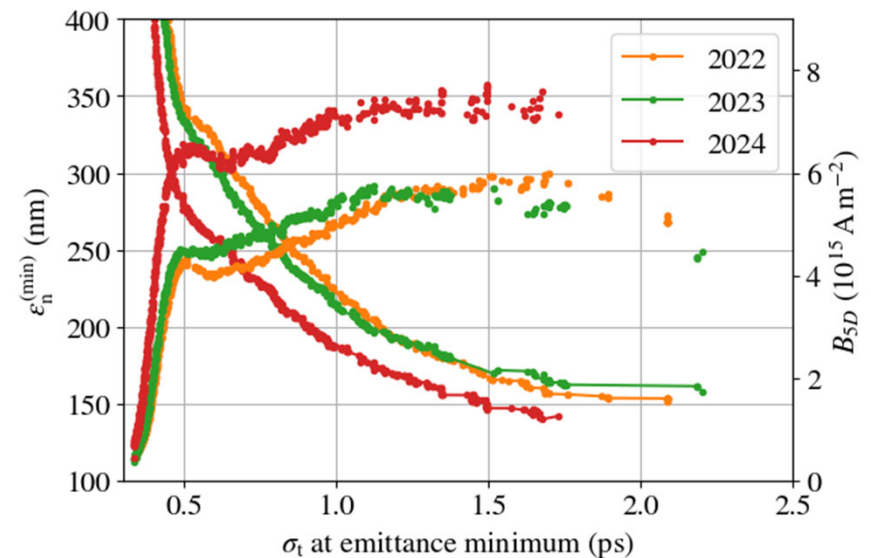


CAD design of the injector with a plug



Multi-objective optimizations of beam propagation

- A solenoid is used for emittance compensation.
- Multi-objective optimizations of beam propagation were conducted in collaboration with Cornell U.
- RF fields in injector were symmetrized
- Multiple parameters were optimized:
 - Solenoid's position and field
 - Initial beam size and spatial intensity distribution
 - Beam launch phase and bunch shape – very important!



Optimized beam parameters

Variables	Best Emittance	Best Brightness
ε_n^{\min}	140 nm	146 nm
B_{5D}	7.58 kA μm^{-2}	7.72 kA μm^{-2}
p	78	77
$\sigma_t(0)$	1.84 ps	1.62 ps
$r_{\max}/\sigma_{\{x,y\}}^0$	0.0534	0.1991
$\sigma_{\{x,y\}}$	199 μm	205 μm
$B_{\text{sol}}/B_{\text{UCLA}}^{\max}$	0.9784	0.9886
Δz_{sol}	-8.39 mm	-9.21 mm
ϕ_{RF}	-1.6°	-2.3°



LANL has plans for further developing its C-band accelerator capabilities

- Director Initiative money were allocated in FY22 to jump start this facility.
- Current LANL LDRD project ends in October, 2025.
- We are actively doing program development to get continuing operation and development funding for the CARIE facility.
- Several ideas under consideration – MeV Ultrafast Electron Diffraction facility, ICS experiment (requires linac energy booster), ARDAP accelerator development proposals.

