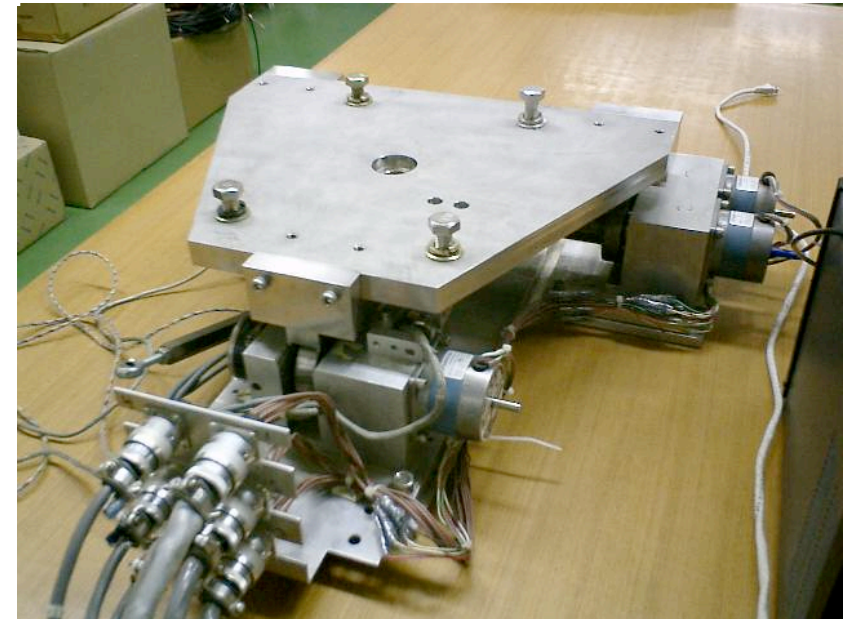
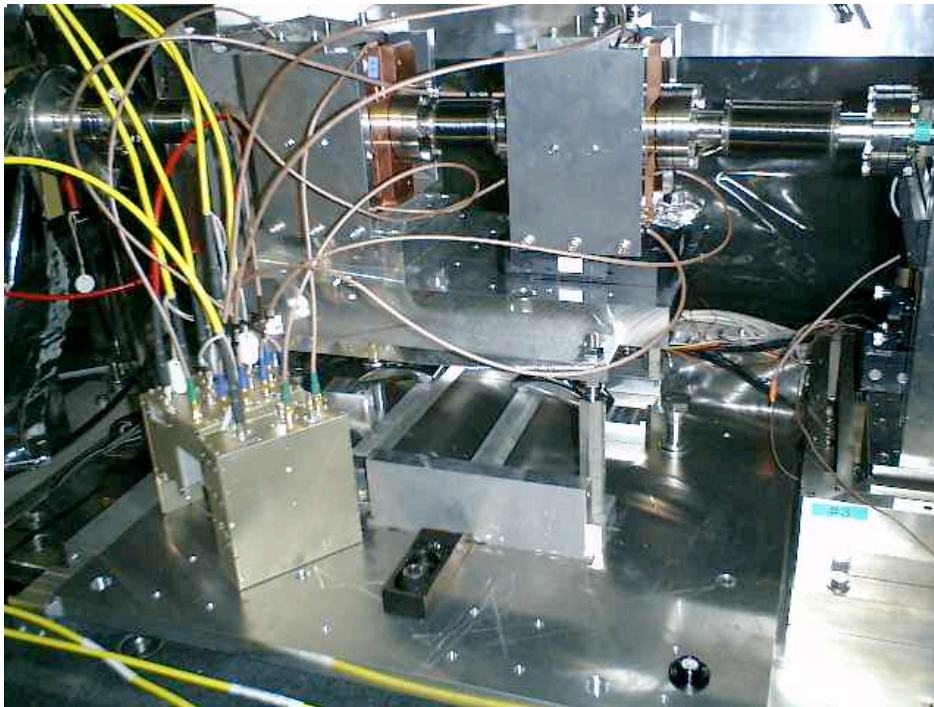
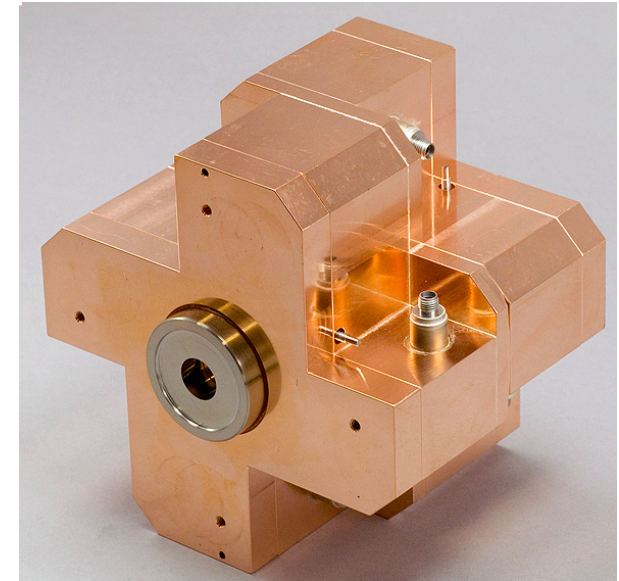


IPBPM schedule

Y.Honda
2006/Dec./20
ATF2 project meeting

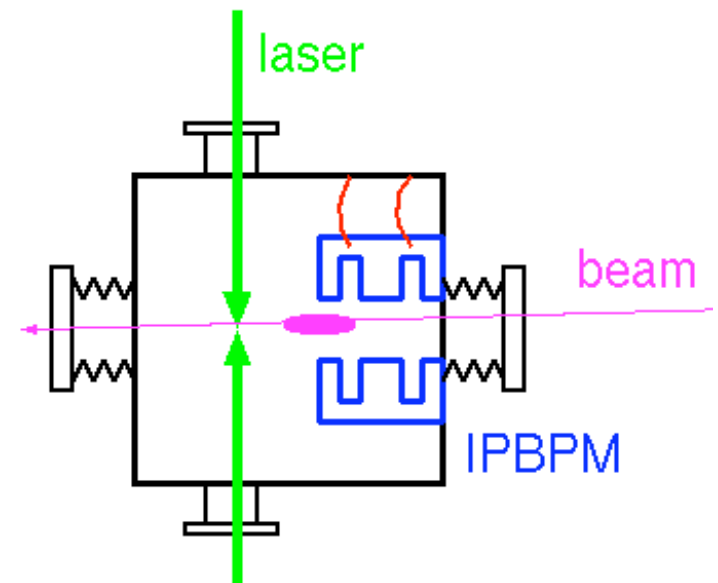
present status

- IP-BPM block
 - doublet cavity which is the minimal setup to have position and angle information
- two IP-BPM blocks
 - quartet cavity for resolution measurement
 - piezo mover introduces rigid body distortion for calibration
- alignment of the total
 - FFTB mover
 - a temporal spacer at present



R&D schedule

- Nov. 2006
 - installation
 - check basic characteristics (pulse shape, position sensitivity, angle sensitivity)
- Dec. 2006
 - commissioning with new electronics
 - phase detection with a reference cavity
 - 3-BPM system check (only for Y), electronics noise limit
- Jan.~Mar. 2007
 - install the alignment mover
 - attach the optical interferometer sensor to stabilize the system
- Apr.~Jun. 2007
 - install bunch length monitor
 - resolution test with the total system
- Oct.~Dec. 2007
 - continue resolution test after improvements
 - test new BPMs
 - low-Q design BPM (KNU)
 - IP-BPM dedicated for Shintake monitor
 - ODR location might be a candidate to test these



installation schedule

- Oct. 2008 ~ Mar. 2009
 - beam line commissioning
 - Shintake monitor commissioning
 - continue IP-BPM development at the device test section
- Apr. 2009 ~
 - move to IP area
 - a new alignment mover is needed because the FFTB mover will be used for a magnet
 - IP-BPM mode
 - shift the IP at the center of IPBPM quartet
 - Shintake mode
 - calibrate (check resolution) BPM inside the collision chamber using the IPBPM

