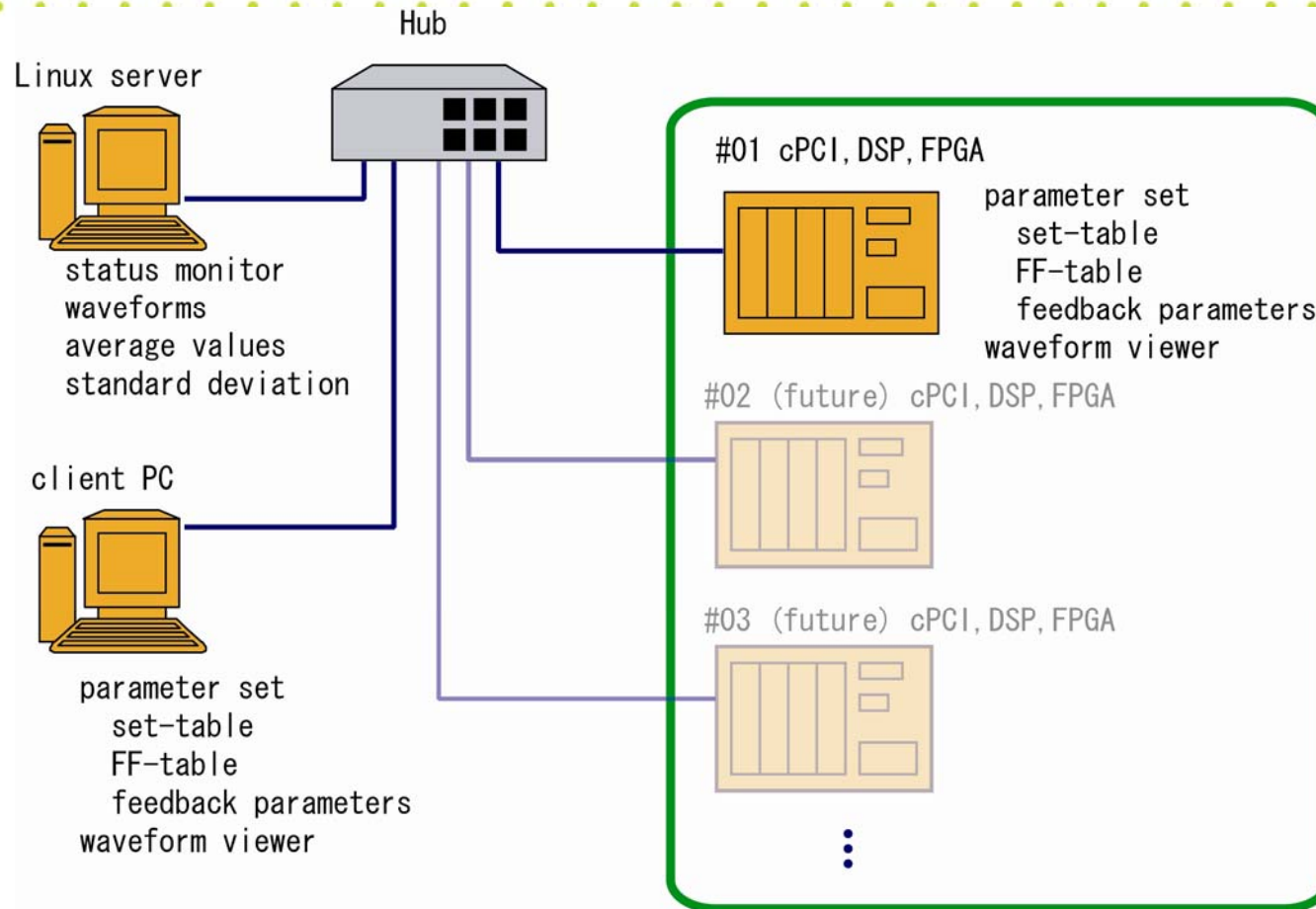




Status of Control/LLRF at KEK-STF

Shin MICHIZONO, KEK

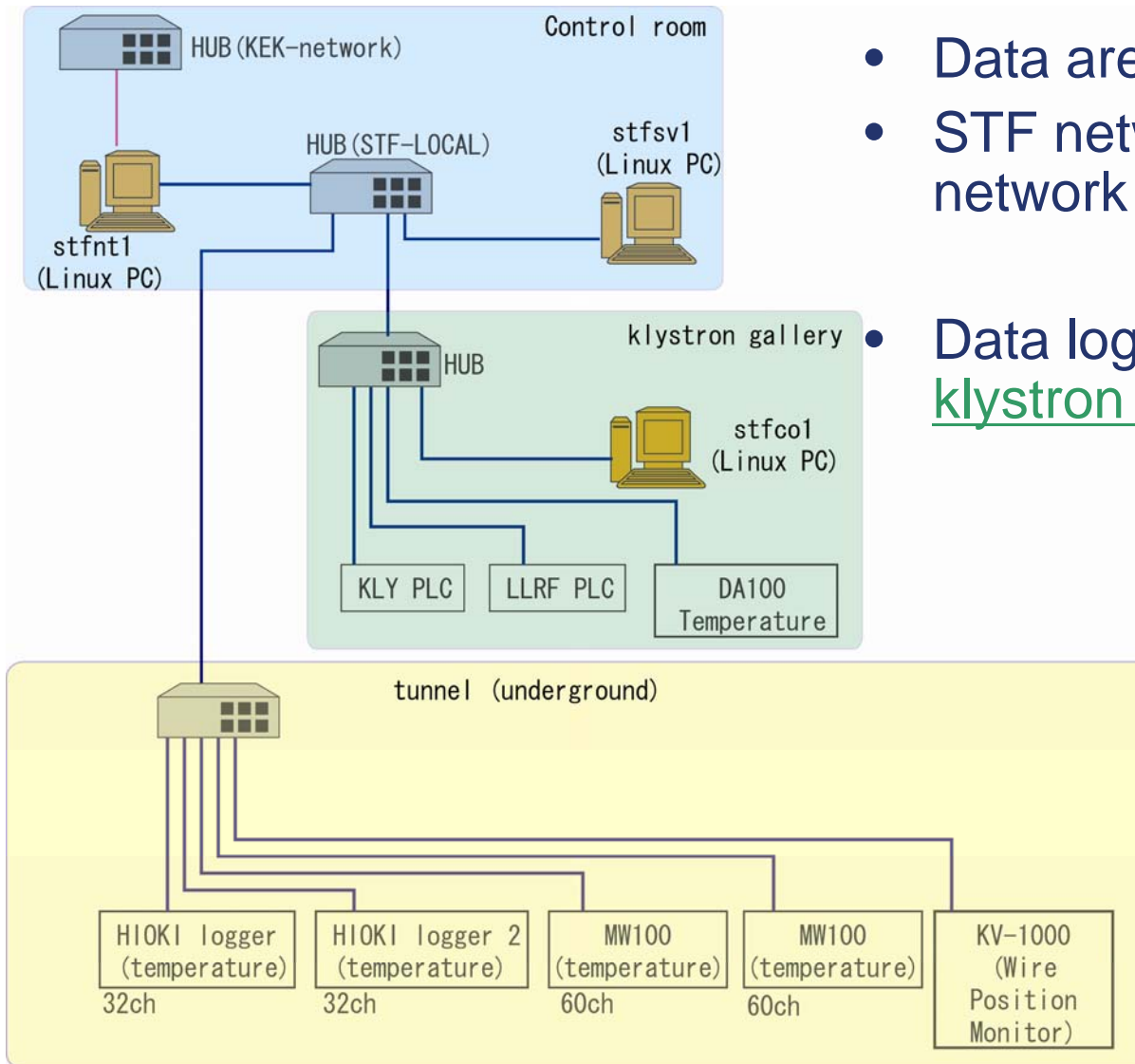
LLRF data acquisition network



- Some cPCIs can connect to the network.
- Linux server (CORBA name-server) stores all the data.
- Client PC (CORBA client) can monitor the waveform, status and can change FB parameters.



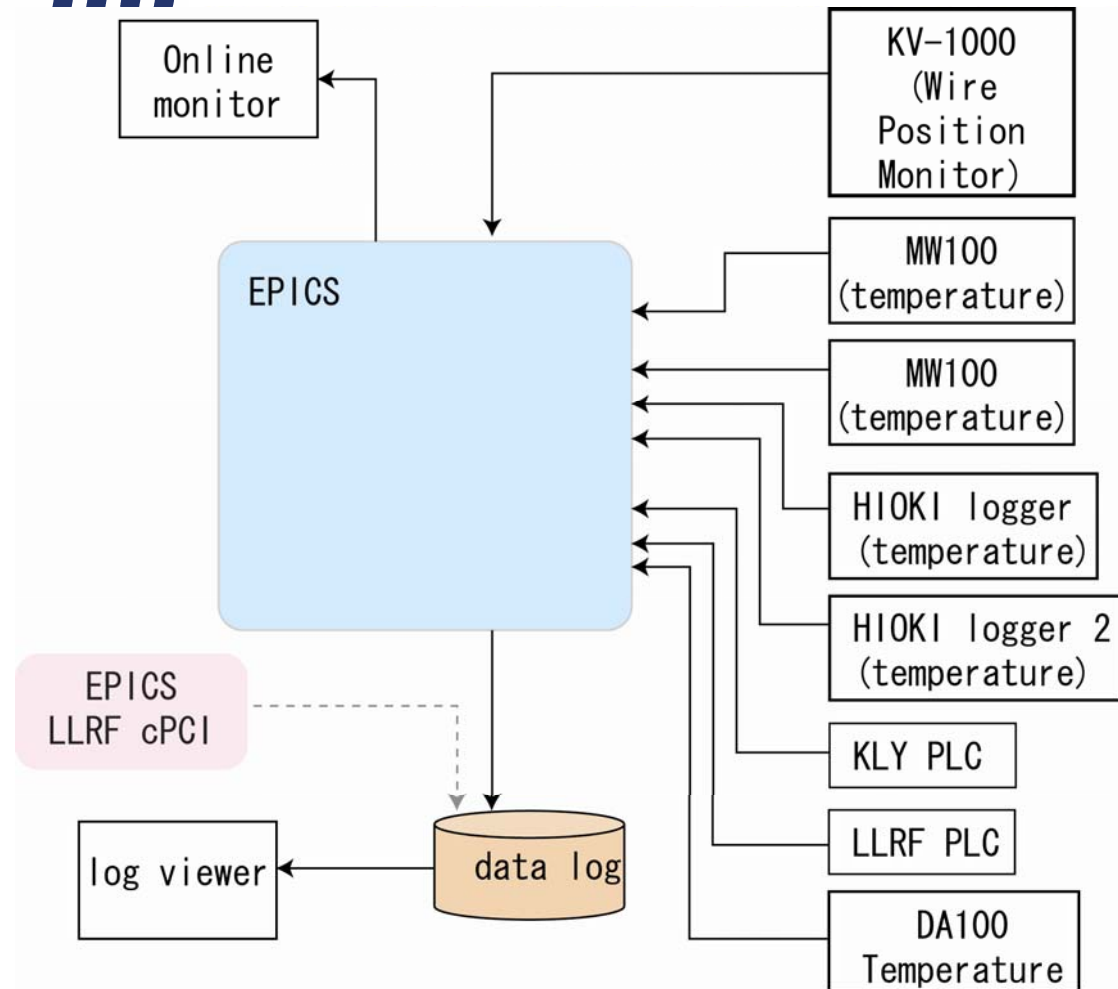
KEK-STF control configuration



- Data are stored in linux server.
- STF network is isolated from KEK network (for operational safety).
- Data logger are located both klystron gallery and underground.



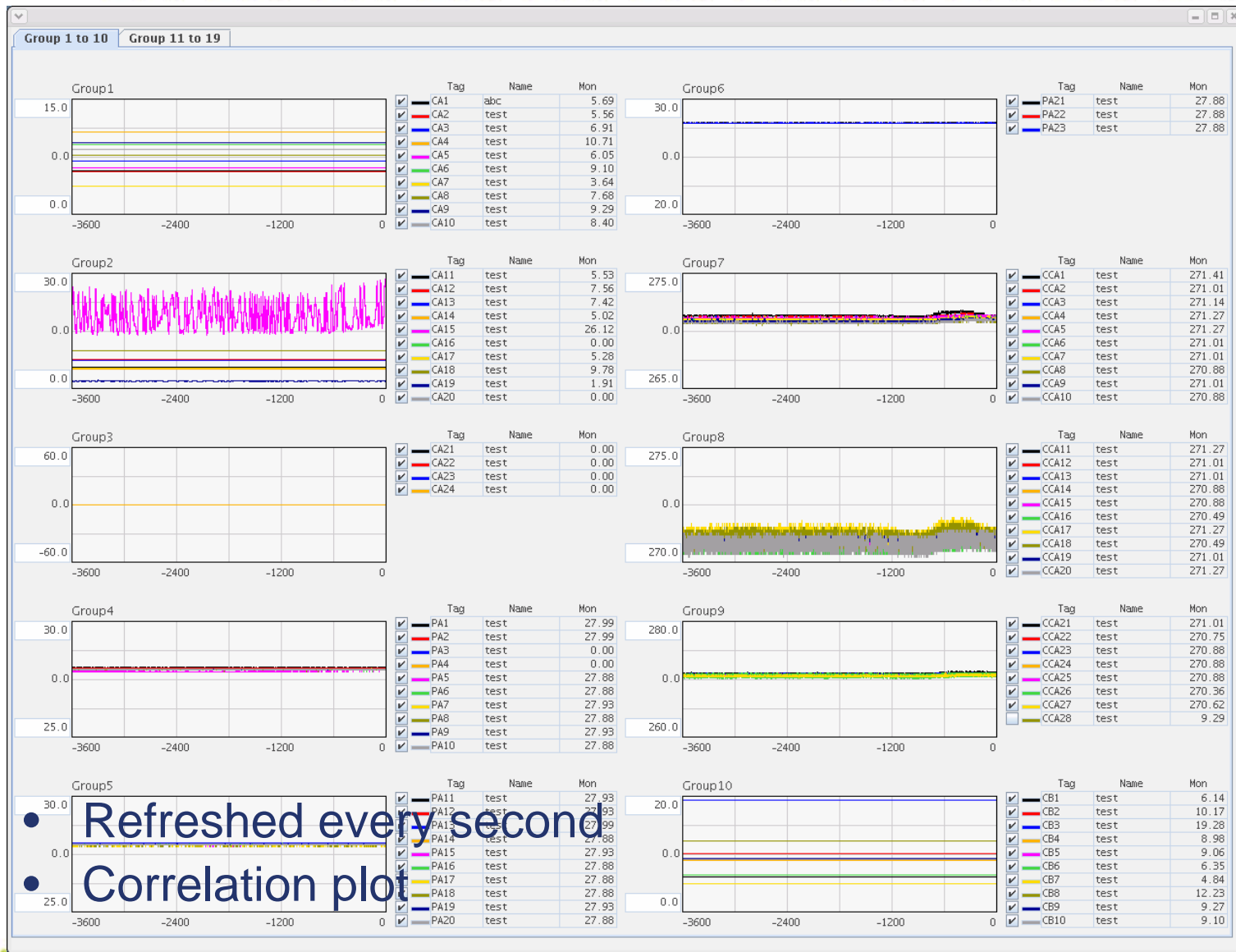
KEK-STF control configuration

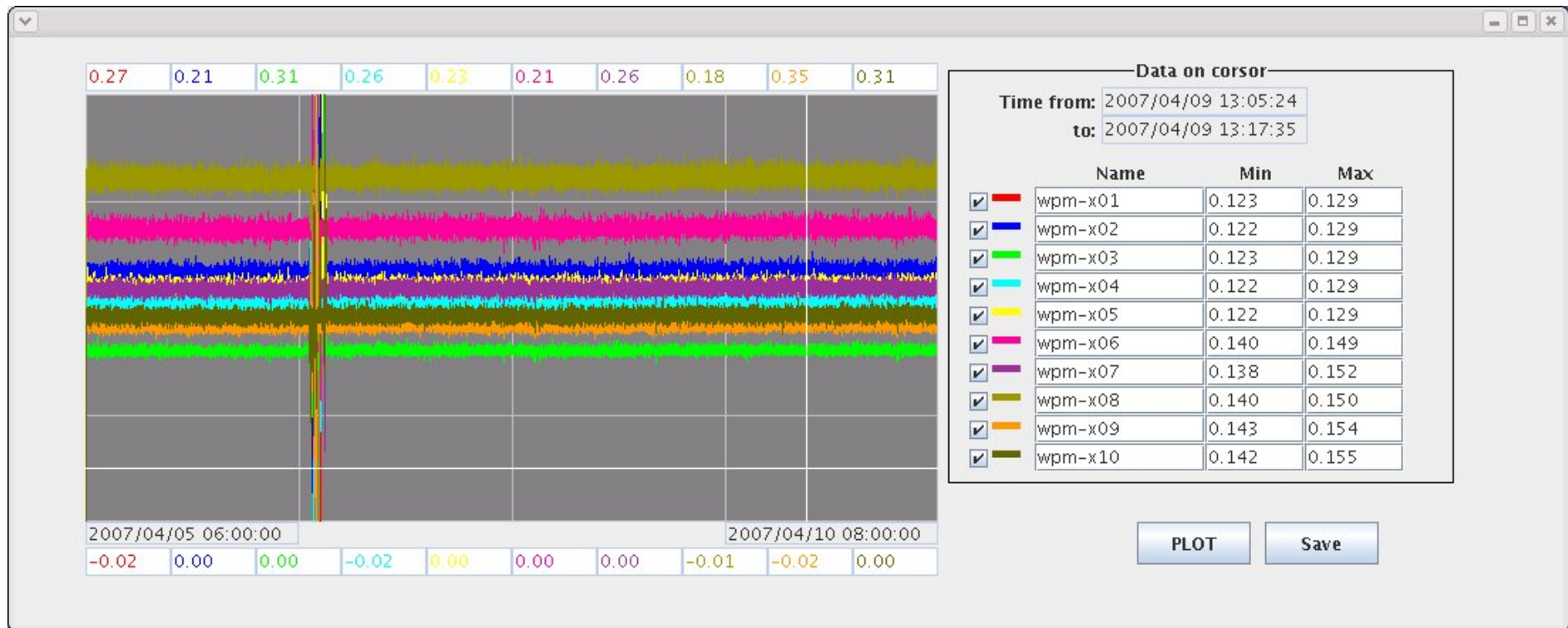


- EPICS installed to the data server
- Linux server acts as EPICS IOC
- cPCI will be EPICS IOC this year.



Online monitor





- Data in the EPICS server can be restored and used for the operation analysis.