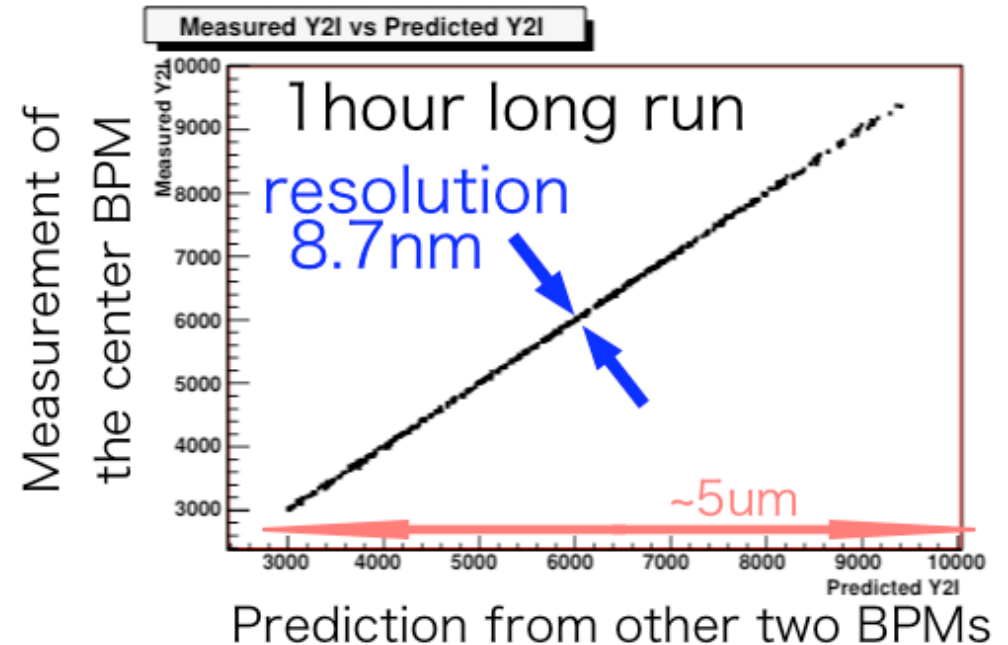
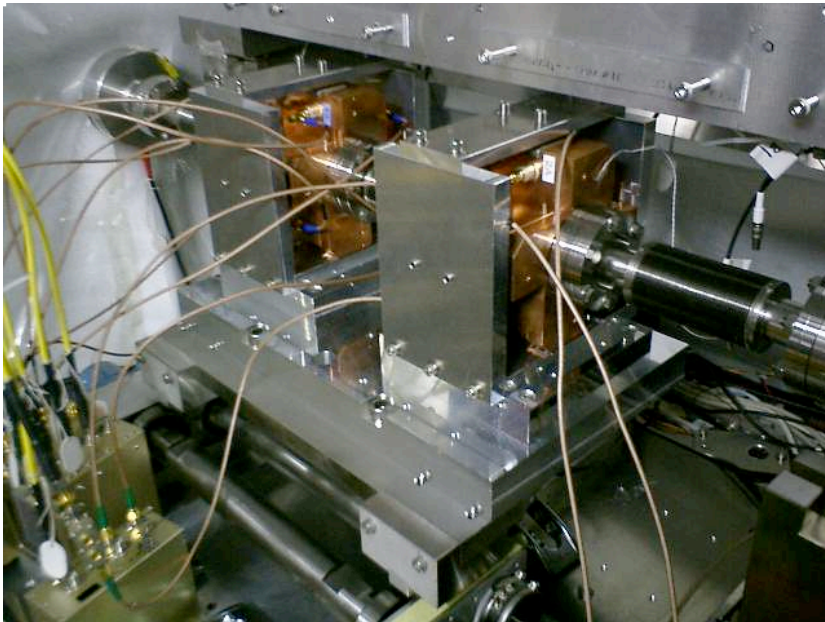


IPBPM schedule

Y.Honda
2007/May./31
ATF2 project meeting

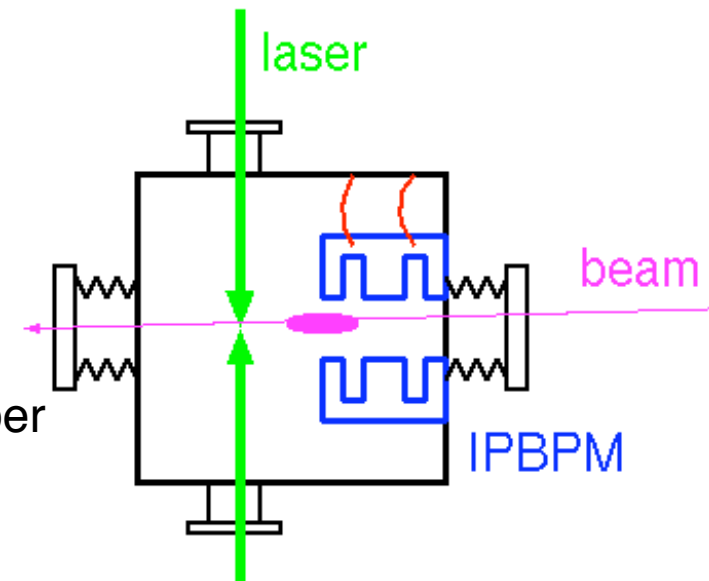
present status

- proved resolution
 - 8.72 ± 0.28 (stat.) ± 0.35 (sys.) nm
 - intensity: 0.7×10^{10} e/bunch
 - dynamic range: 5 μ m
- electronics noise limit
 - 5.14 nm (at 0.7×10^{10} e/bunch)
- unknown noise: 7.0 nm



R&D at existing ext.line

- improve resolution with the present setup
 - attach an optical interferometer sensor to stabilize the system
 - install bunch length monitor to check bunch length correlation
 - higher beam intensity
- misc. study
 - 3-bunch mode
 - test in strong focusing optics
- participation of SLAC group?
 - electronics
- new IP-BPM being developed by KNU group
 - shorter decay time for multi-bunch mode
 - may be possible to produce a fast feedback signal
 - hot model installation in ext.line (Oct.2007~)
 - location: in the existing IP-BPM hut
- integration in BSM
 - required resolution has been proved
 - integrate one with the same design in the BSM chamber
 - test at extraction line, if needed.
 - what is the plan of the ODR location?



ATF2 installation schedule

- Oct. 2008 ~ Mar. 2009
 - beam line commissioning
 - Shintake monitor commissioning
 - continue IP-BPM development at the device test section
- Apr. 2009 ~
 - move to IP area
 - IP-BPM mode
 - shift the IP at the center of IPBPM
 - Shintake mode
 - calibrate (check resolution) BPM inside the collision chamber using the IPBPM

