

IR Engineering Design

Continuing Thoughts

John Amann

ILC Mechanical Engineering

01/30/07

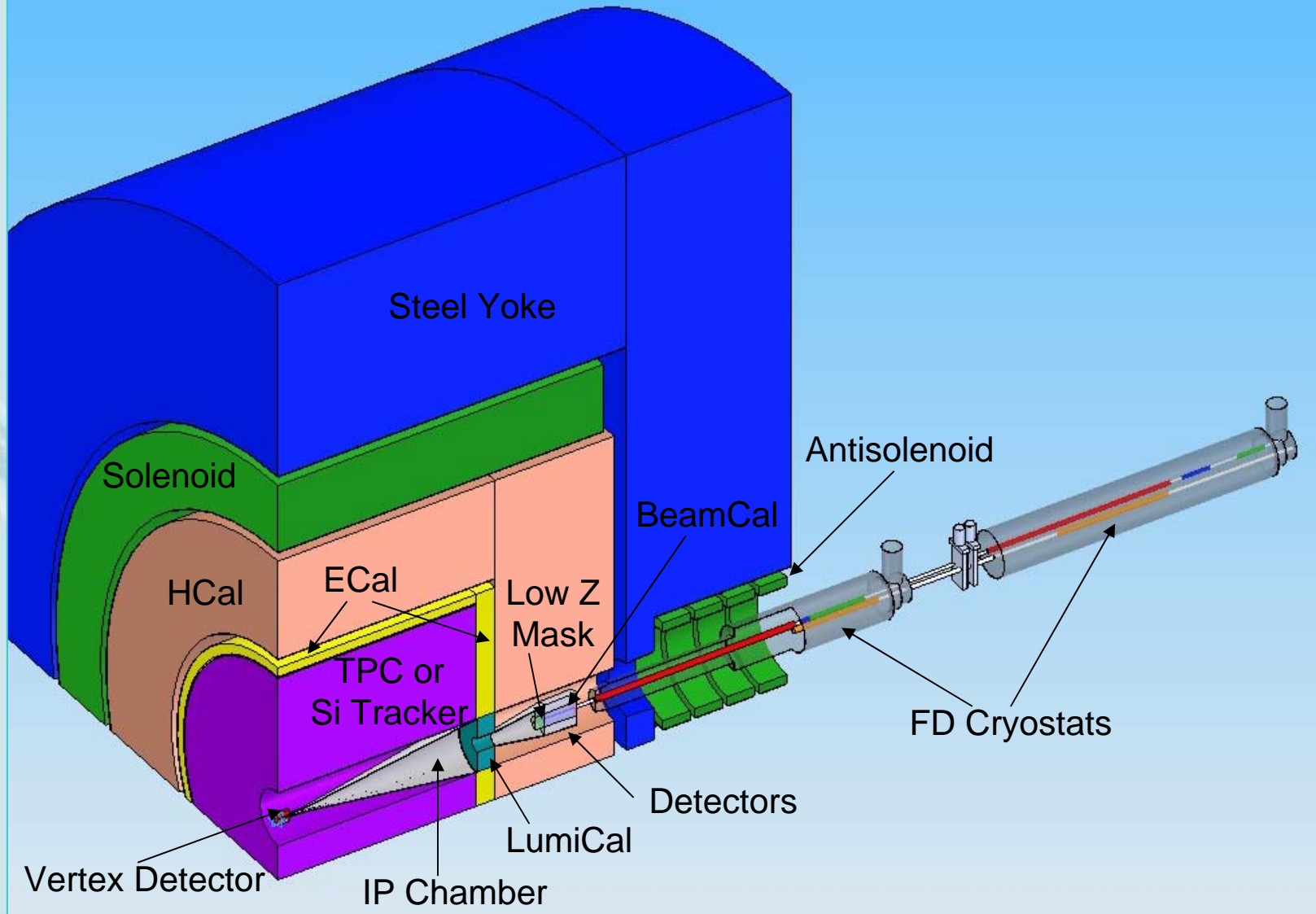


SLAC



International Linear Collider
at Stanford Linear Accelerator Center

Generic Detector Concept - IR Details

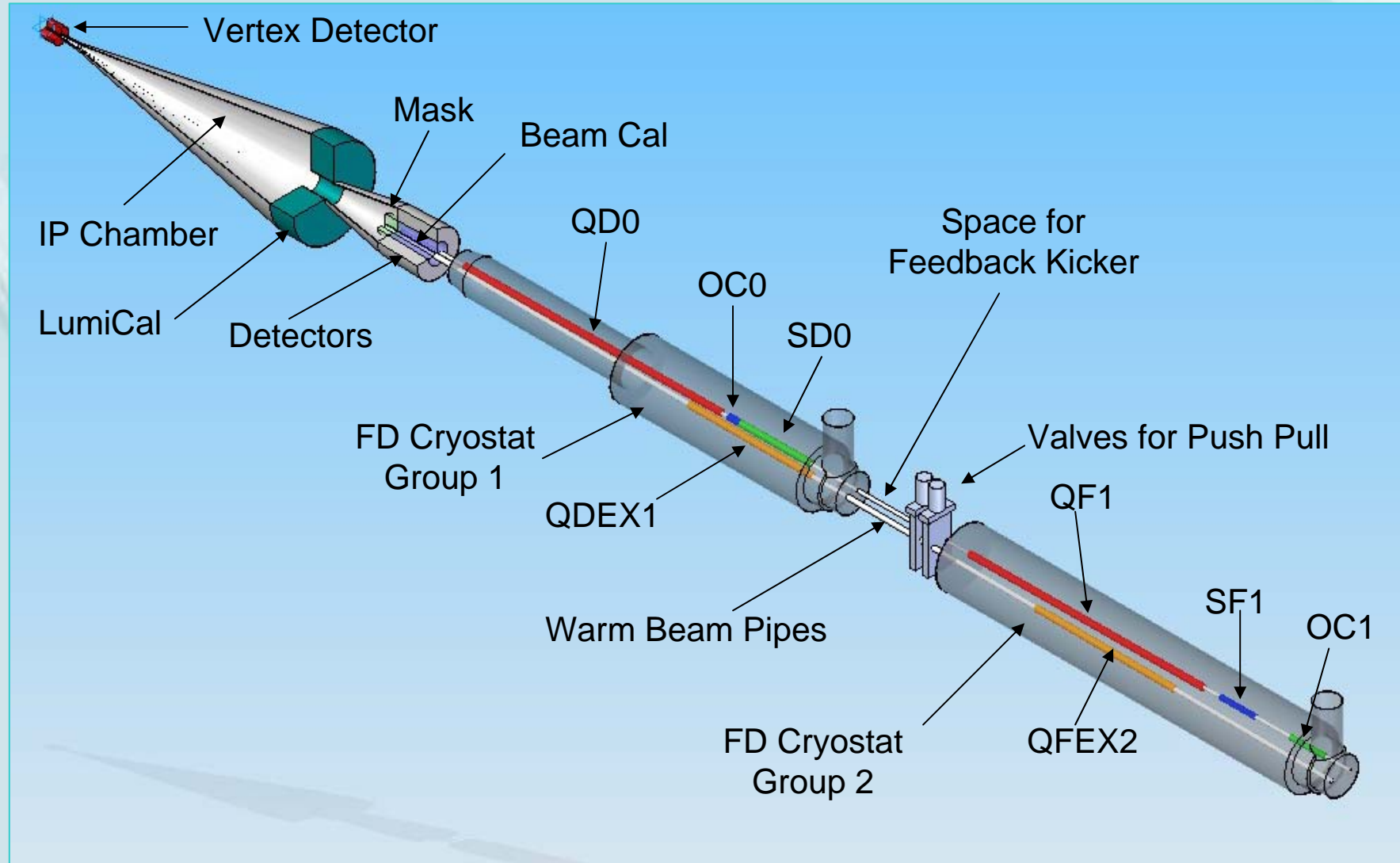


SLAC



International Linear Collider
at Stanford Linear Accelerator Center

Vertex Chamber and FD Cryostat Details

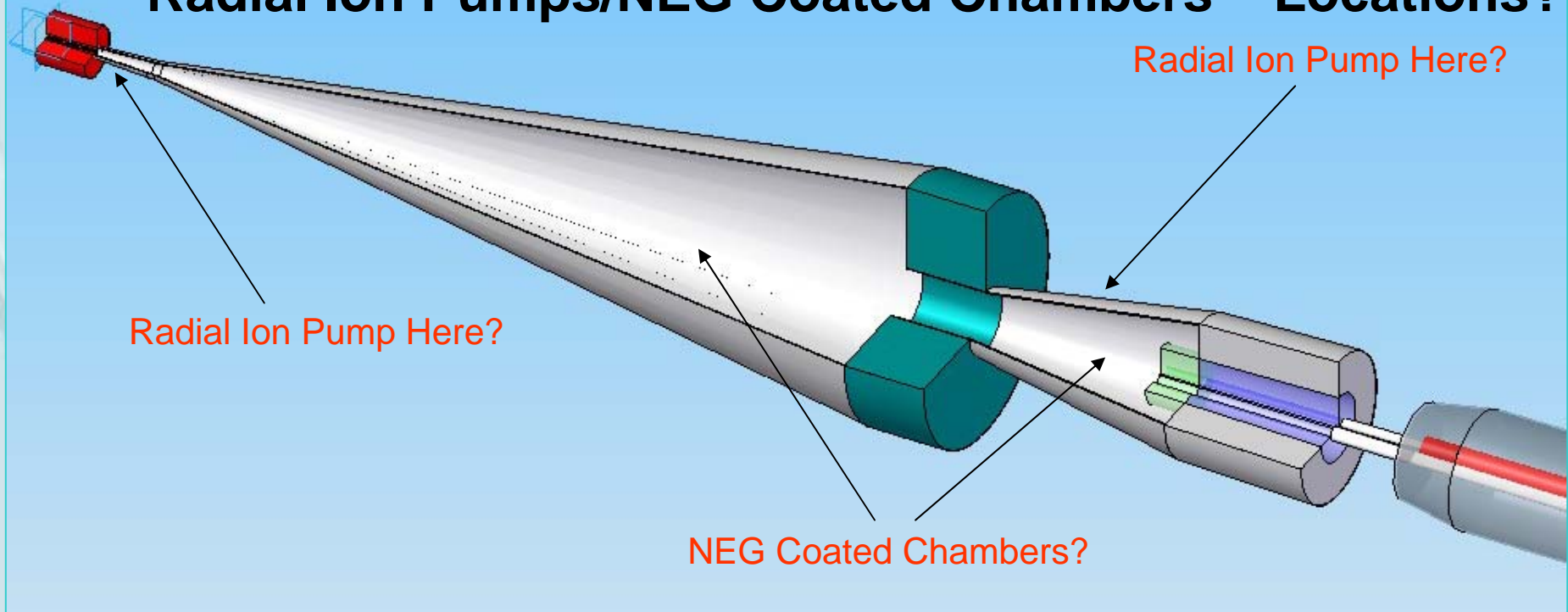


SLAC

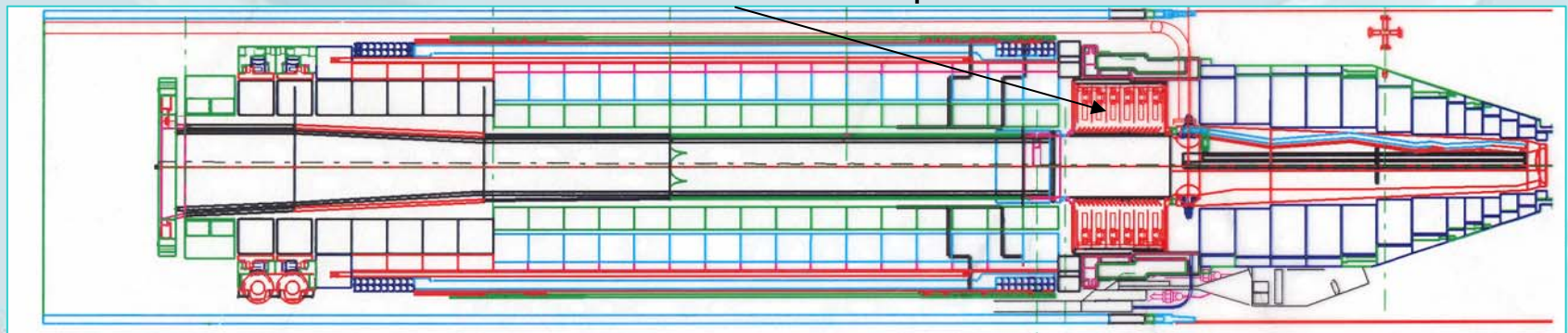


International Linear Collider
at Stanford Linear Accelerator Center

Radial Ion Pumps/NEG Coated Chambers – Locations?



PEP-II Radial Ion Pump

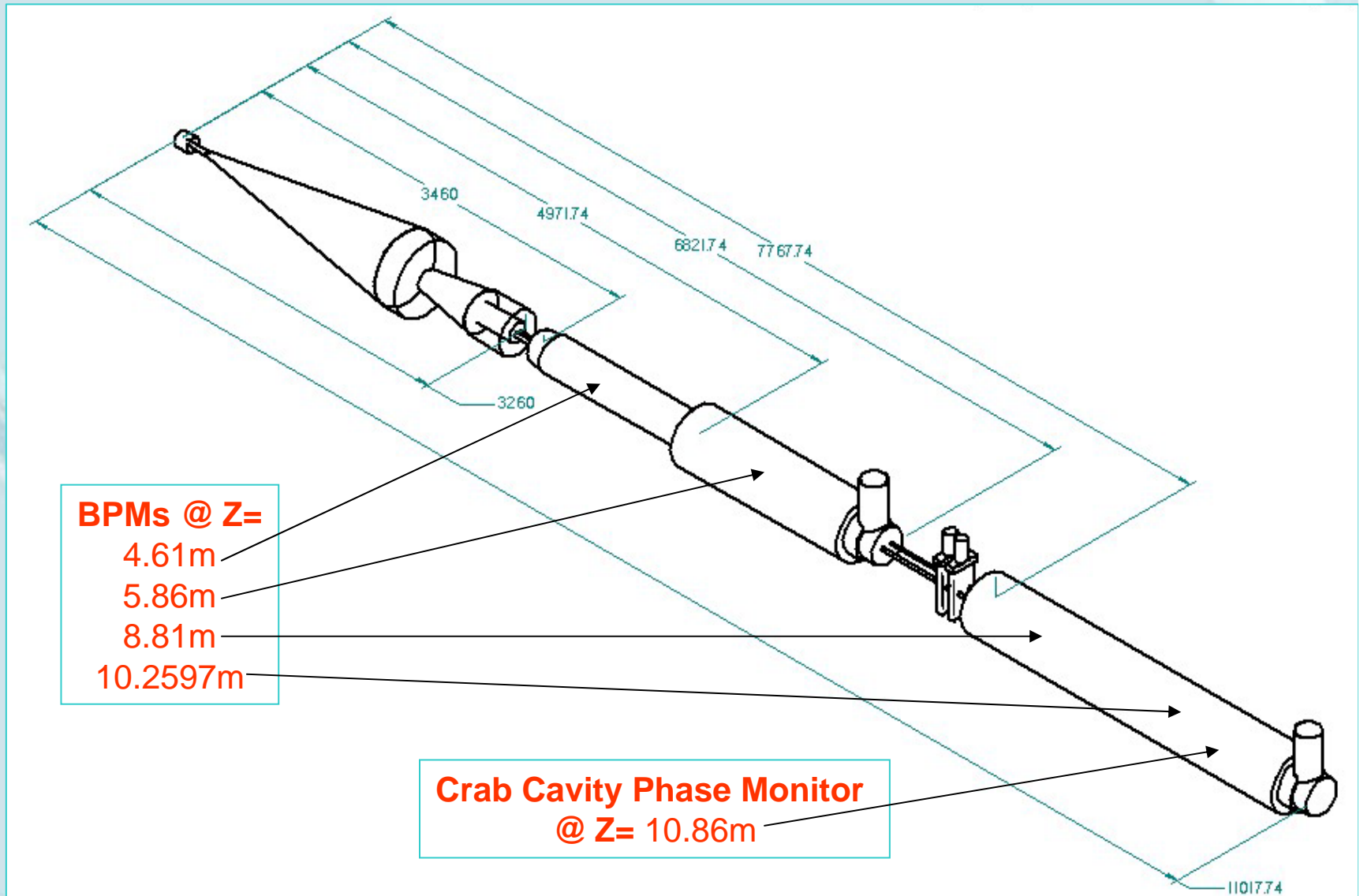


SLAC



International Linear Collider
at Stanford Linear Accelerator Center

BPM Locations (from Woodley's list)?



SLAC



International Linear Collider
at Stanford Linear Accelerator Center