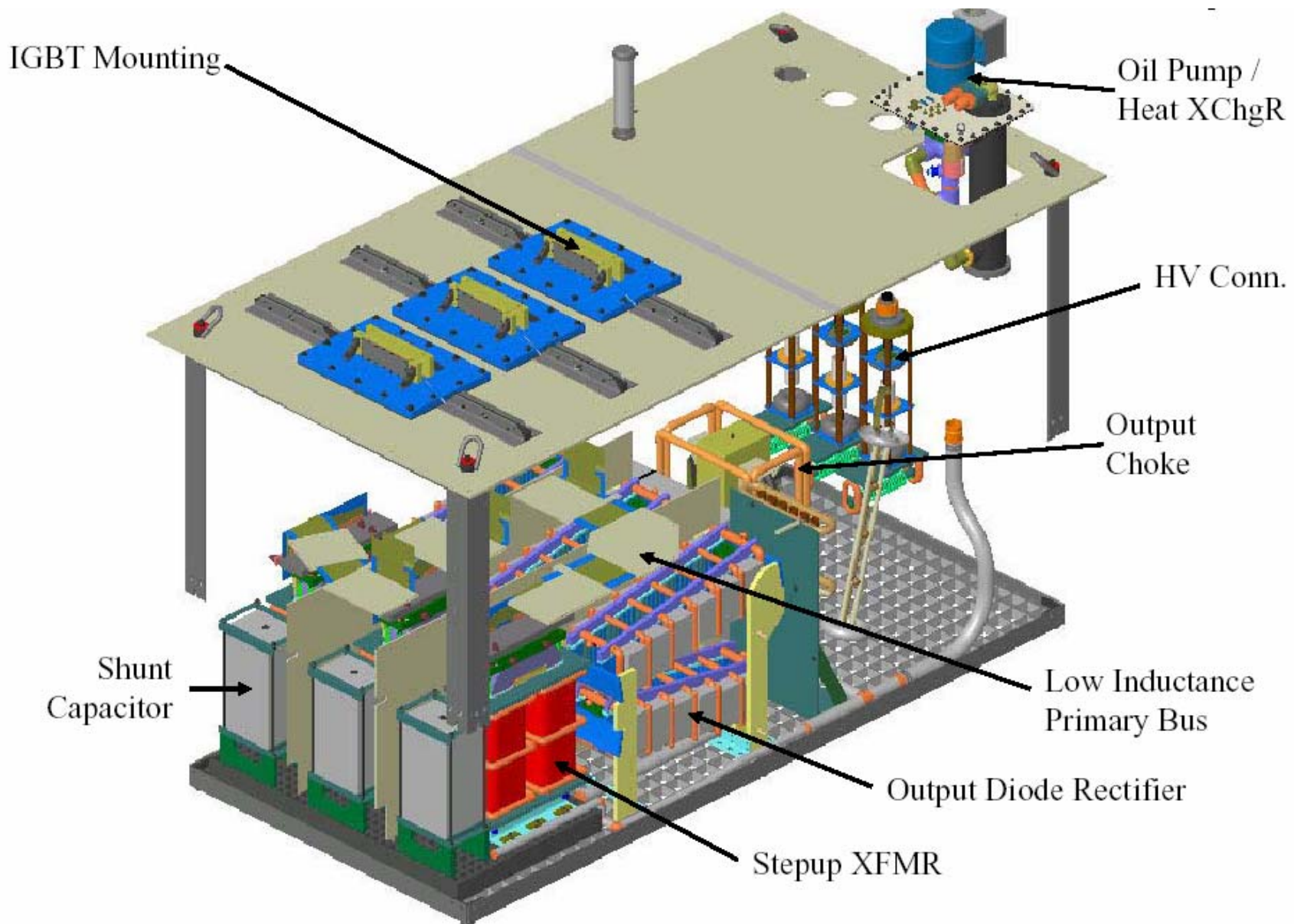


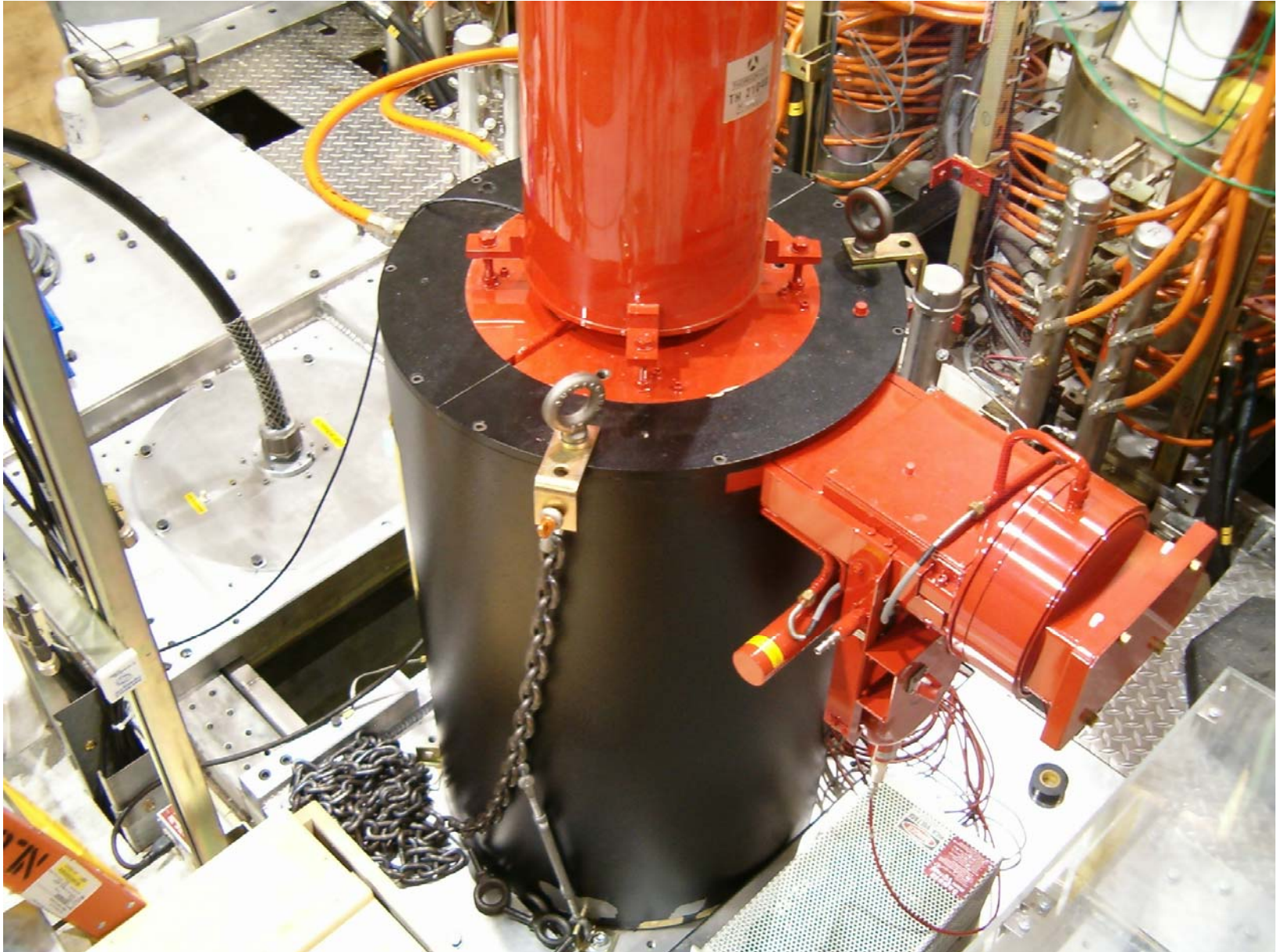
# SNS HVCM Modulator



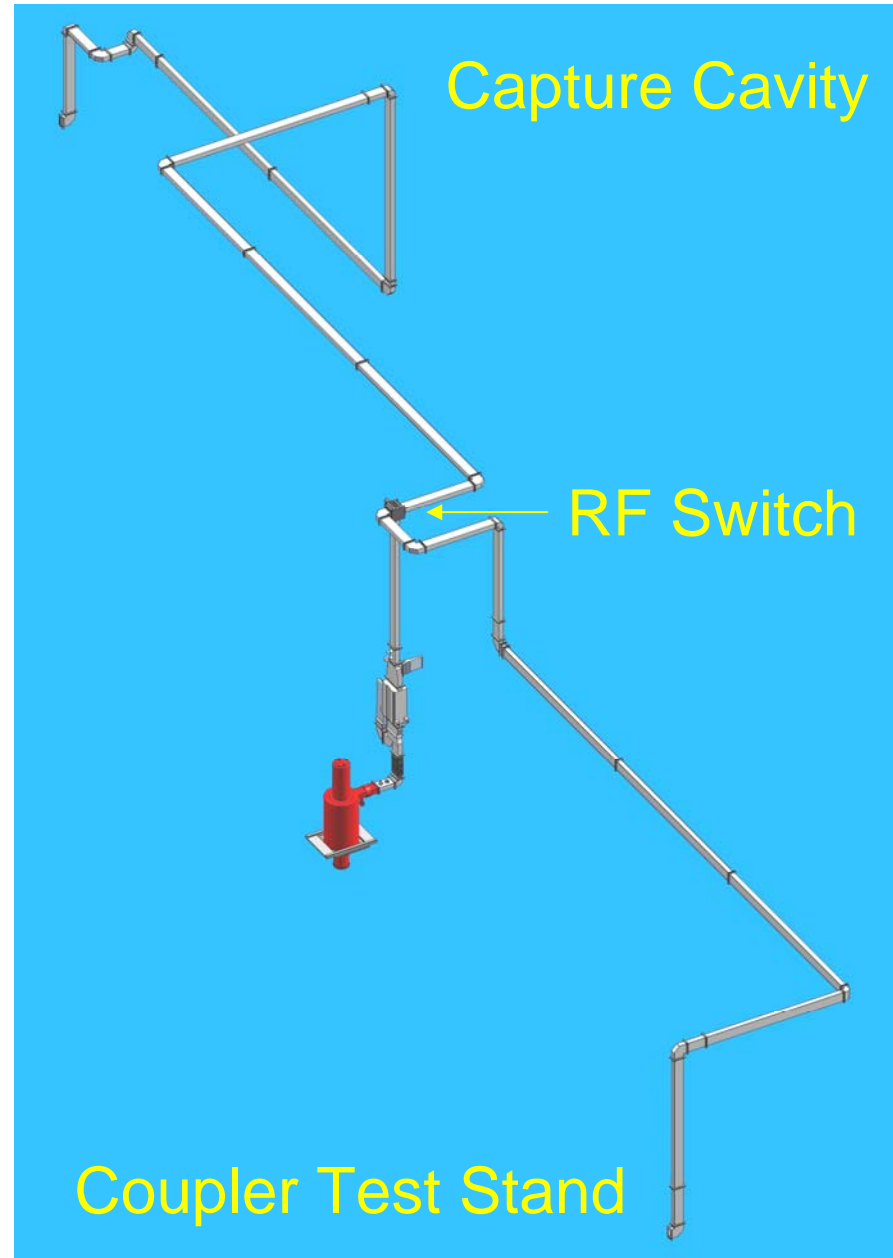
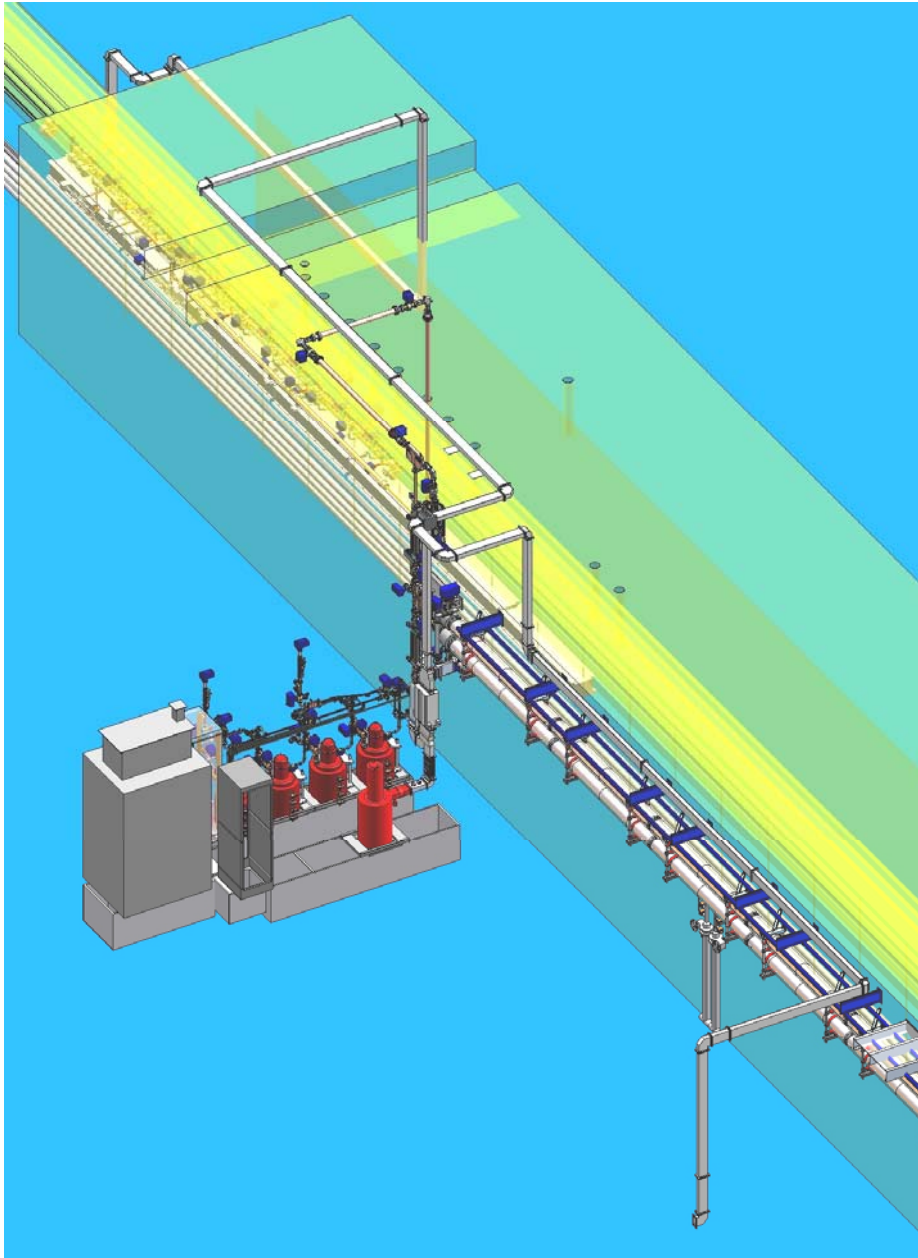




# Resistive Load and TH2104U Klystron

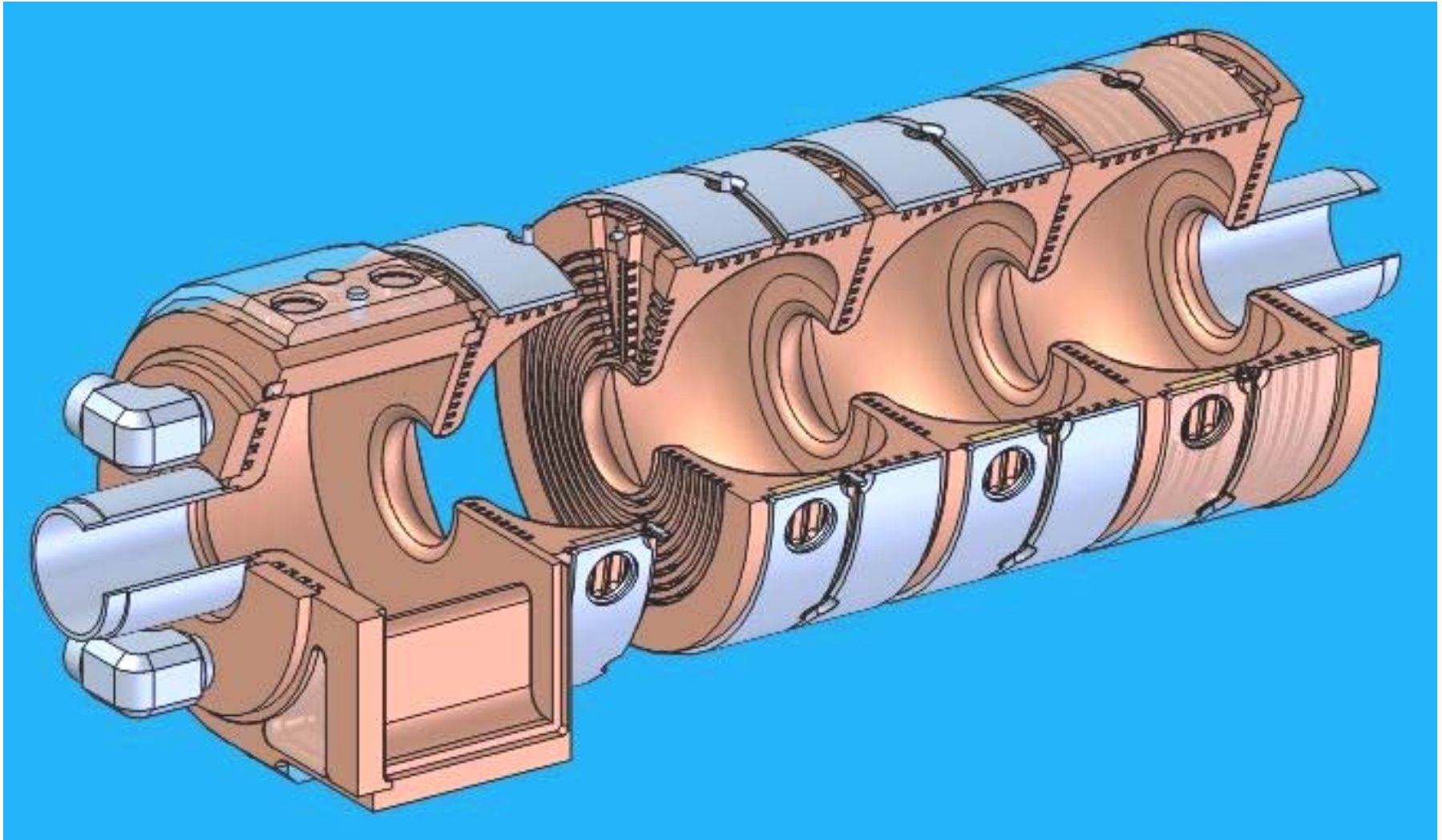


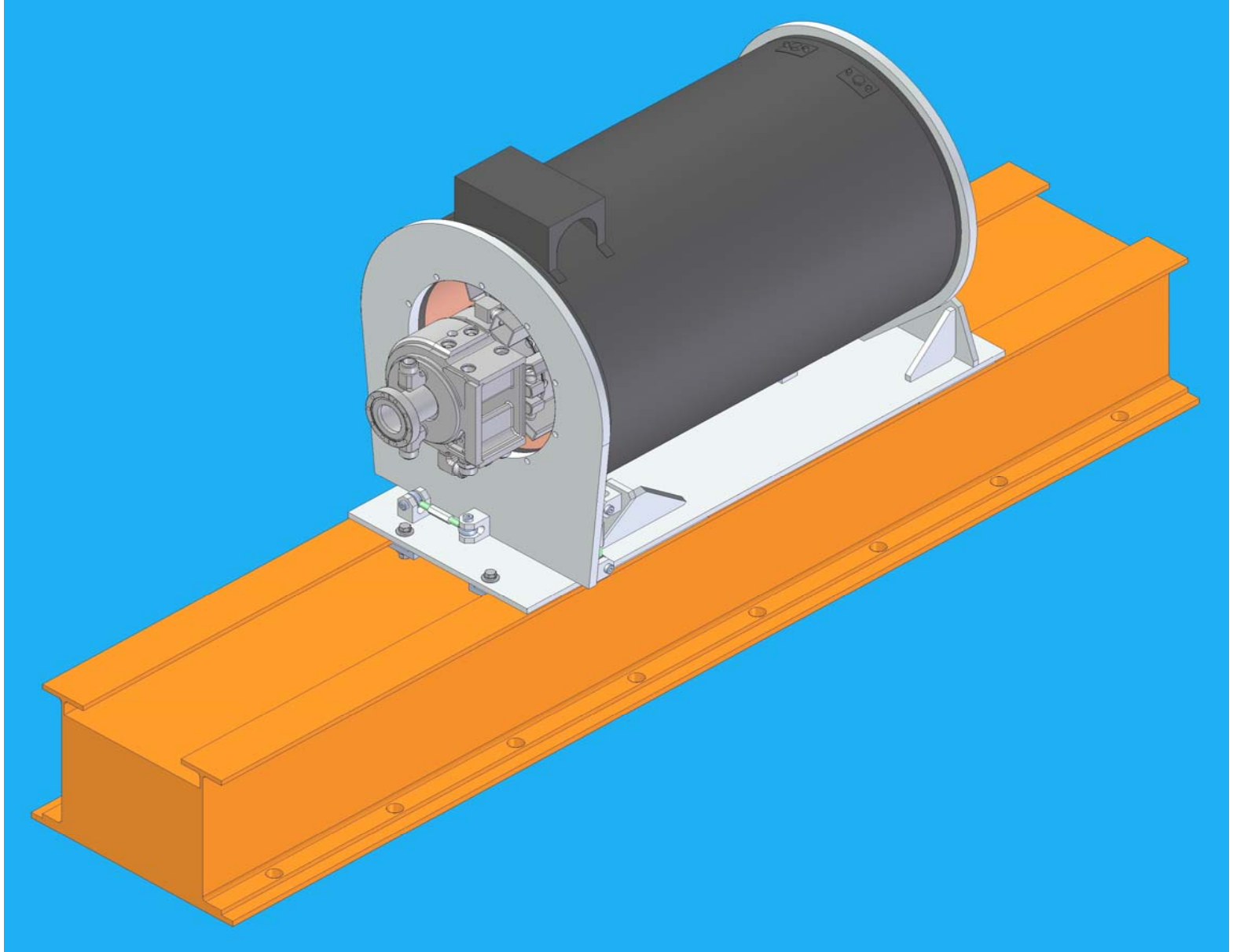
# Waveguide Distribution





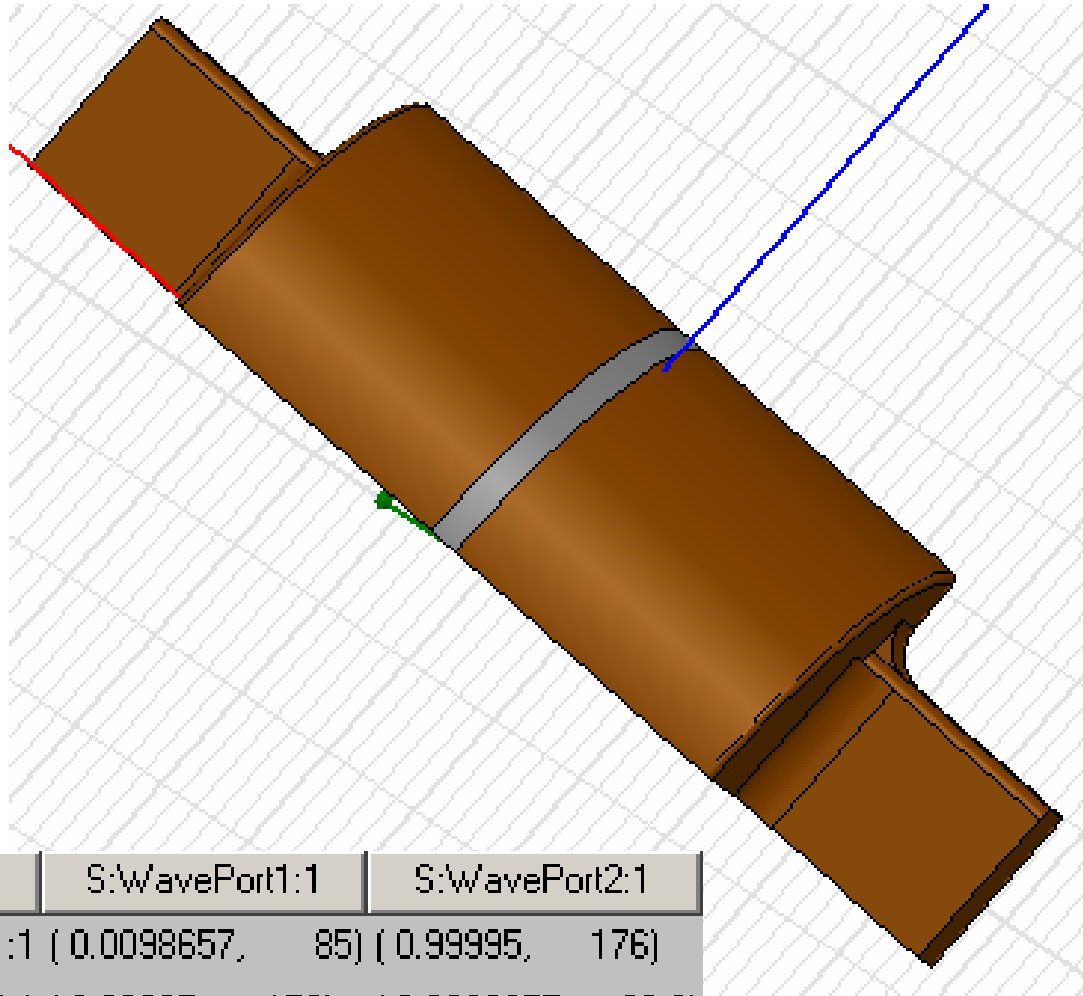
# ILC Positron Capture Cavity Prototype





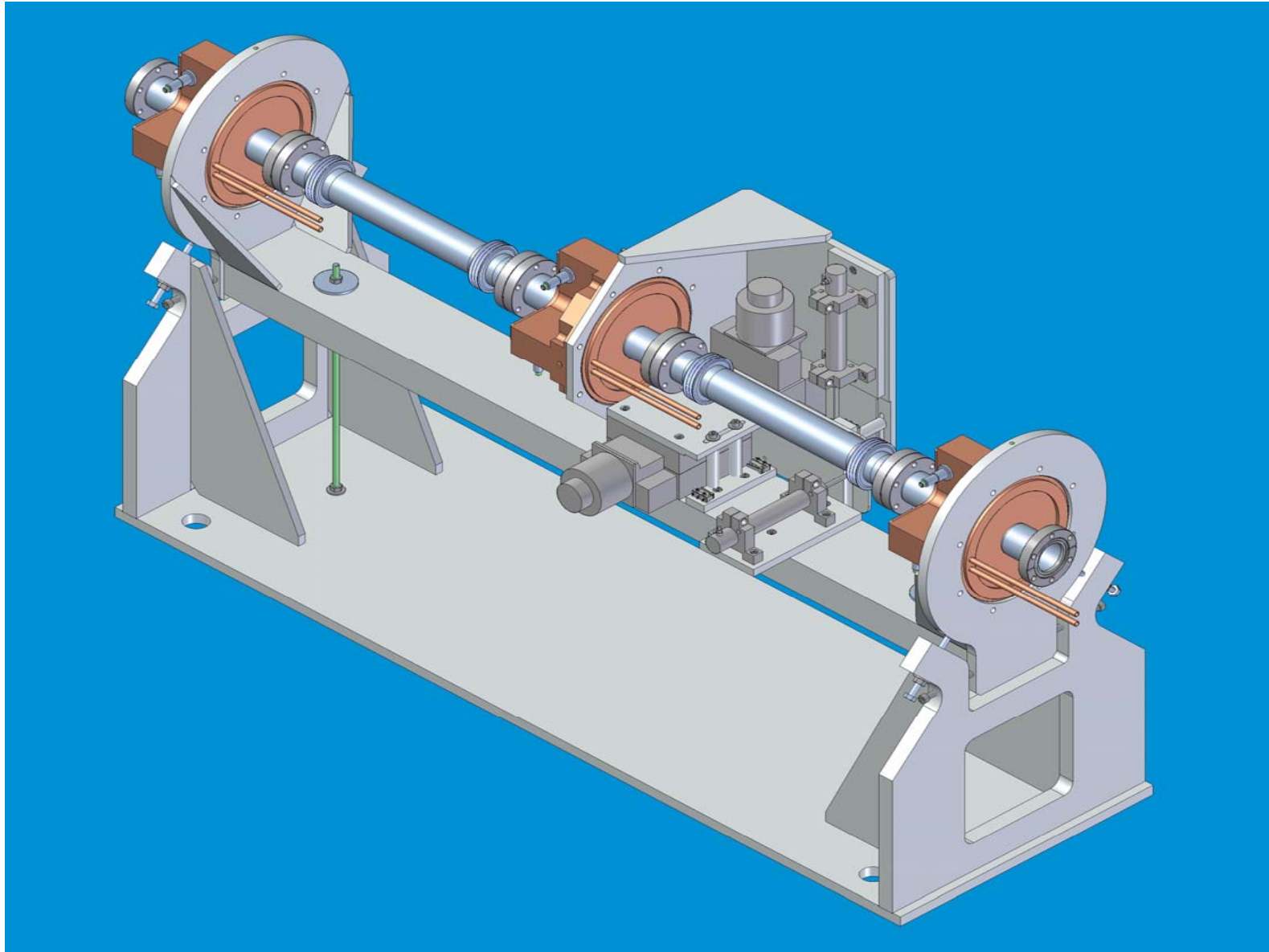
# SLAC L-Band Window Design

Ffund=1.3 GHz; Rguide=128mm; Rcer = 128mm; Tcer =13.6 mm;  
Total L=301.6mm, epsilon=9.3



Freq	S:WavePort1:1	S:WavePort2:1
1.3 [GHz]	WavePort1:1 ( 0.0098657, 85)	( 0.99995, 176)
	WavePort2:1 ( 0.99995, 176)	( 0.0098657, 86.2)

# Prototype ILC Linac BPMs (S-Band Cavities)





# Cryostat for CIEMAT Prototype ILC SC Quad

