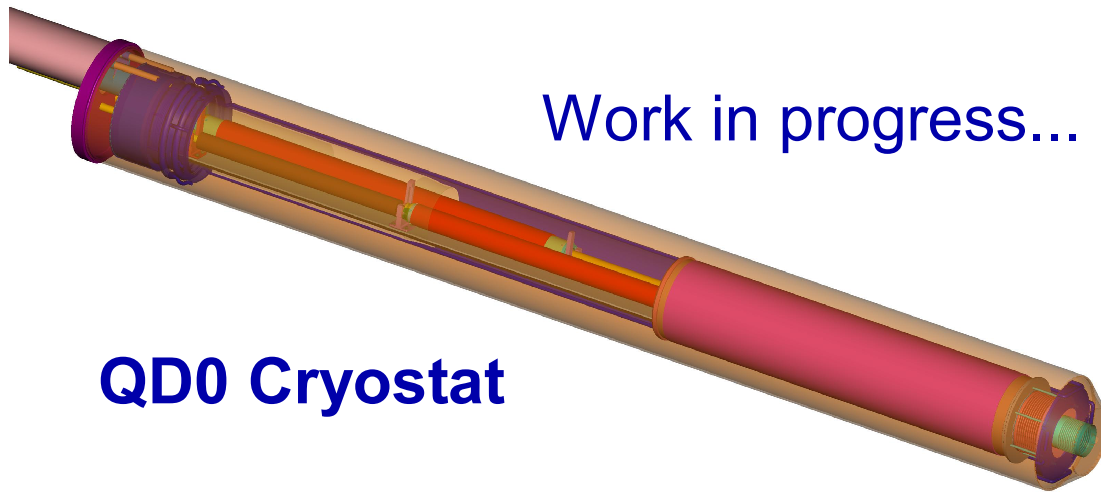




Cryostat Size Update: 16-Aug-07

as reported by
Brett Parker, BNL

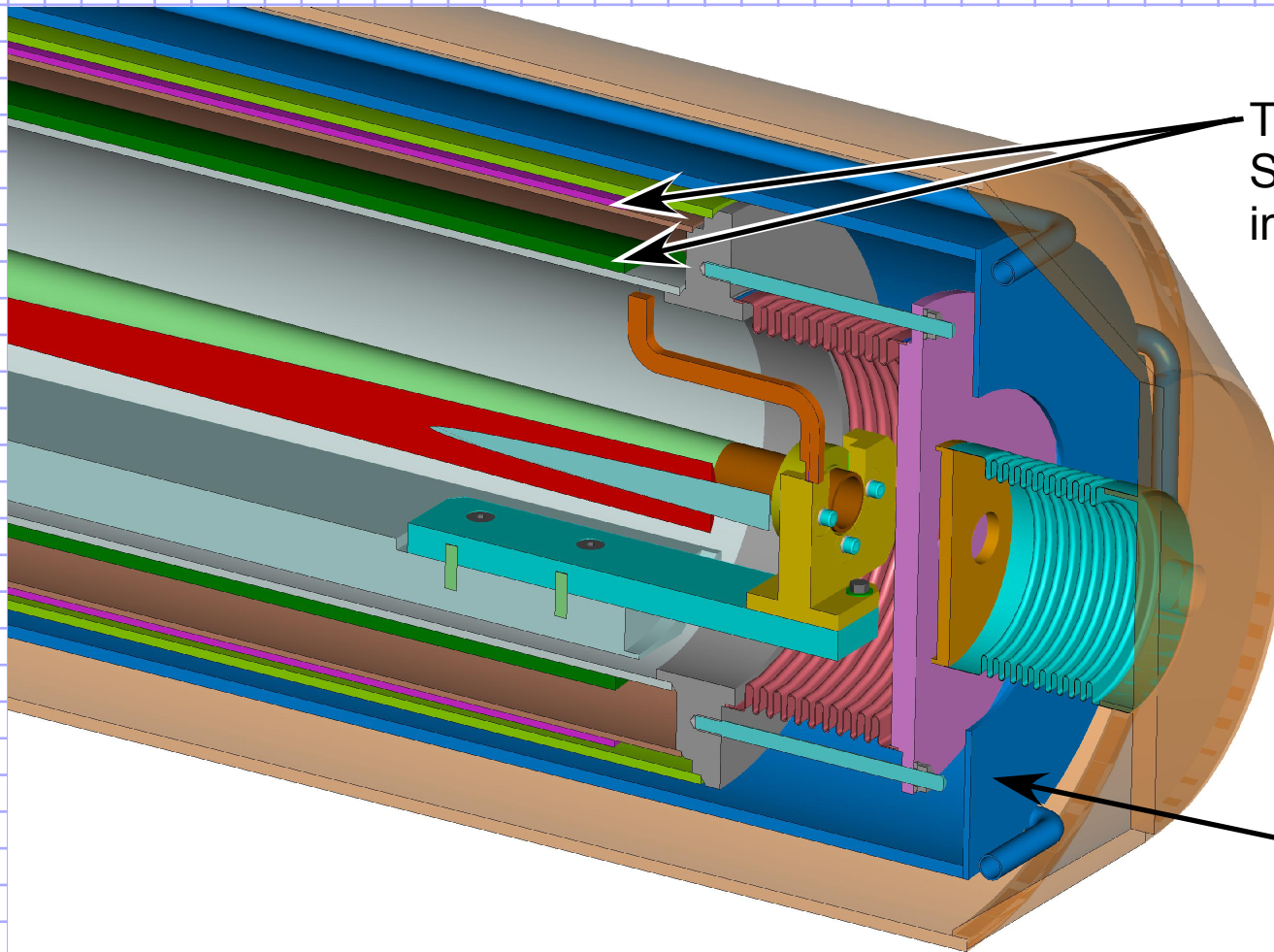


QD0 Cryostat

- Get rid of (minimize) the “step” at cryostat lead end.
- Integrate Force Neutral Anti-Solenoid into cold mass.
- Revise size of connection line to the service cryostat.



QD0 Cryostat: View at IP End.

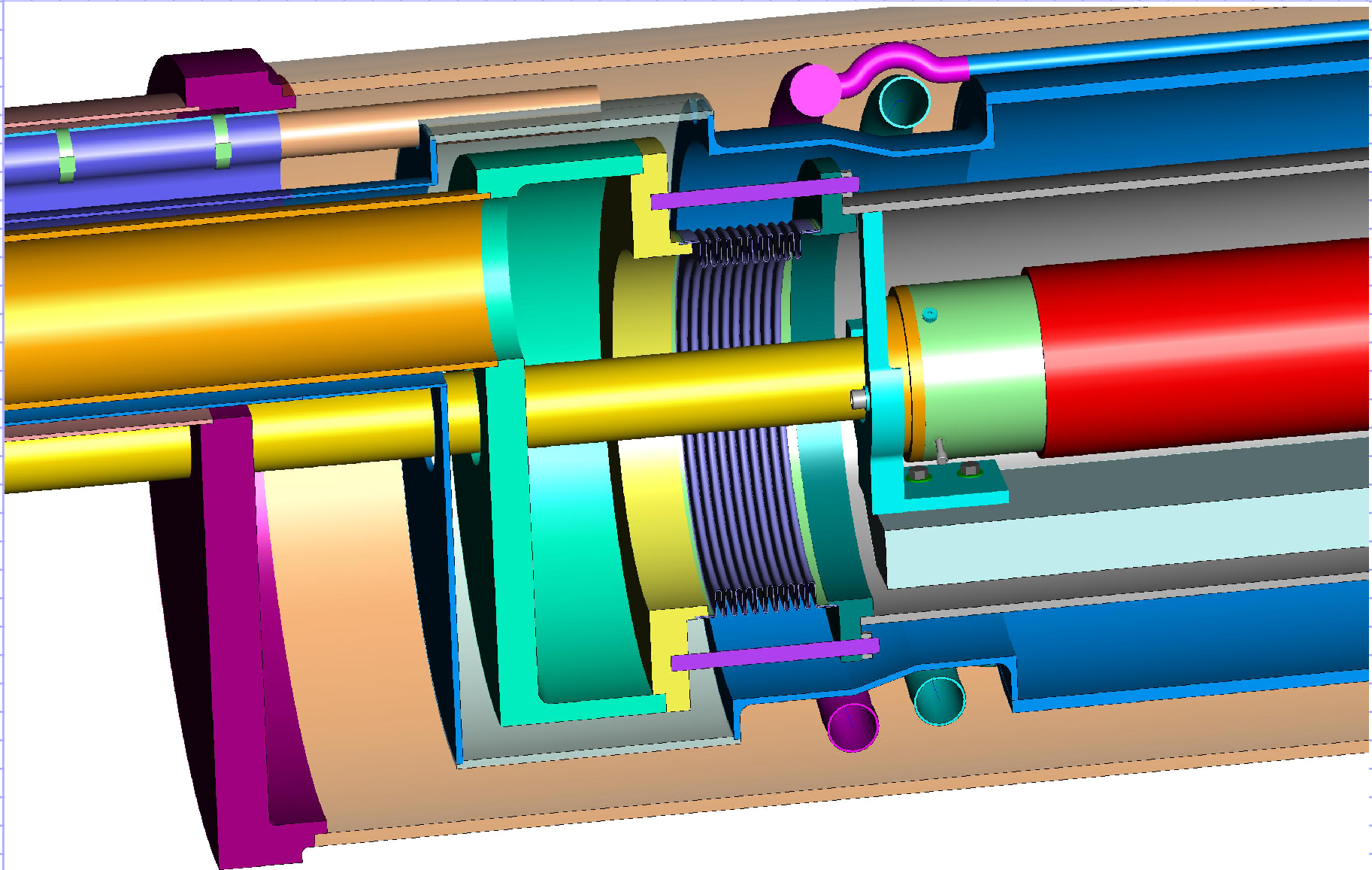


The Force Neutral Anti-Solenoid is now integrated into the 2 K cold mass.

The revised 5 K heat shield design.

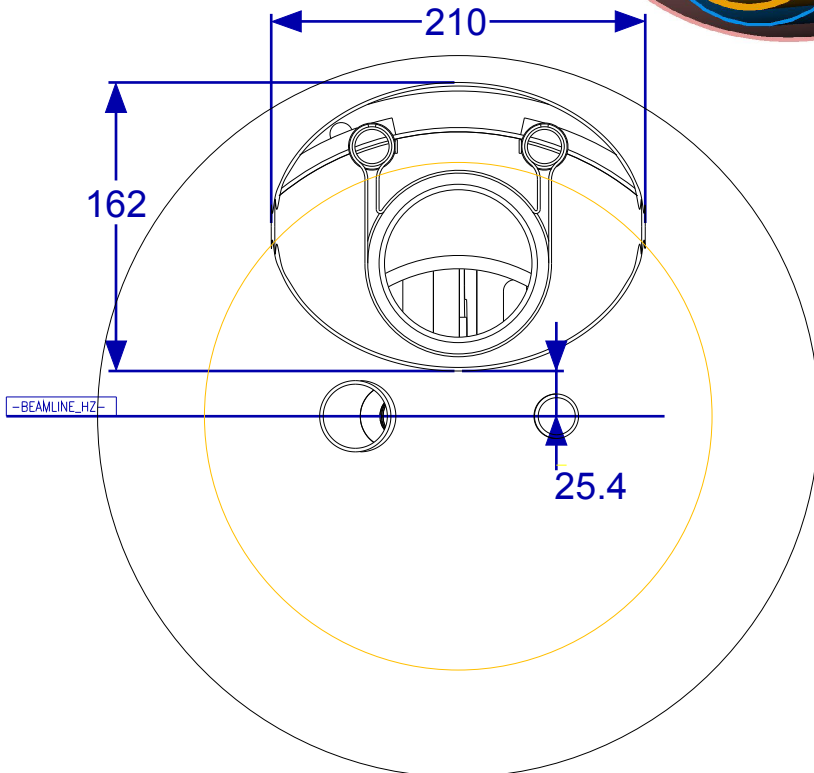
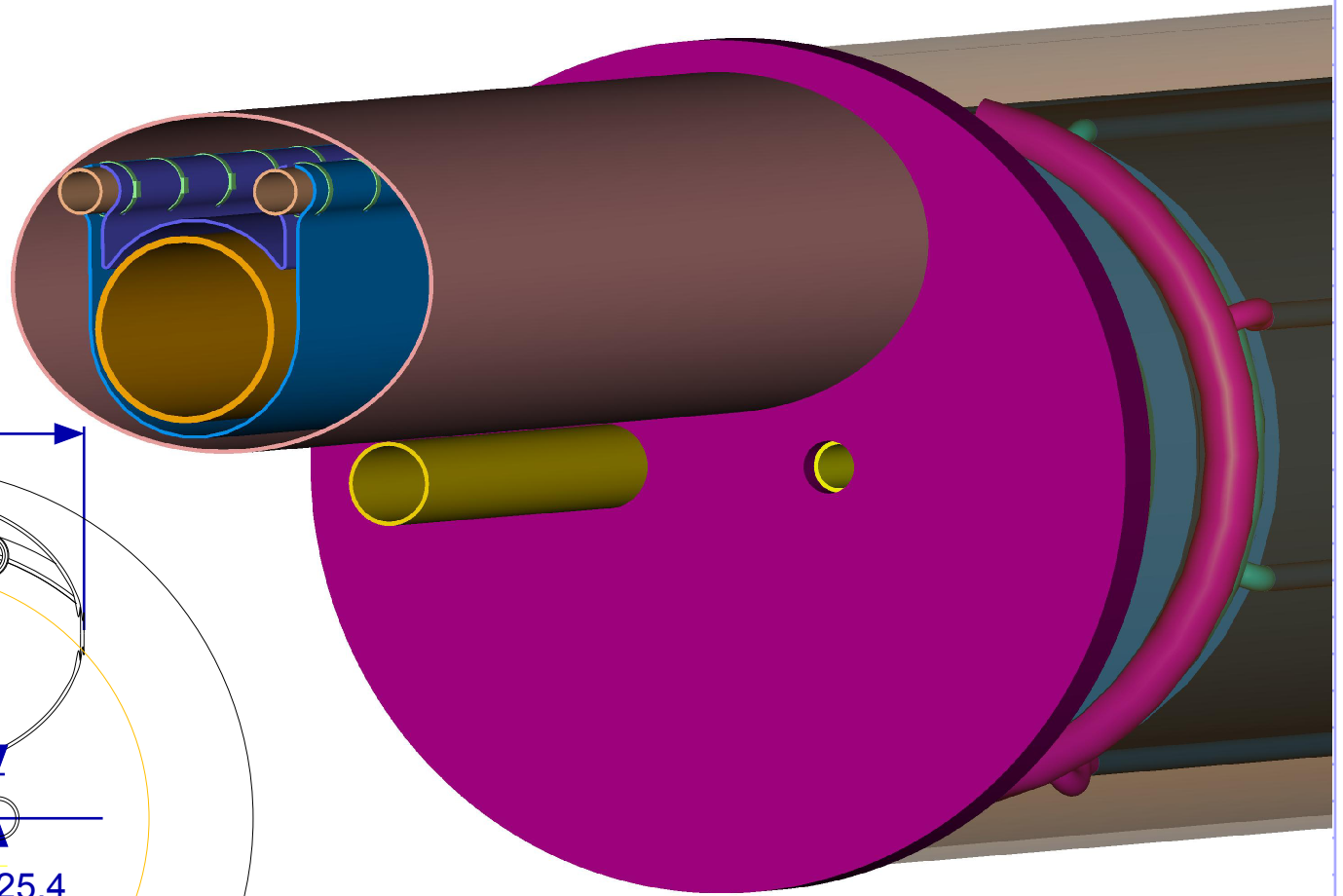


QD0 Cryostat: View at Lead End.





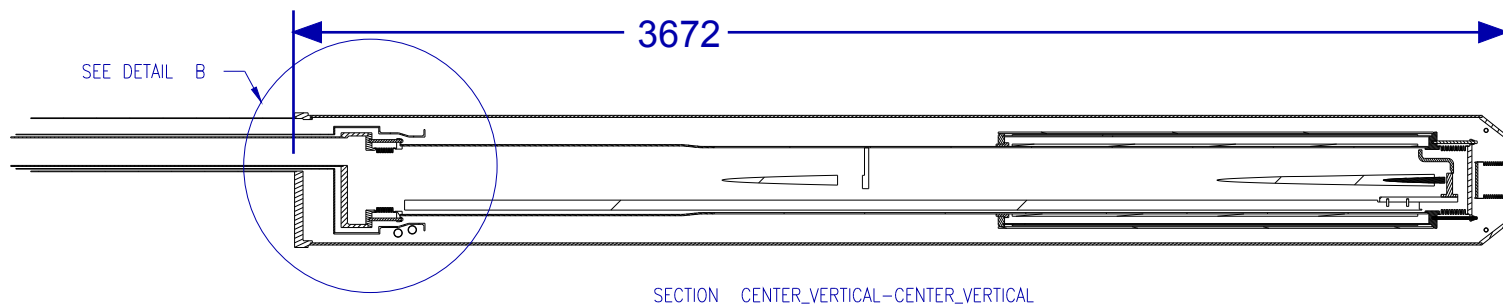
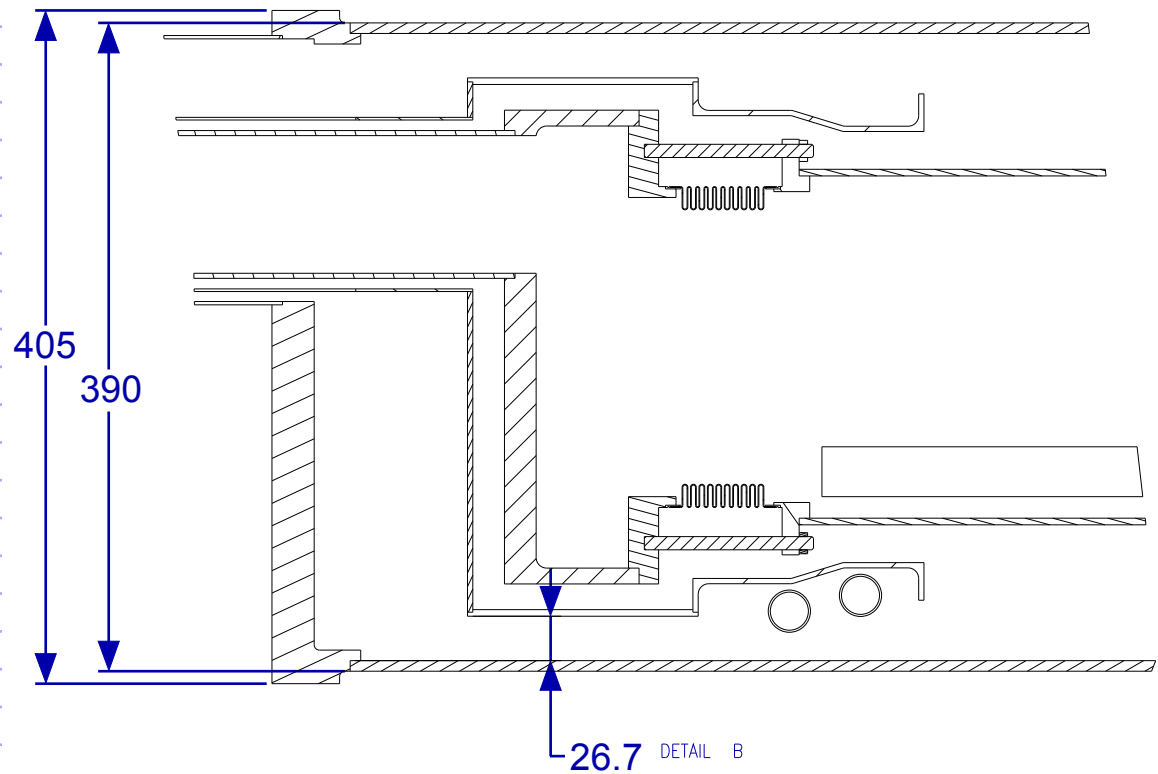
QD0 Cryogenic Connection & Dimensions.



SCALE 0.750



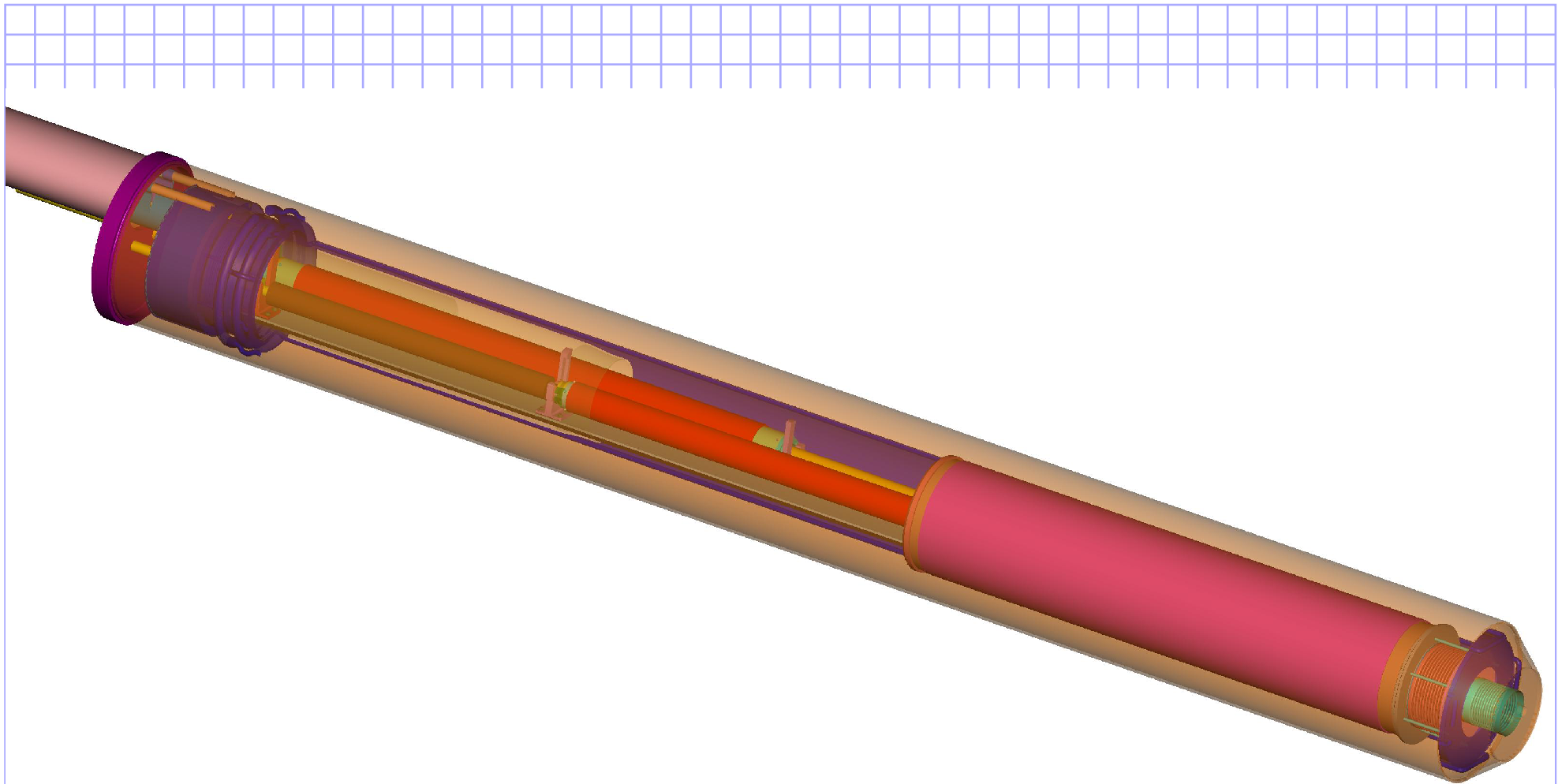
QD0 Cryostat Significant Dimensions.



SECTION CENTER_VERTICAL-CENTER_VERTICAL



QD0 Cryostat Overview Schematic.





Reminder: QD0 service cryostat design.

