

# Hall Parameter - Width

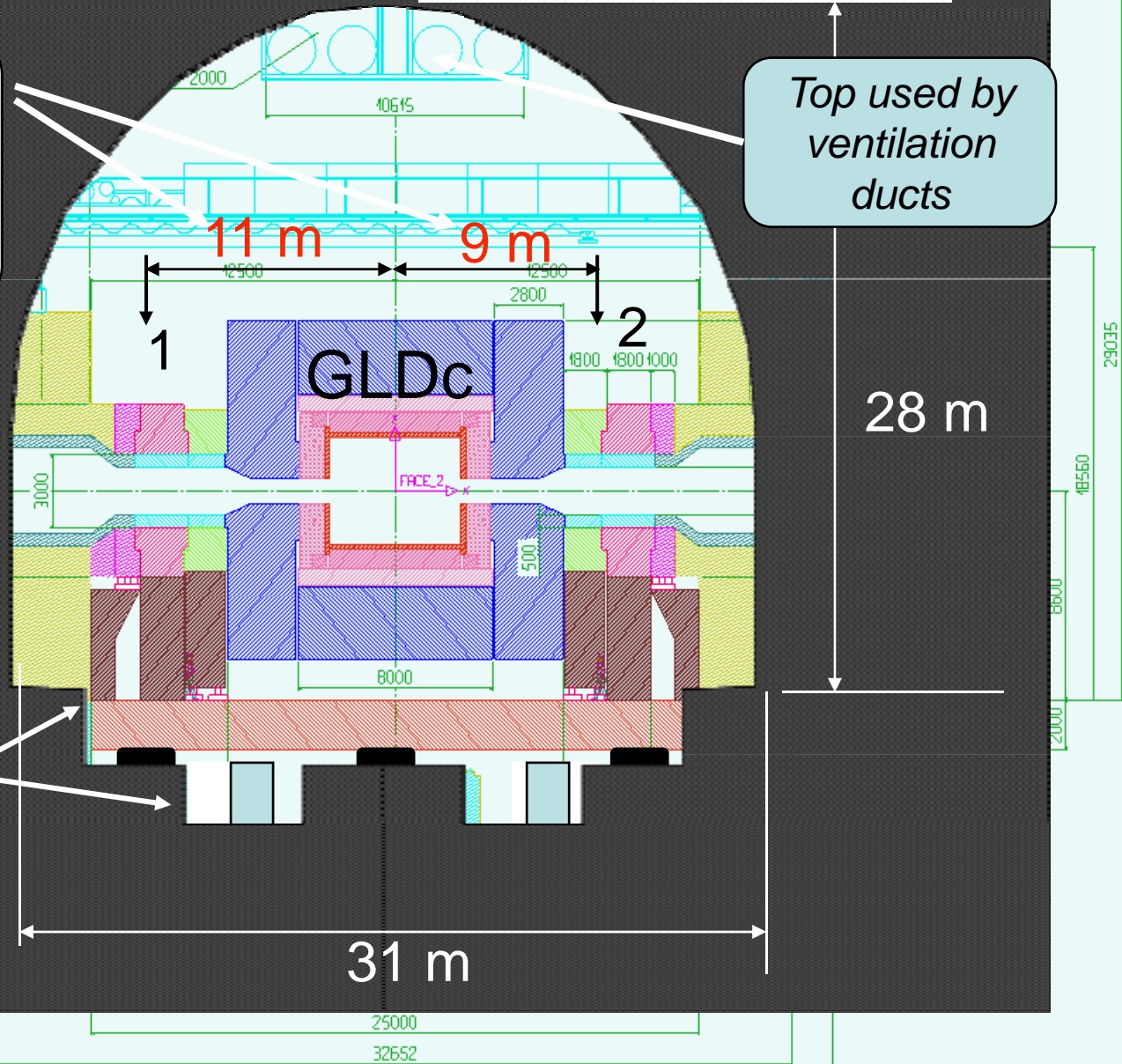
Depends of Crane Reach and Pacman Region

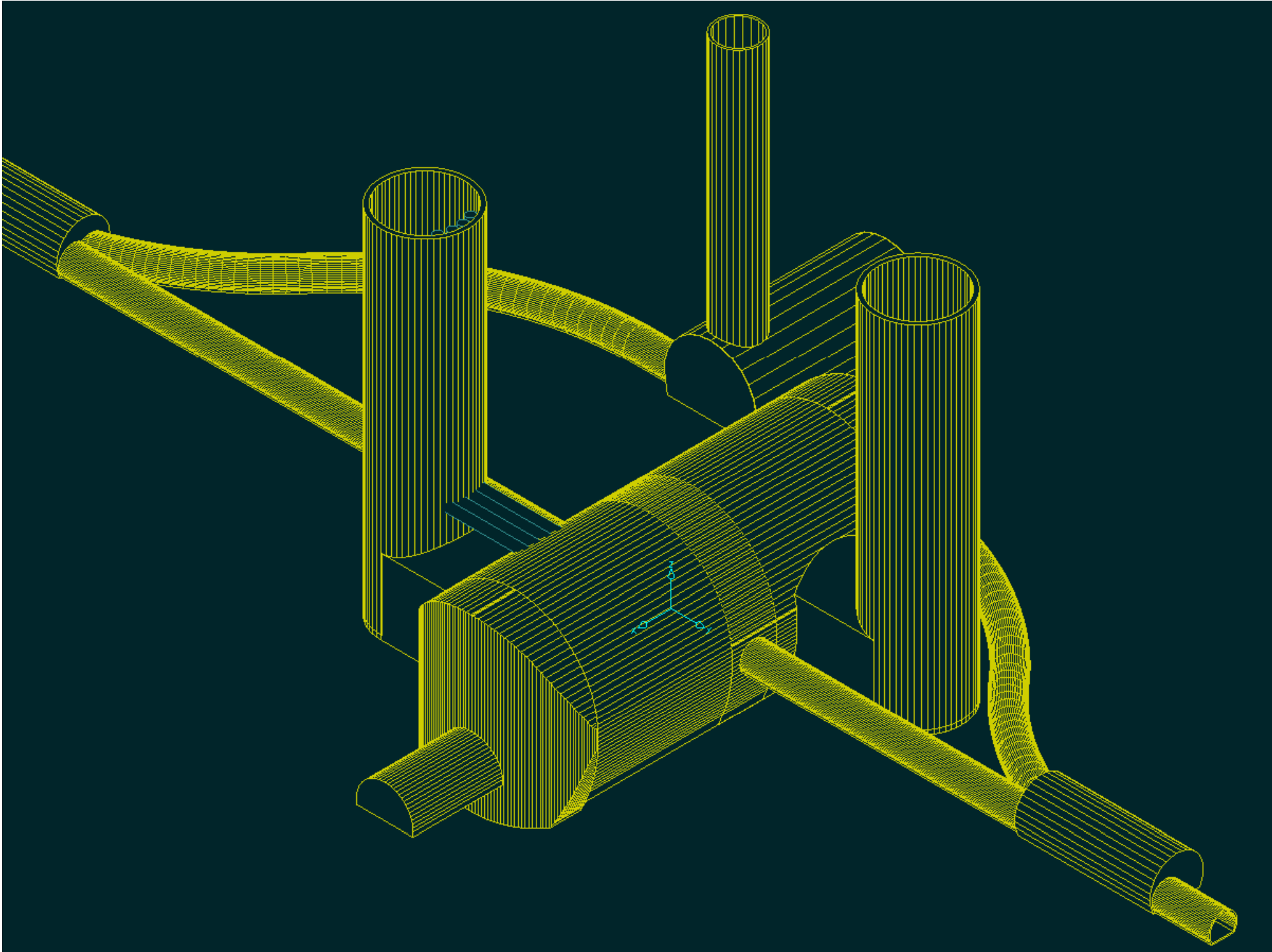
EXPERI  
SUR FA

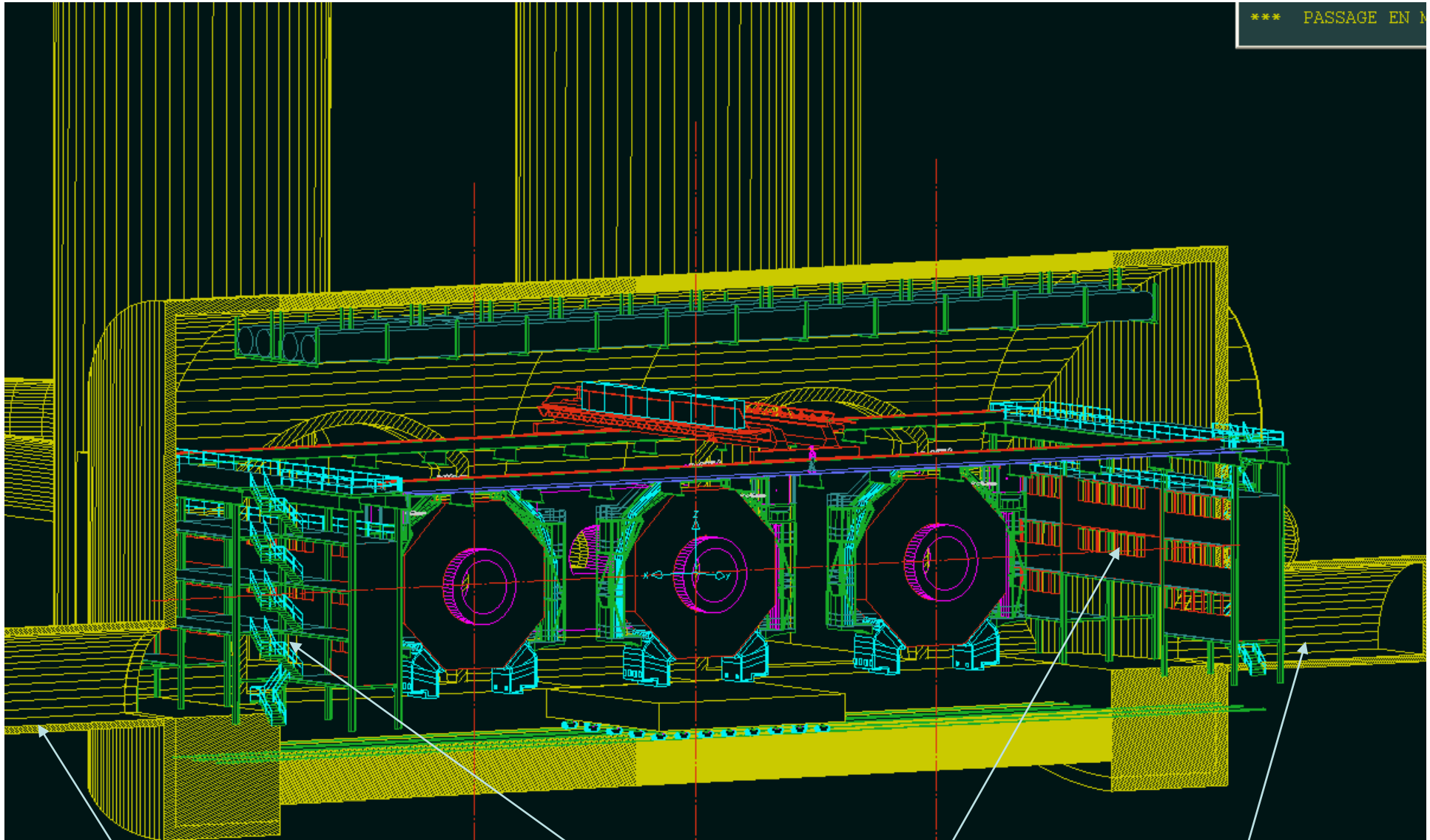
Two 40-t  
cranes with  
asymmetric  
trolleys

Top used by  
ventilation  
ducts

This bottom  
space  
is 'free'  
because  
of the invert





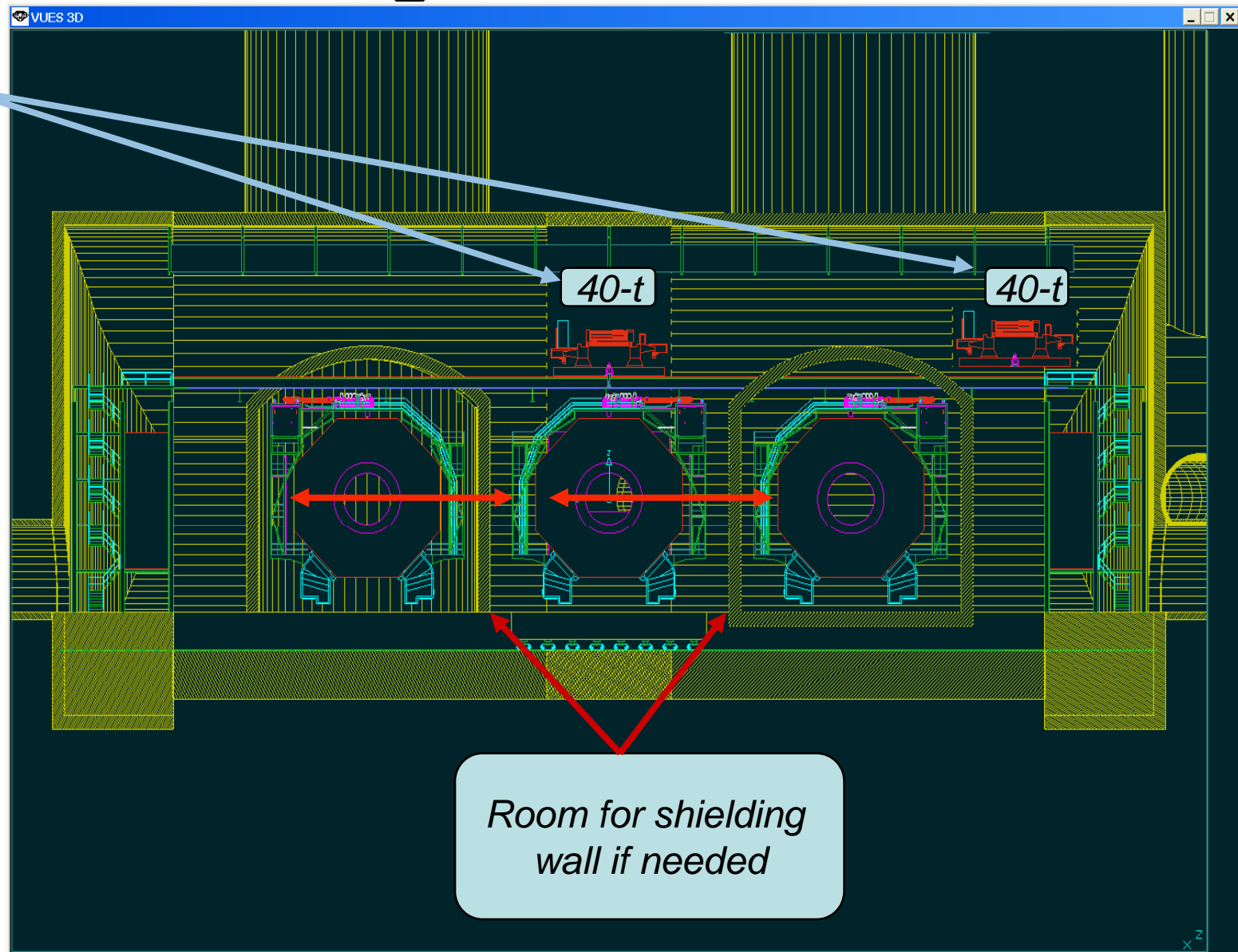


*Utilities at both ends of Hall*

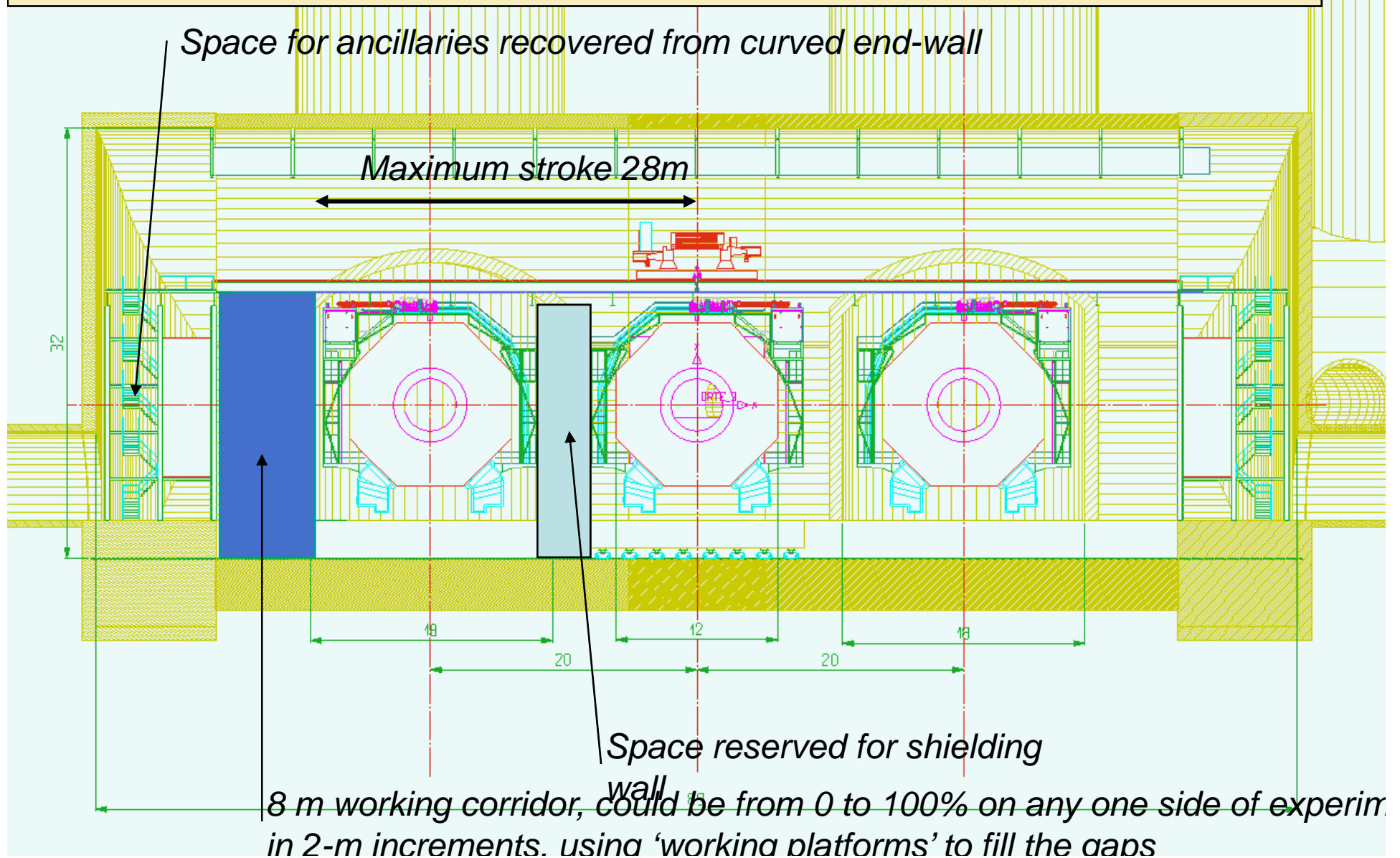
*Small service caverns for cooling and ventilation skids, transformers..  
See Andrea Gaddi's talk at 16:50 today*

# Two Large Shafts - With

- Two
- asymmetric
- 40-ton cranes can be ganged to



# Hall Parameters - Length around 90 m



# Hall Parameter - Width

Transfer Tunnel allows easy extraction of 'Tracking Device'

