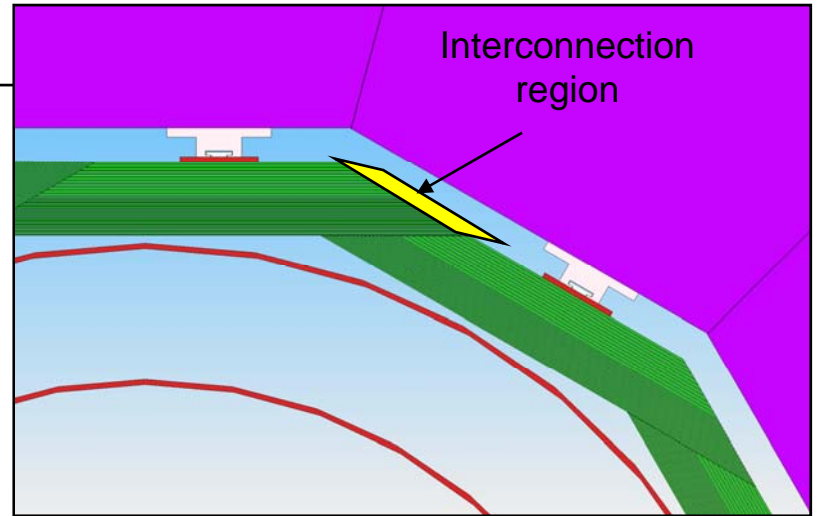
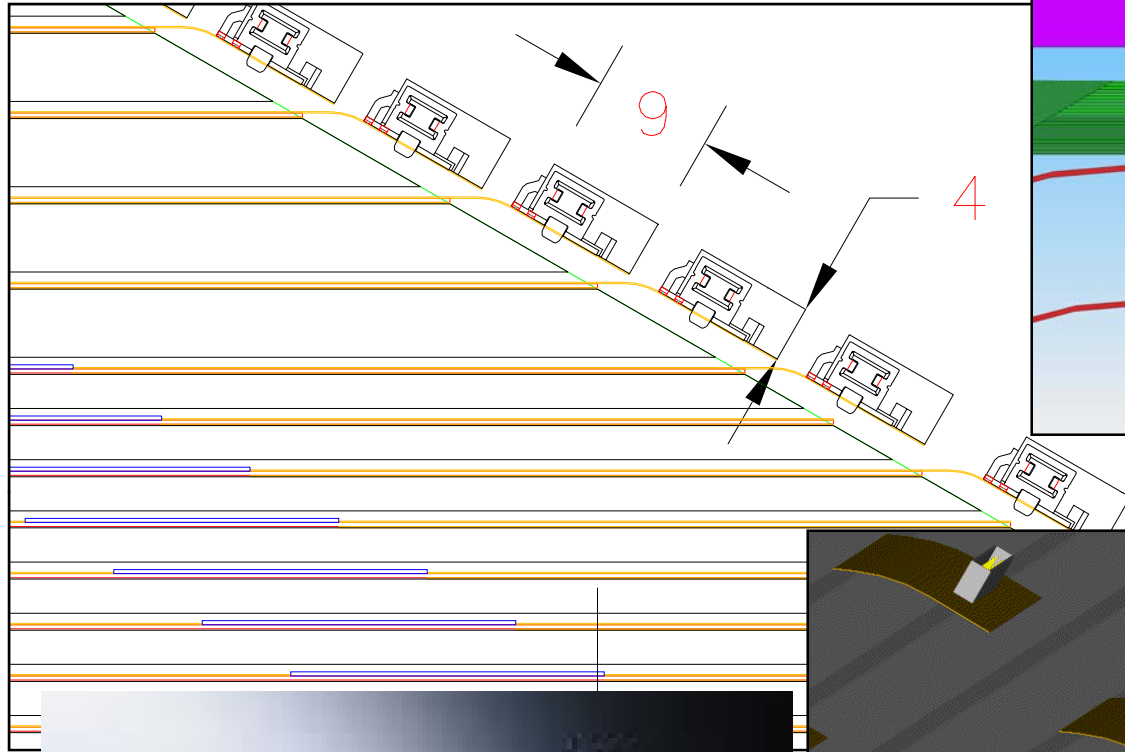
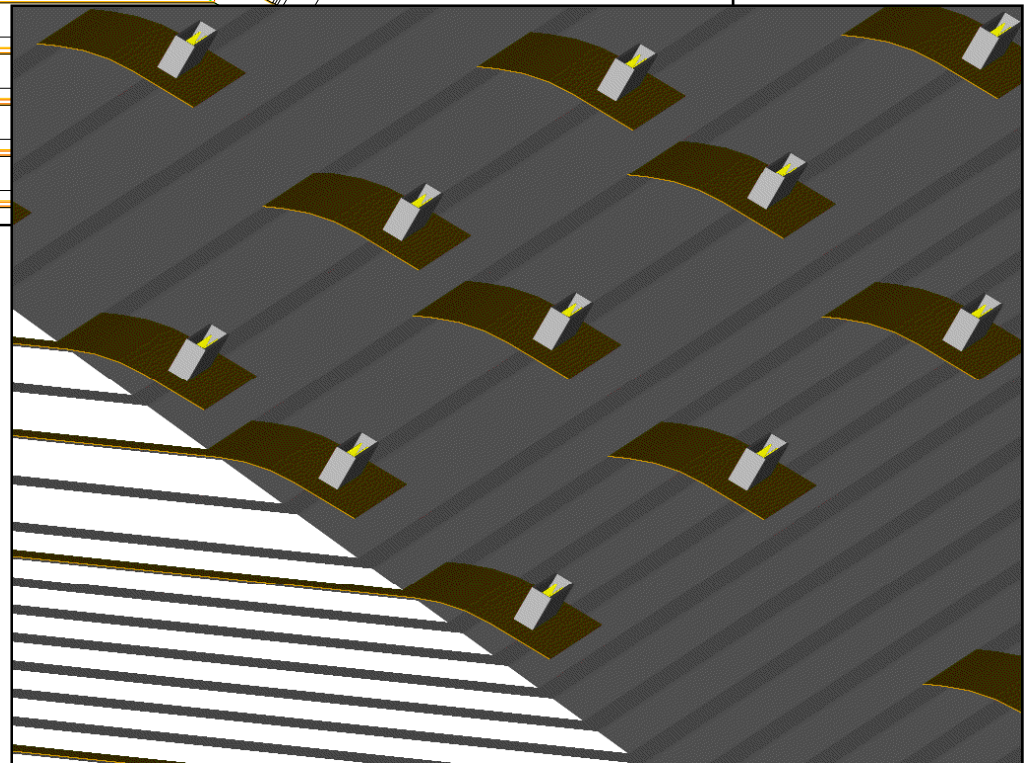


EMCal

Cabling



ERNI microstac 0.8 pitch, 50 pins

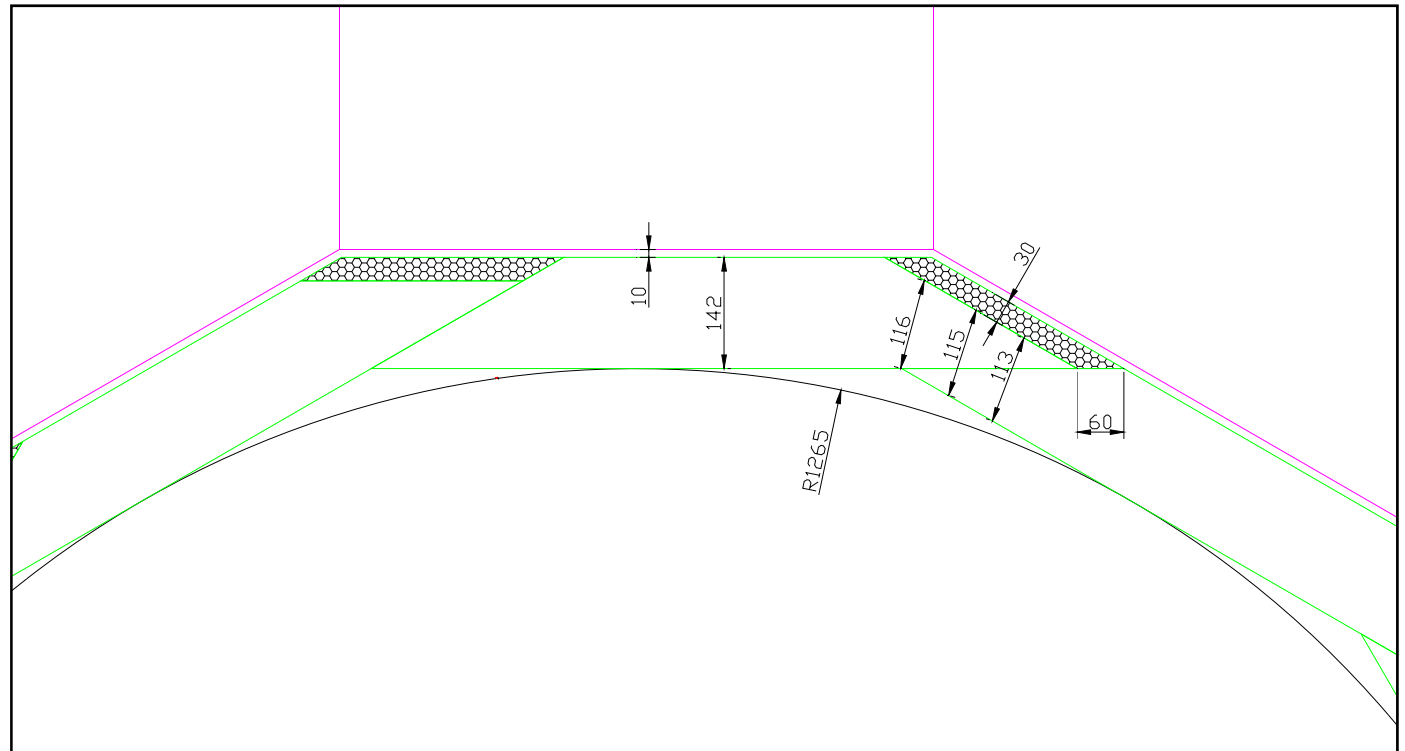
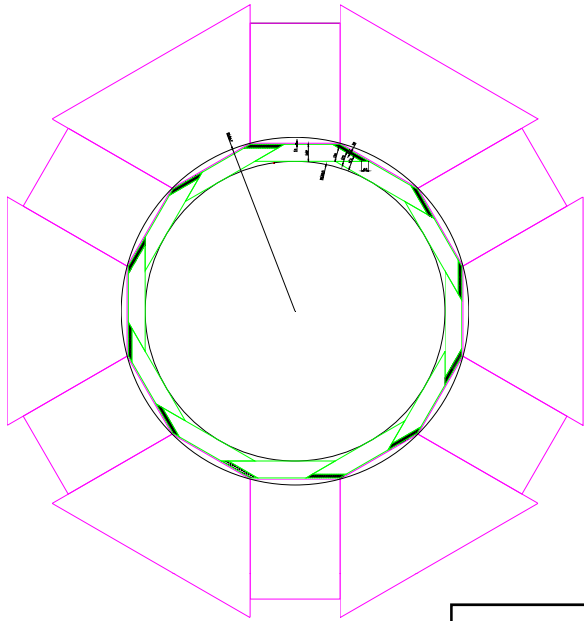


Optimization of the EMcal-Hcal interface, Option 1:

10mm gap (20 max allowed for physics)

60mm interconnection region integrated in the EMcal wedge envelope

20% of local loss of radiation length



Optimization of the EMcal-Hcal interface, Option 2:

10mm gap (20 max allowed for physics)

60mm interconnection region outside the EMcal wedge envelope

Notches on the first Hcal plate: absorbers

no local loss of radiation length vs some loss of interaction length

