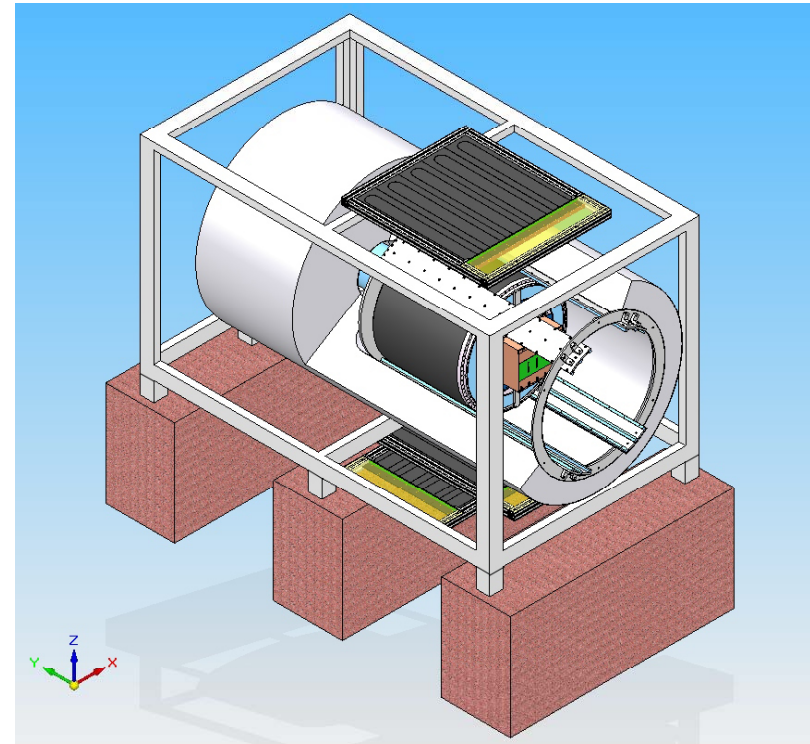




LP cosmic Trigger



Th. Chaminade, P. Colas, K. Dehmelt, M. Karolak, G. De
Lentdecker, S. Hervé, X. Janssen, D. Jourde, Y. Kato, H.
Kuroiwa, Y. Kudenko, T. Matsuda, F. Pierre, J.M. Reymond,
M. Riallot, F. Senée, S. Turnbull

Support mechanics and wrapping ready since Feb-March
1 module has been assembled (3 slabs)

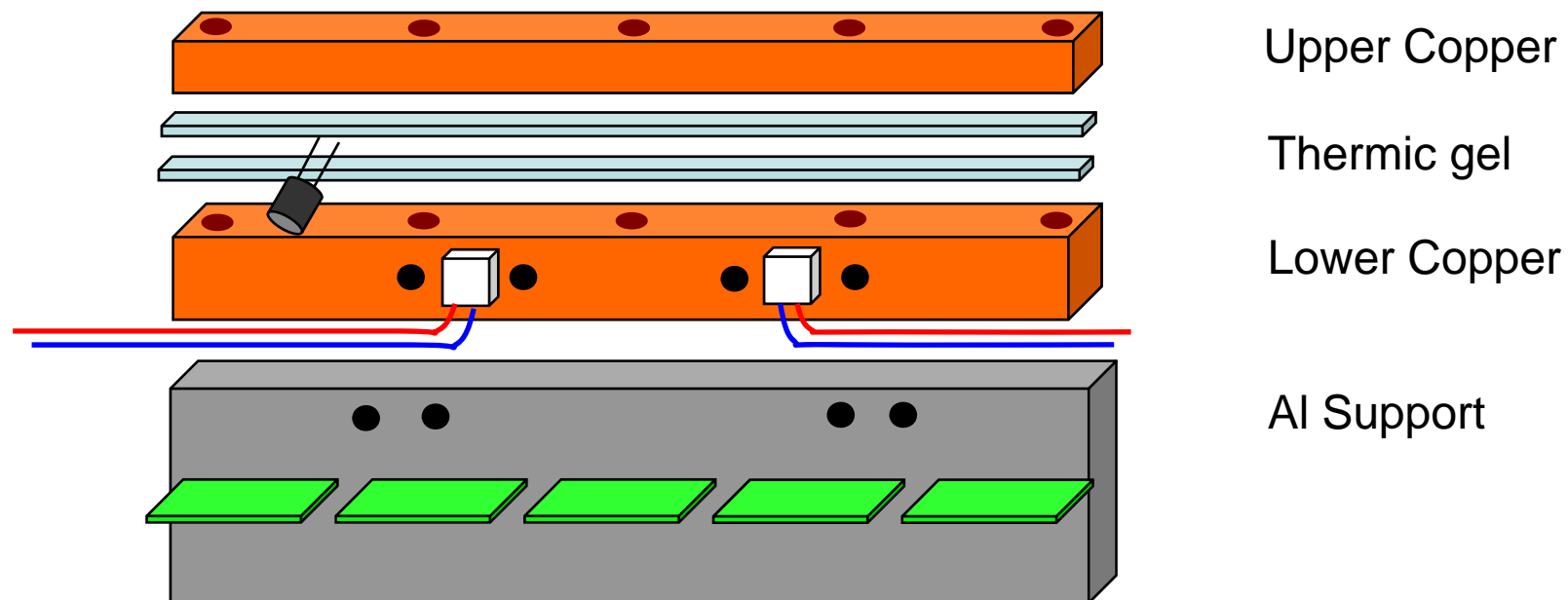


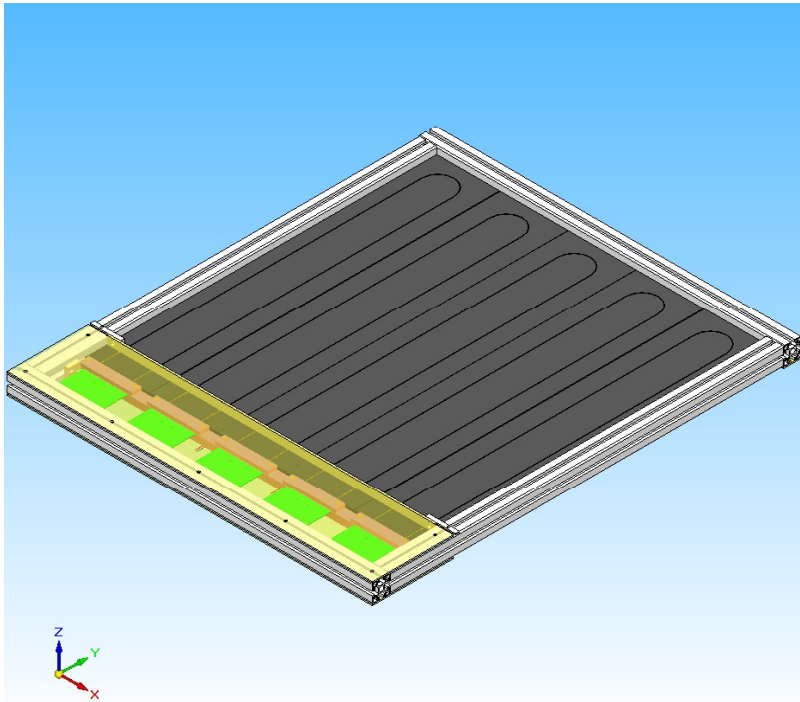
Thermics (J.M. Reymond)

Based on thermoelectric coolers (TEC) (Peltier devices) and hybrid HYTEK controller

HY5610 controller: 12v, +/- 2Amps, Stability 0,01°C

Proportional / Integral Control



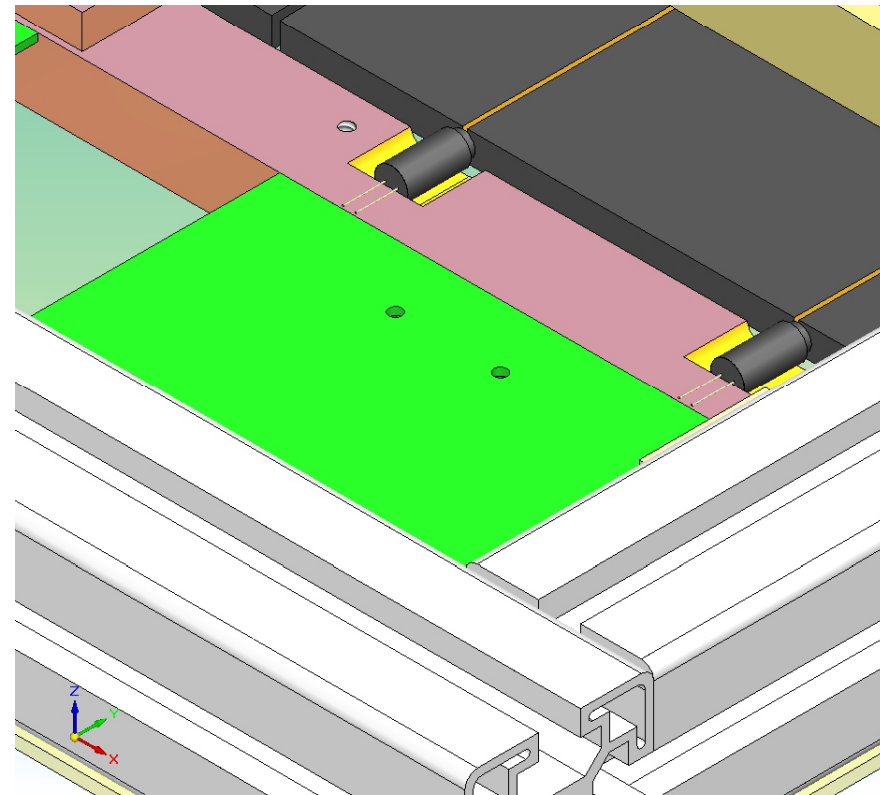


The thermo-mechanics and card support is designed.

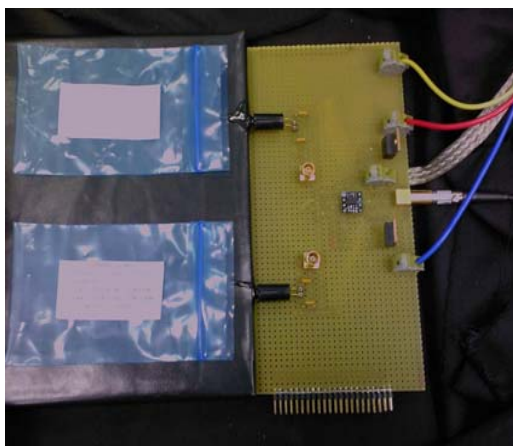
The supplies and cables are delivered.

The final delivery of mechanical pieces is due to June 26.

Warsaw, June 12, 2008



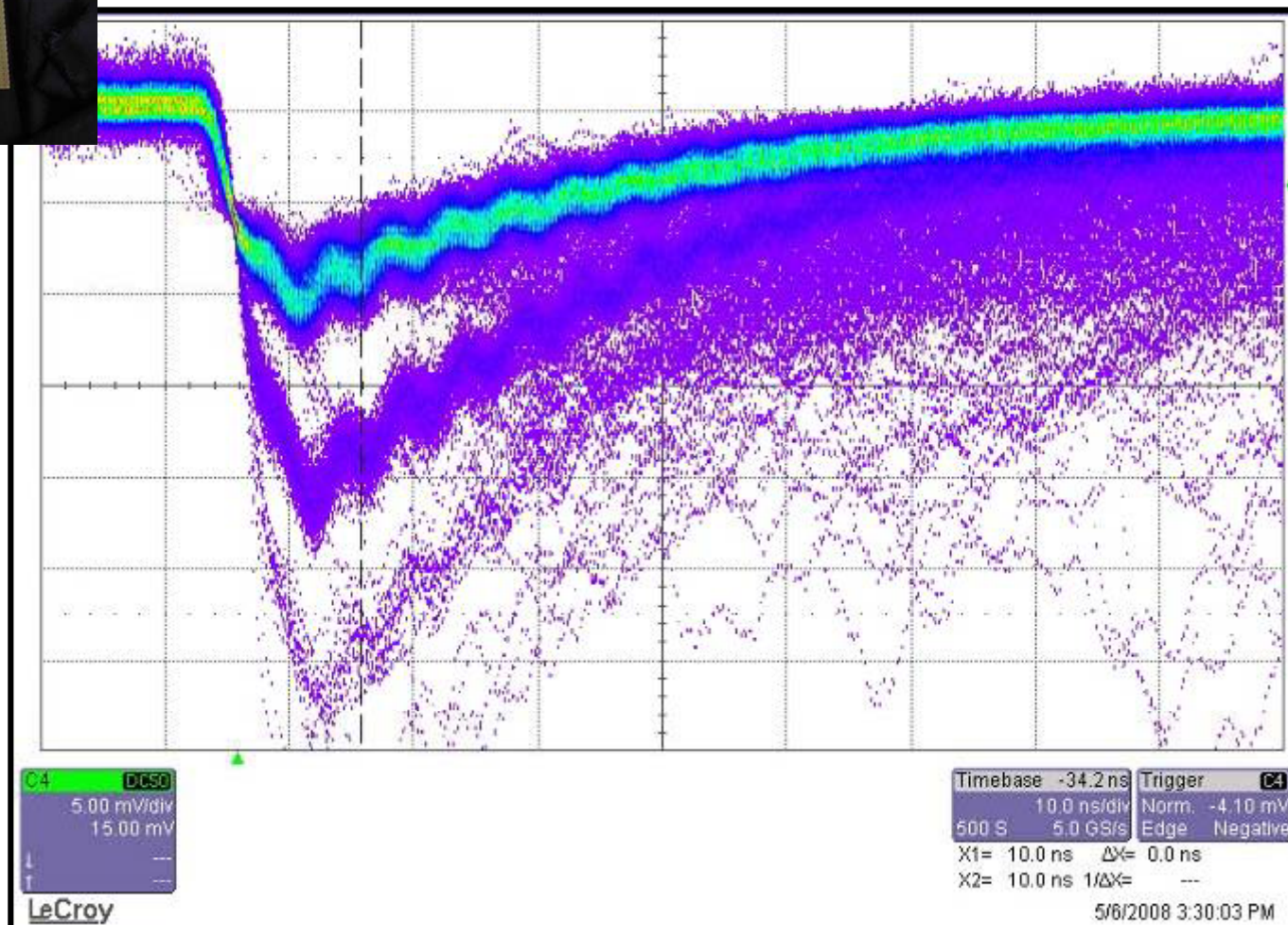
P. Colas, LP trigger

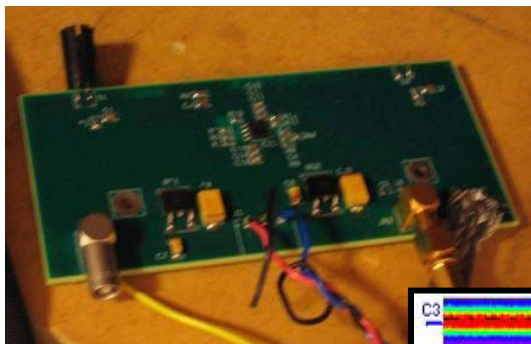


Status as of early May 2008, with test PCB: not perfect (oscillation of the amplifiers), but works

Decision to go for a clean card

10 mV



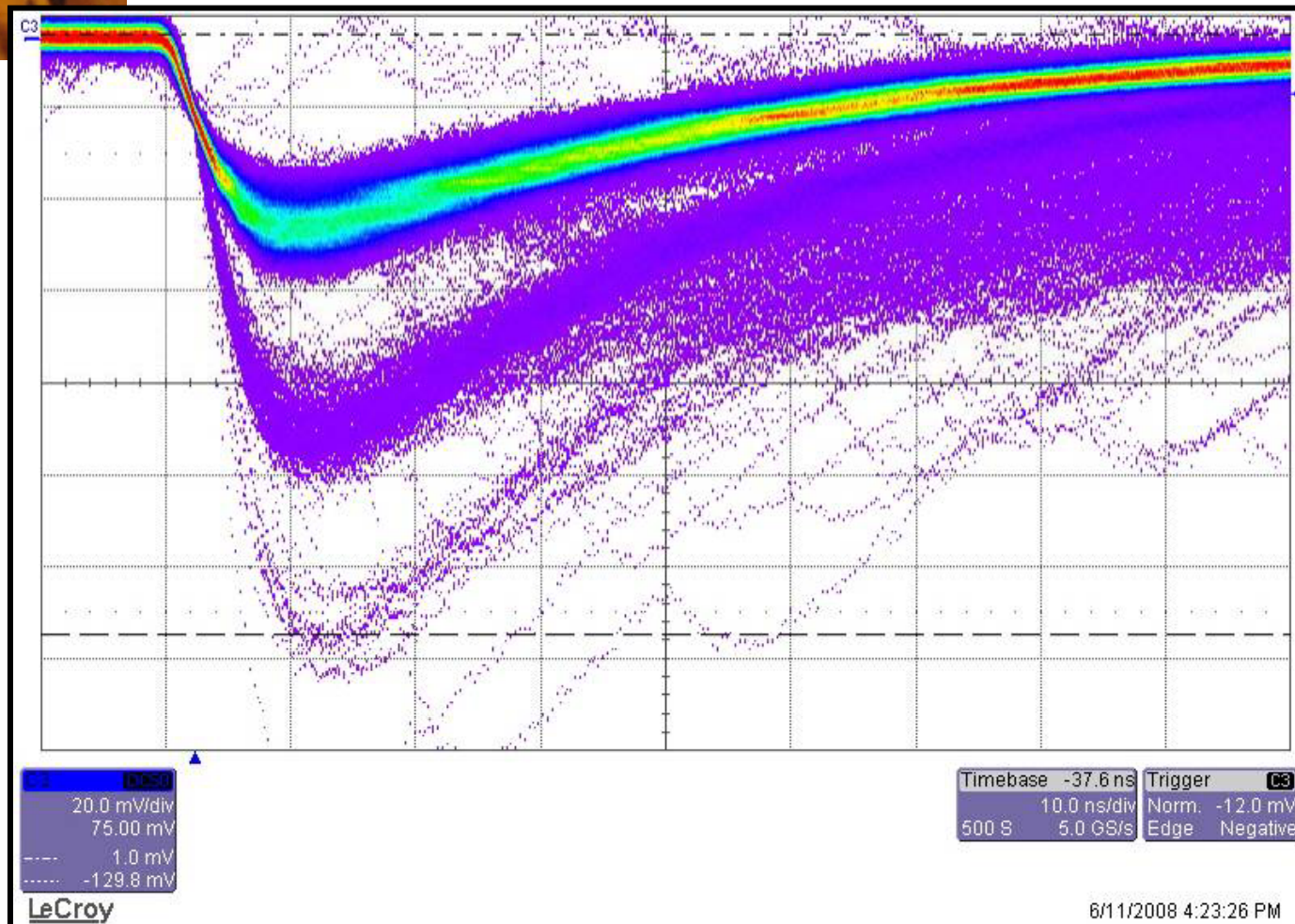


The first final card arrived and was tested yesterday
Excellent result: 40 mV/photo-electron, stable signals
Other cards to be delivered tomorrow

Analogic sum
of 2 MPPCs

40 p.e. :
expect 1.6 V
output

40 mV



The trigger system will be soon ready for mounting. Will use standard logic modules at the beginning, maybe TLU when available.

Later on the logic should be programmed on a FPGA.

