

# Cavity Package 07092008

H. Hayano

# 1. STF cryomodule ( 4 TESLA-style cavities ) : STF phase 1

2<sup>nd</sup> cool-down from June 30 - July 25

High Power Test of BL-#3 cavity (29MV/m at vertical test) only.

The other 3 cavities has warm coupler, but stand-by.

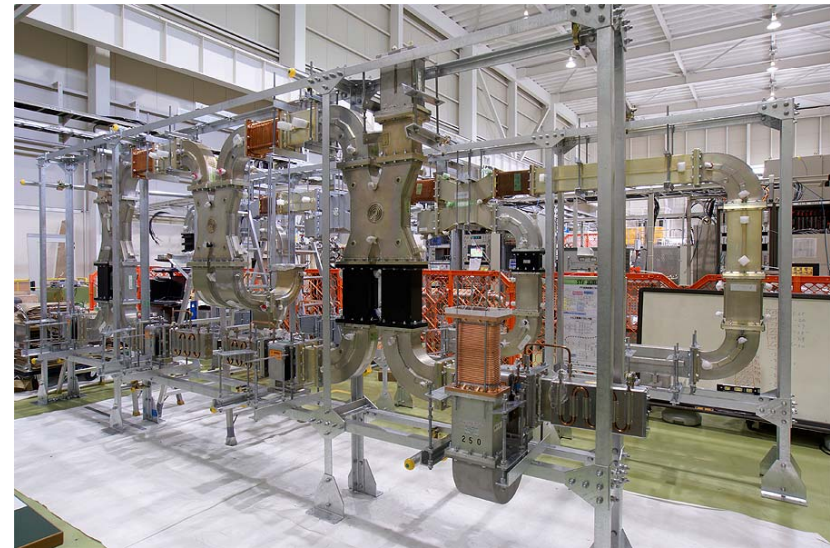
3<sup>rd</sup> cool-down from Sep. 8 – Nov. 28

High Power Test of 4 cavities (20,20,29,20 MV/m)

by connecting tree-distribution WG and linear-distribution WG



WG connection, as of now.



tree-distribution & linear-distribution

More tests of tuner and coupler are available in several month.

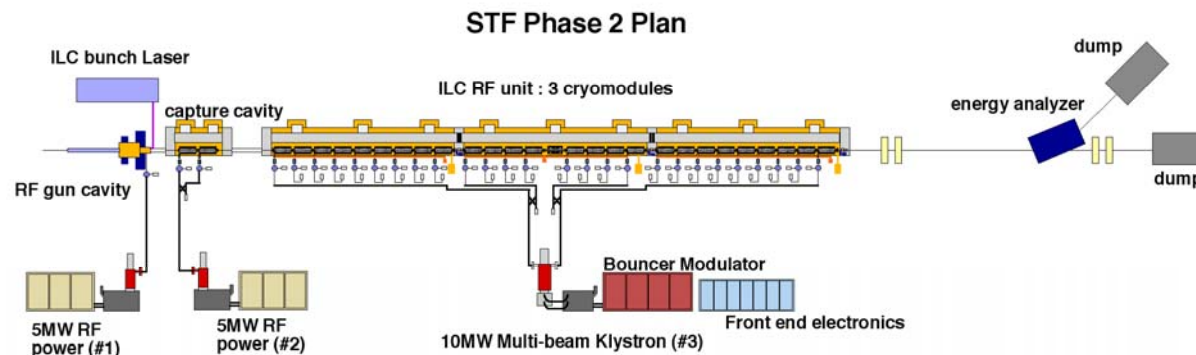
## 2. STF phase 2 discussion was started.

### Discussion points now:

- 1: High Pressure Vessel code clear system, for accelerator operation.
- 2: Special permission to use Nb, Nb-Ti joint, Ti, Ti-SUS joint, etc, are required.
- 3: Cavity production can be started after getting 'special permission'.
- 4: 28 cavities production, test and dressing are estimated to require 2.5 years.
- 5: To meet STF phase 2 operation in time of TDP2, preparation of 'special permission' should be done quickly in 2008.

### Next point:

- 1: Plug compatibility of cavity system,  
'STF-phase2 cavity package' should be installable into ILC cryomodule.
- 2: Plug compatibility of cryomodule,  
'STF-phase2 cryomodule' should be to accommodate 'ILC cavity package'.
- 3: STF phase 2 cavity & cryomodule should be the ILC cryomodule proto-type.



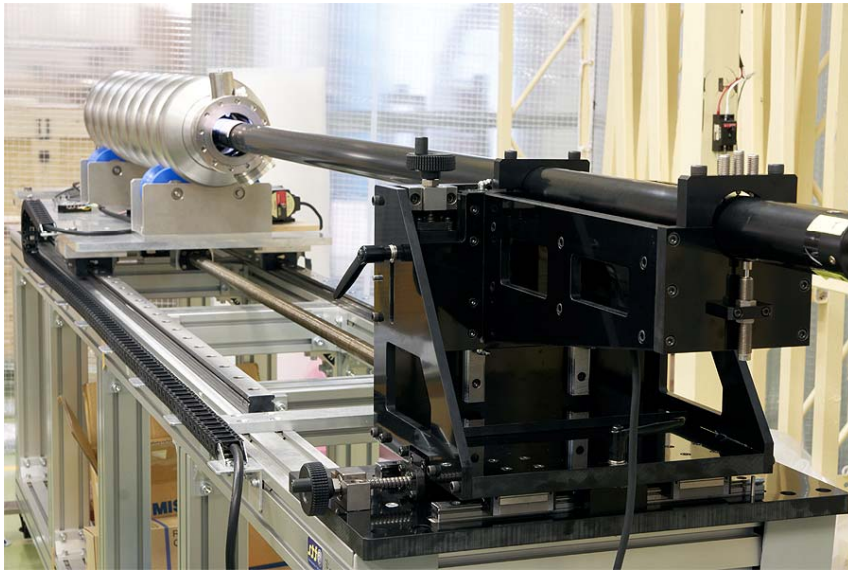
### 3. Cavity production Inspection

#### Kyoto-camera (mark-2) arrived

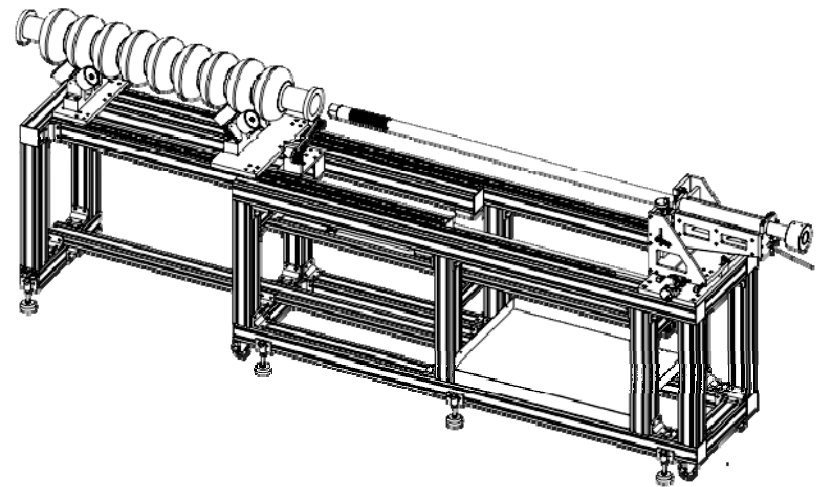
Test operation at KEK was almost done. (waiting for revised EL control box.)

DESY student will come for his experience, next week.

Precise cost estimation was done using mark-2 production experience,  
I will distribute the cost and contact company within few days.



mark-2 :camera cylinder and mount  
are tested in KEK



Kyoto-camera mark-2

4. Specification Profile Table for plug compatibility  
No change, no update since FNAL-SCRF meeting April.

It will be updated when STF phase-2 compatibility discussion start.  
( It will be in July, August. )

end