

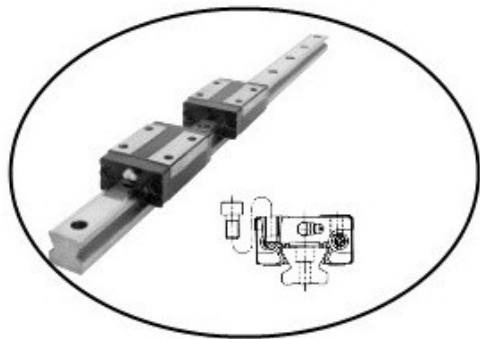
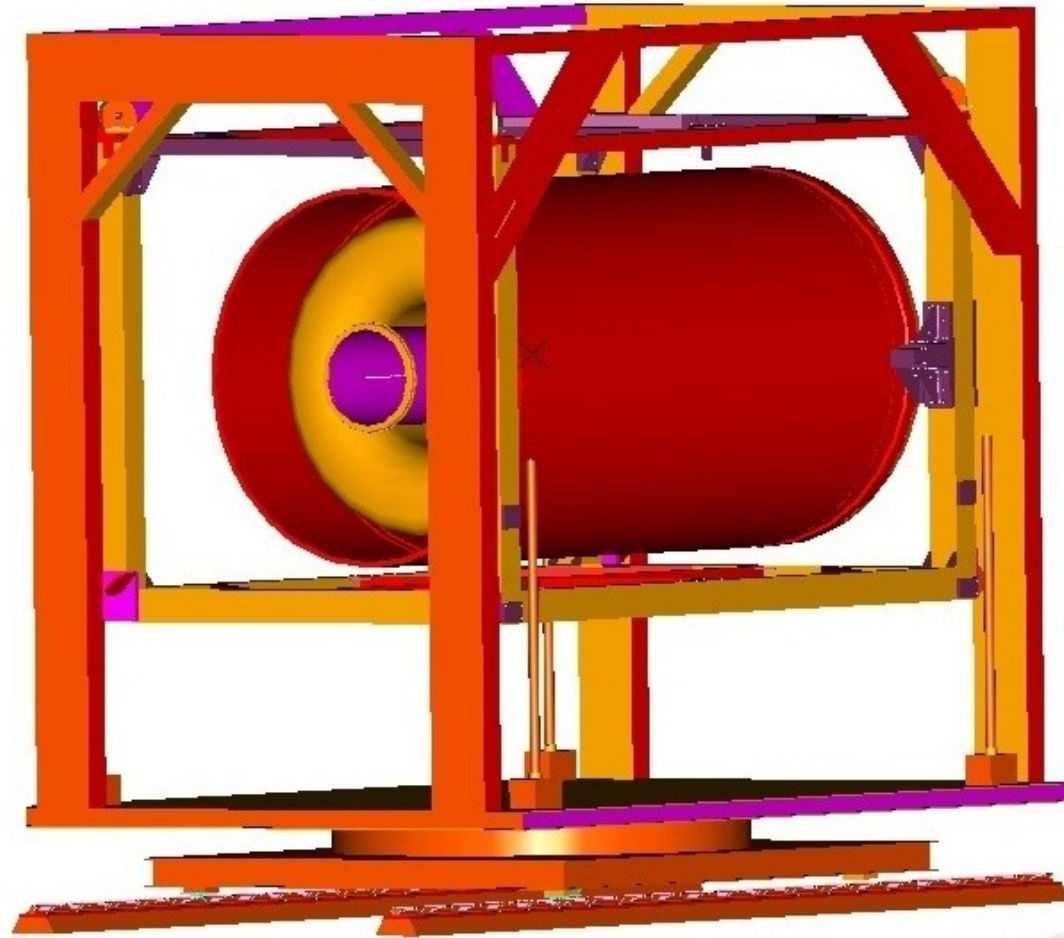
Movable Stage for PCMAG

Franziska Hegner
Volker Prahl

Design Study of the Magnetmovementtable

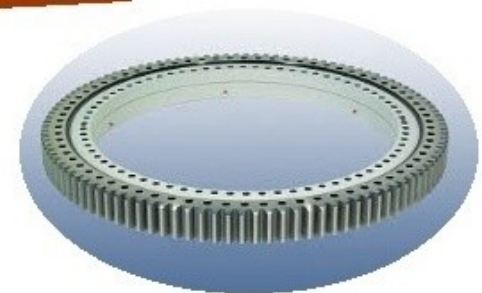


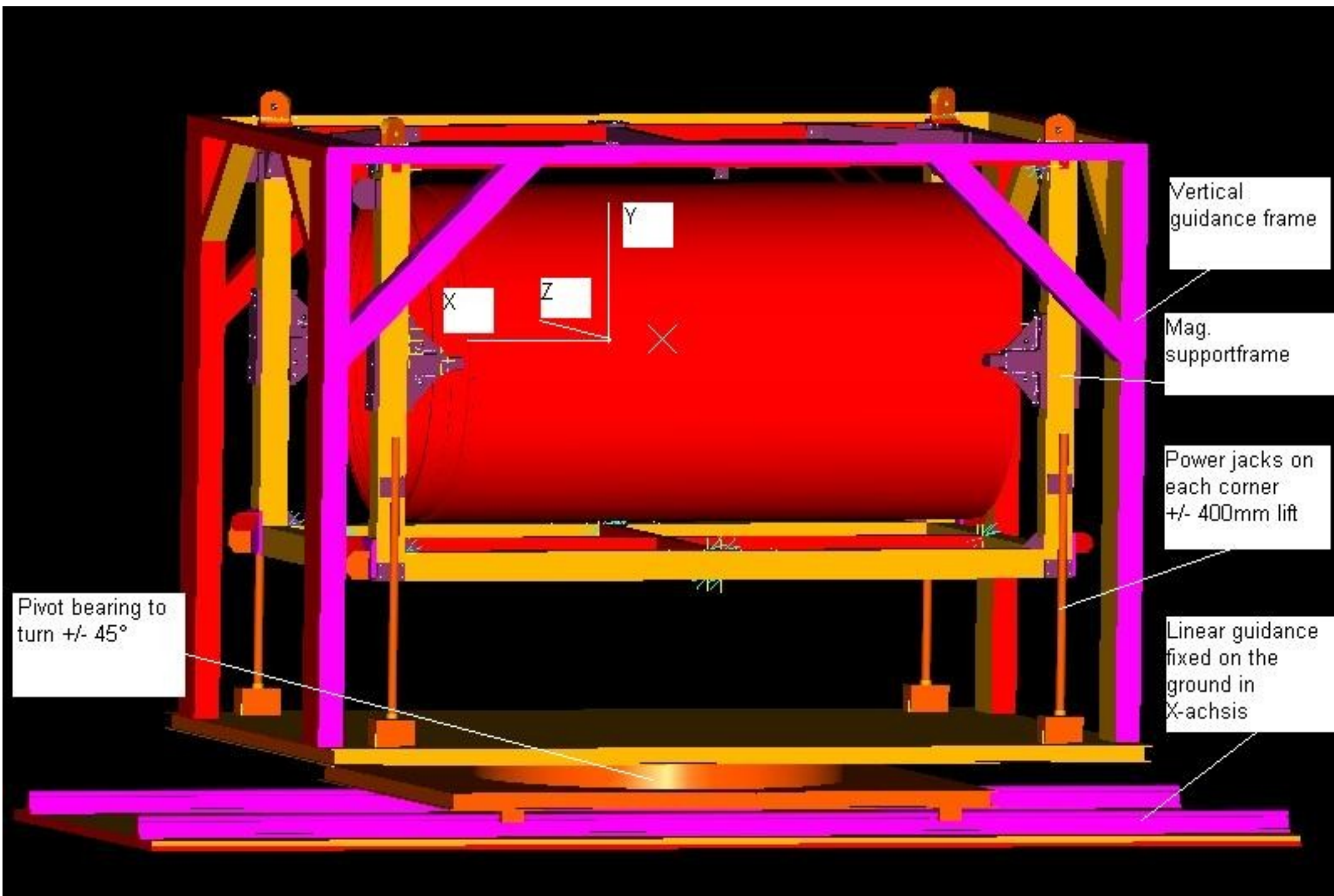
Power Jack

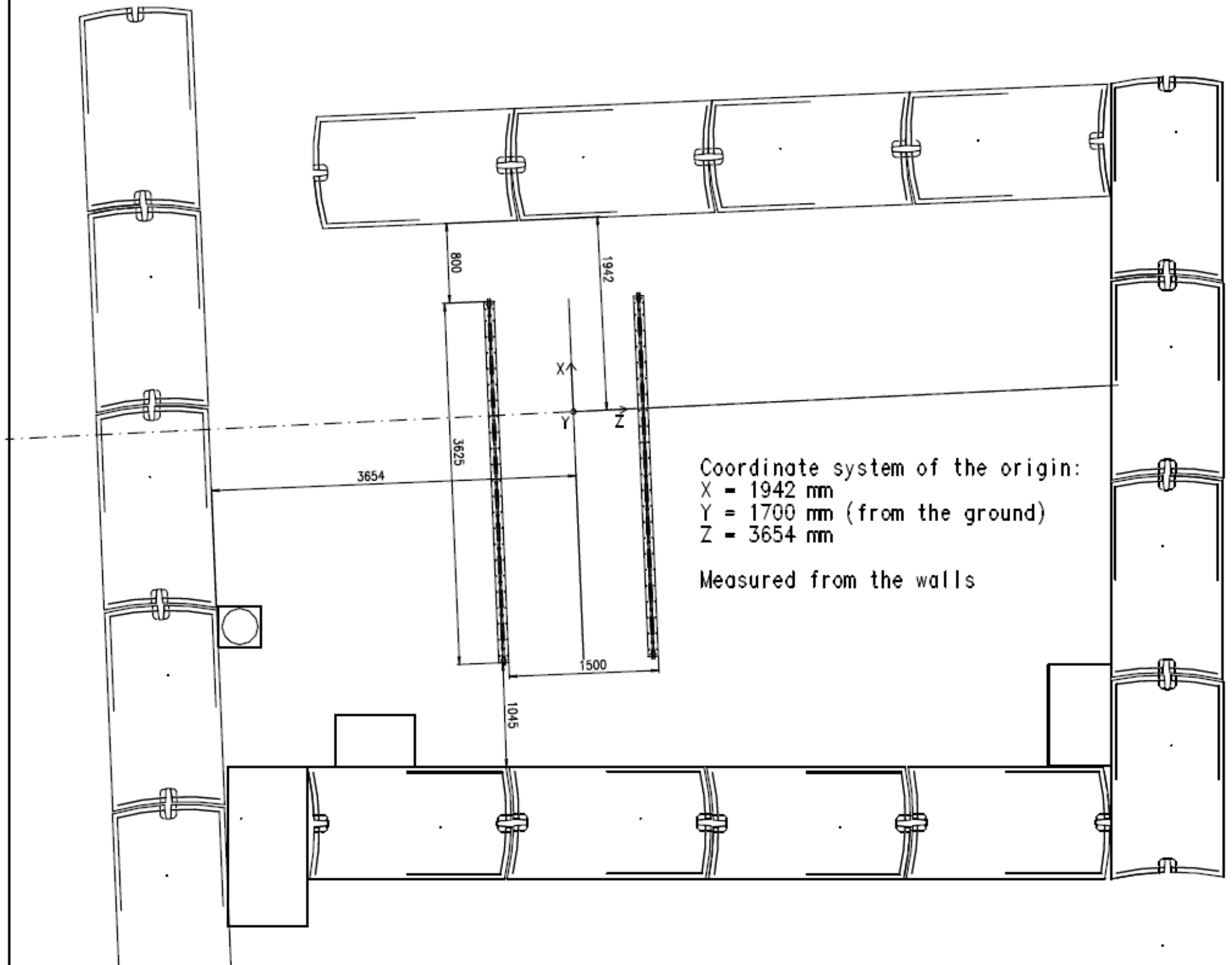


Linear guiding

Bearing



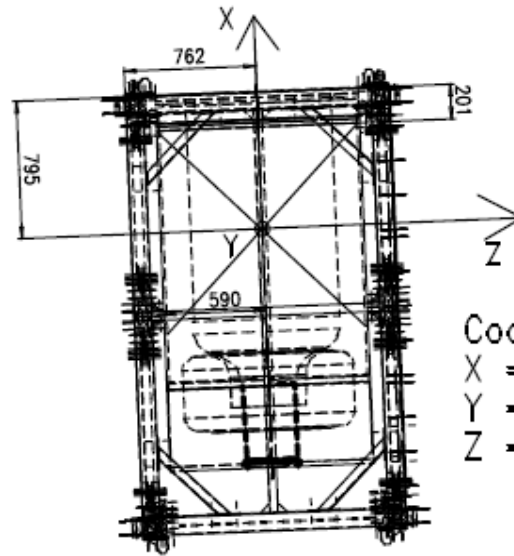
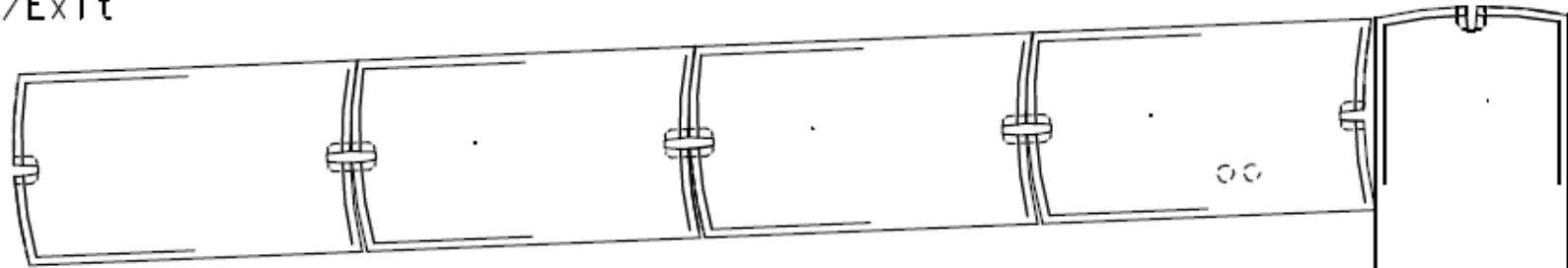




Coordinate system of the origin:
X = 1942 mm
Y = 1700 mm (from the ground)
Z = 3654 mm

Measured from the walls

Entry/Exit



Coordinate system of the magnet:
X = 795 mm (from the magnetcage)
Y = 1700 mm (from the ground)
Z = 762 mm (from the magnetcage)

