

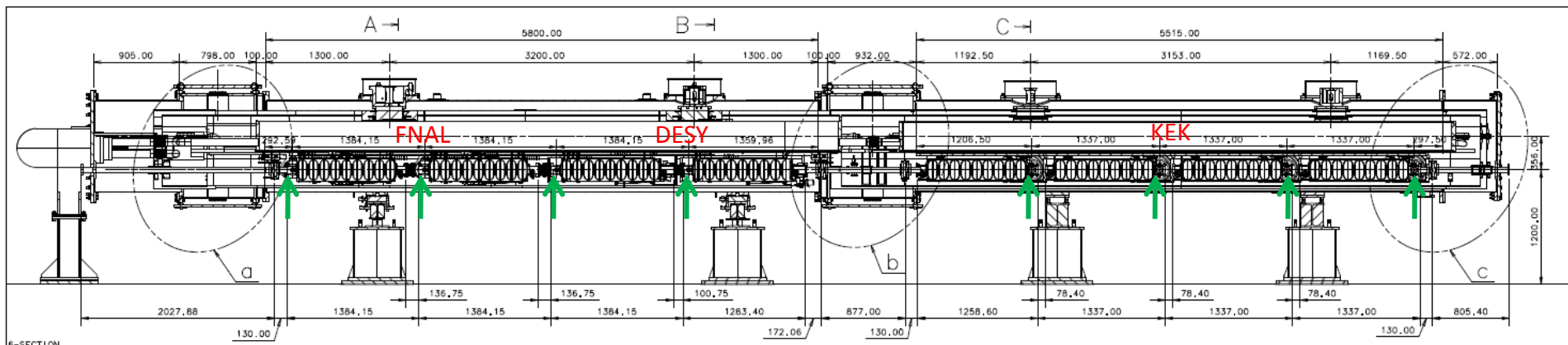
Status of the design work of S1-Global cryomodule

- **General design: 90 % completion (3D-Modeling)**
 - Module C locates close to 2K-Cold Box. In the present design, FNAL cavities are in the upper stream in the Module C.
 - FNAL cavity : Blade tuner
 - DESY cavity : Sacley tuner
 - KEK BL cavity : Slide Jack tuner
 - Input coupler distance between FNAL and DESY cavities = **1384.15mm** (same as XFEL module)
 - Input coupler distance between KEK-BL cavities = **1337.0mm**
 - The directions of input couplers with respect to cavities between KEK cavities and FNAL/DESY cavities are opposite.
 - In the vacuum vessel, input couplers are assembled in the same direction to the KEK-BL cavities.
 - The length of the Module C is 5800 mm.

Cooling system

Module C

Module A



Latest schedule discussed at KEK

Calendar year	2008			2009			2010				
	7,8,9	10,11,12	1,2,3	4,5,6	7,8,9	10,11,12	1,2,3	4,5,6	7,8,9	10,11,12	1,2,3
S1-Global											
Cryostat design	←→										
INFN cryostat construction	←					→					
DESY and FNAL cavities at KEK					→						
Preparation of cavities for clean room work						↔					
Clean room work						↔					
Cryomodule C assembly							↔				
Construction and preparation of BL cavities for S1	←					→					
Cryomodule A disassembly		↔									
Clean room work of new BL cavities						↔					
Cryomodule A assembly with new BL cavities								↔			
Installation of Modules A and C in the tunnel								↔			
Operation of S1-Global cryomodules											↔