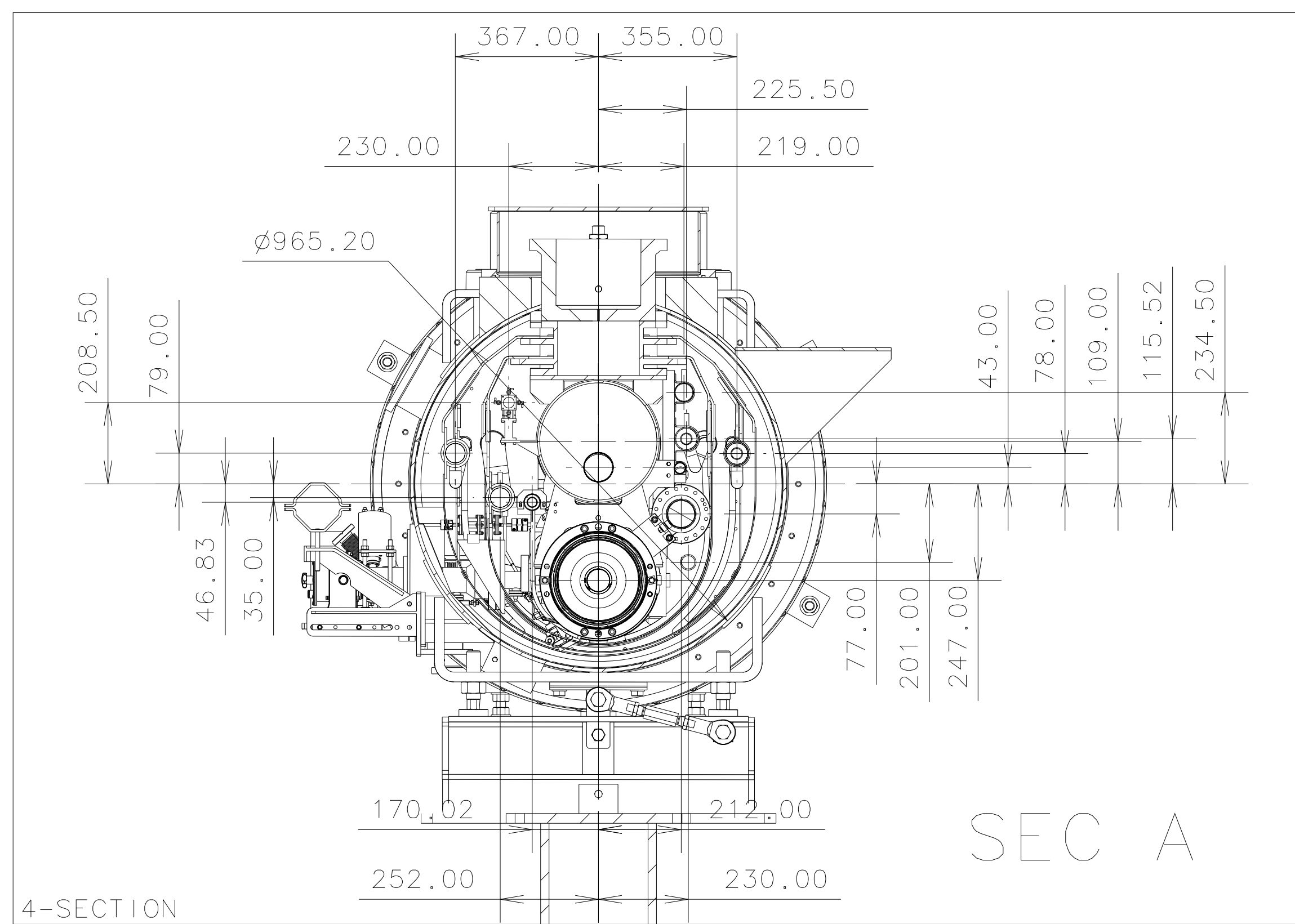


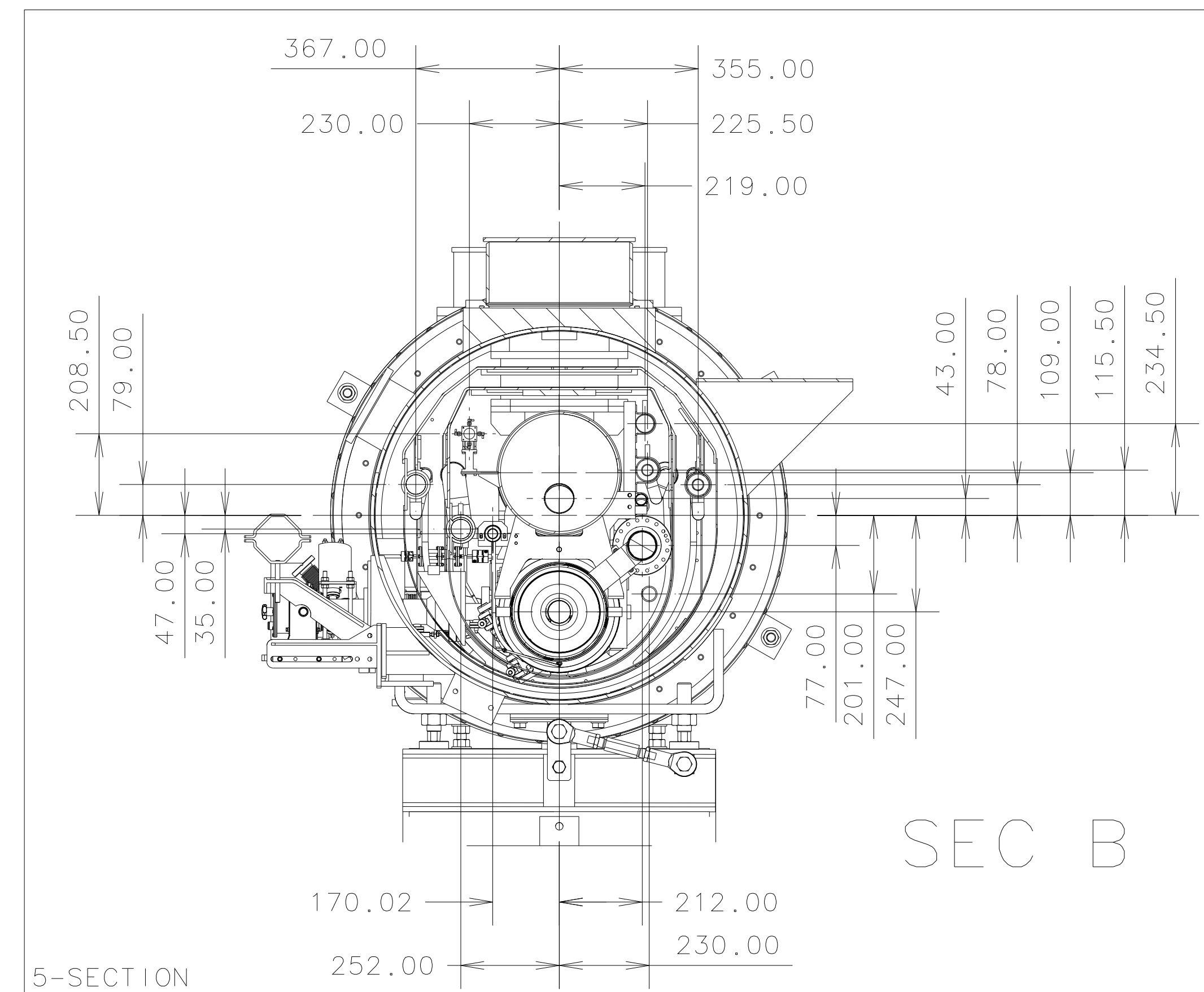
3-TOP

S1_Assy.1
Date: 081111 Rev. 8



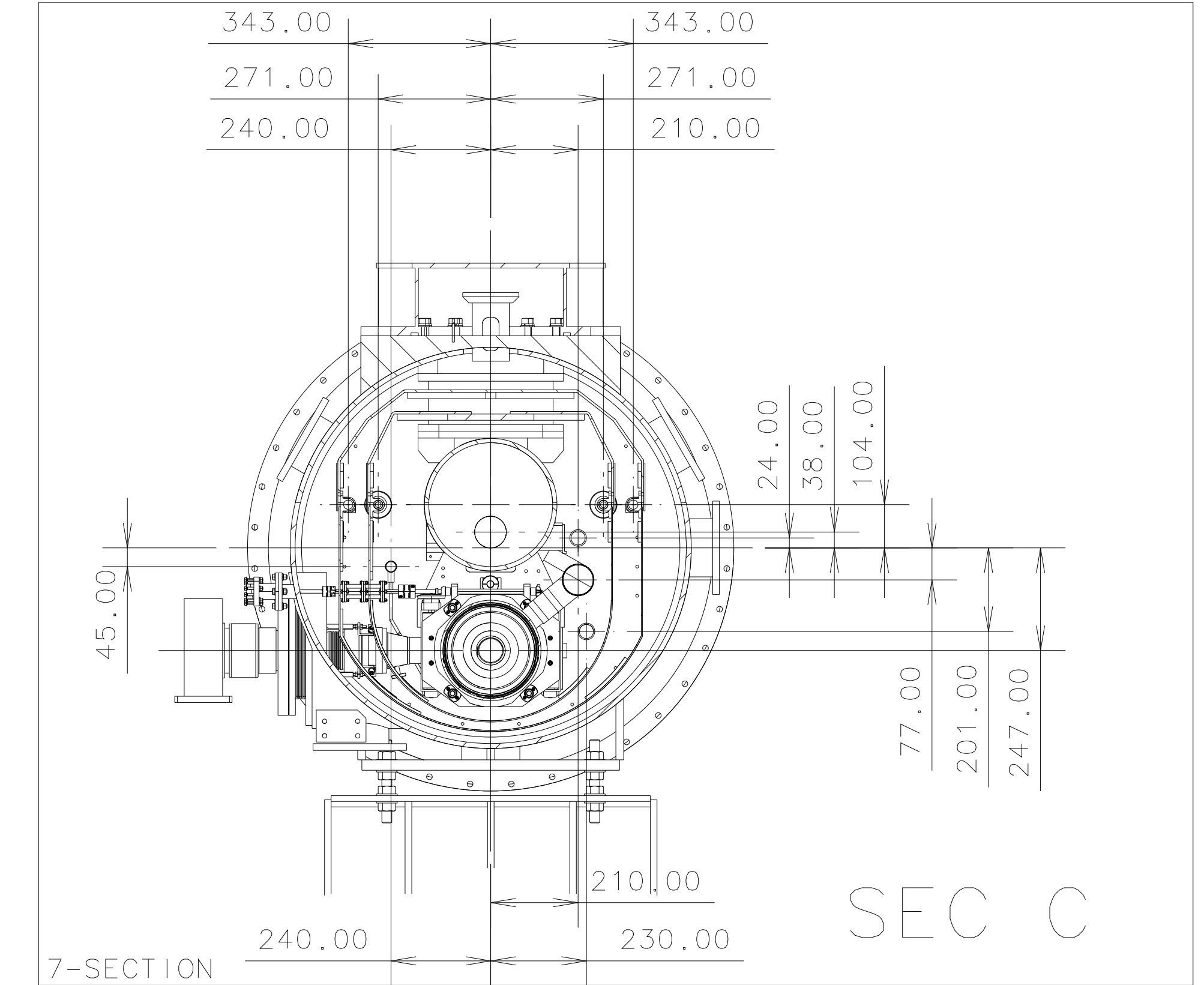
SEC A

4-SECTION



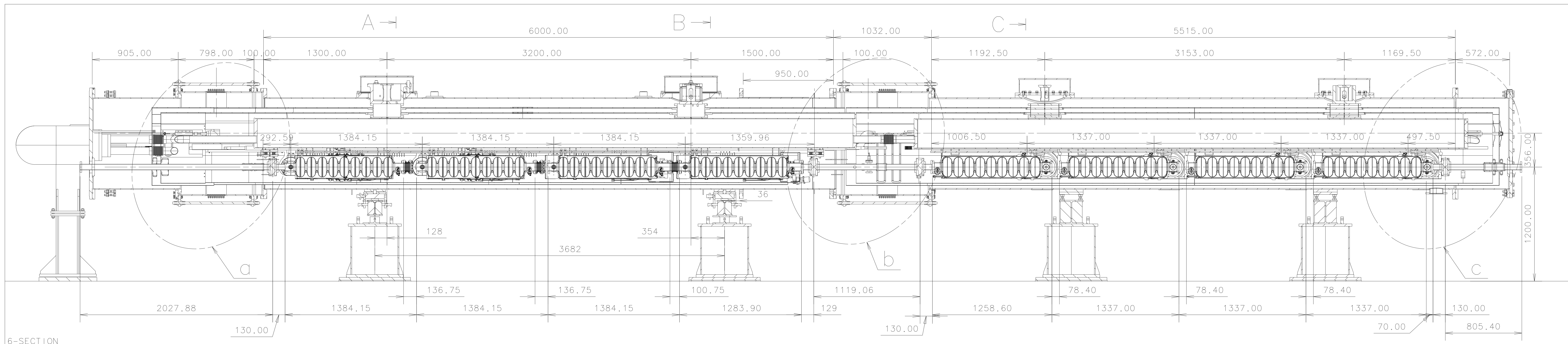
SEC B

5-SECTION

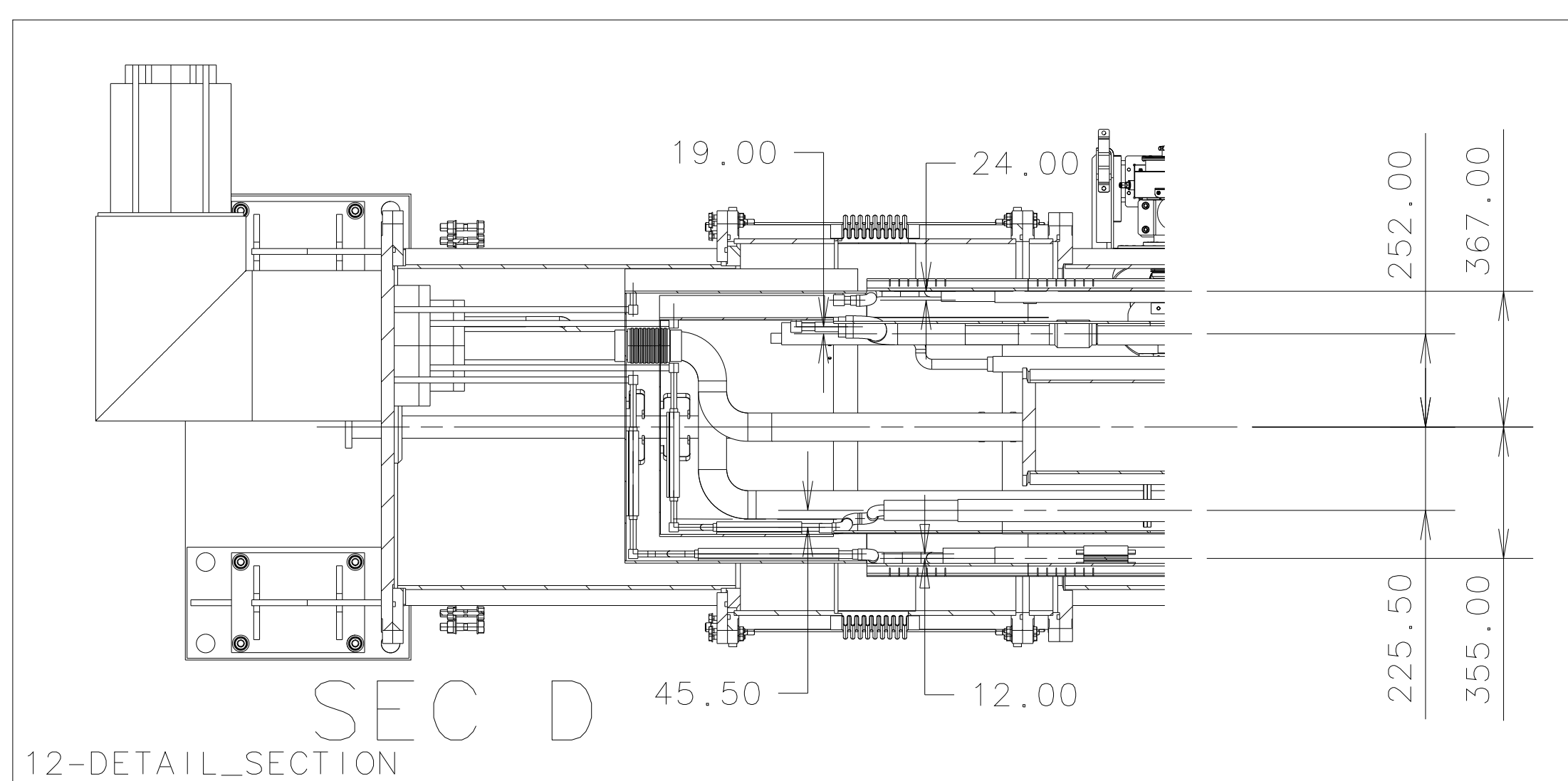


SEC C

7-SECTION

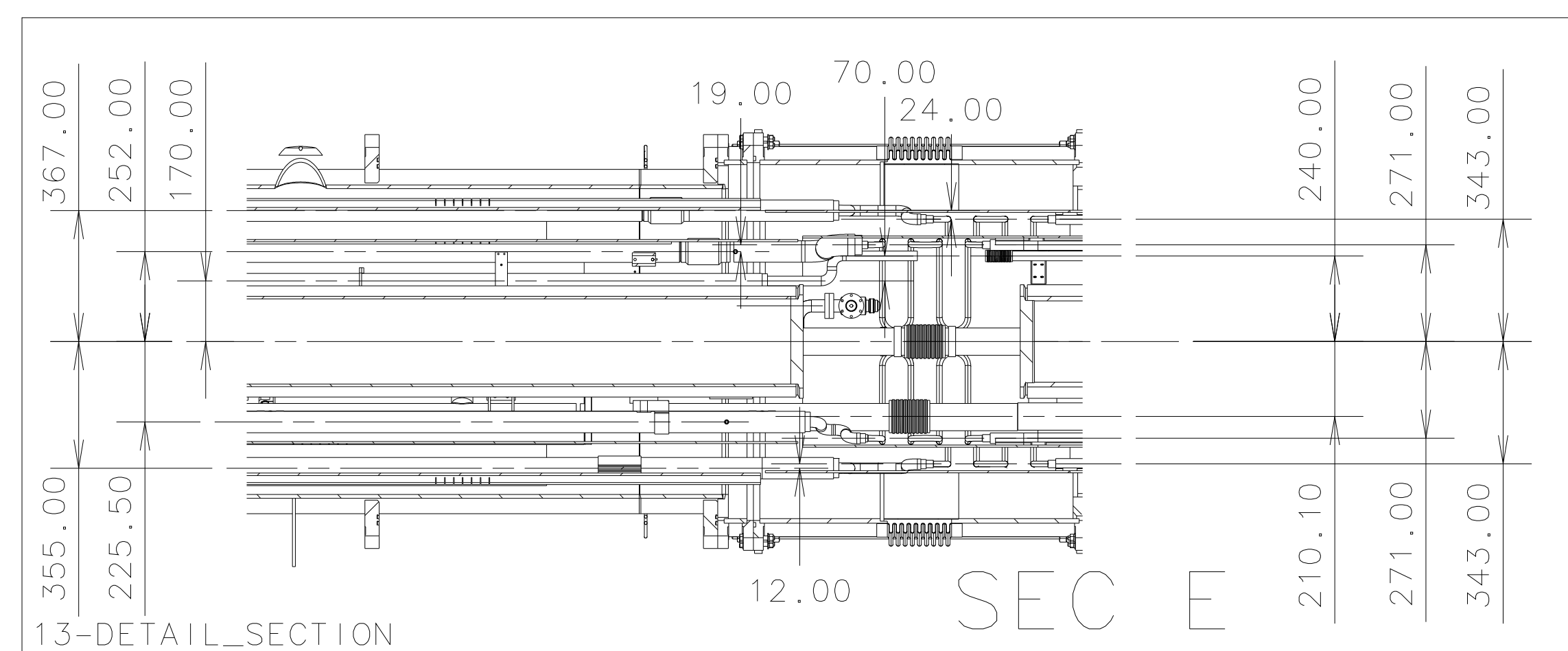


6-SECTION



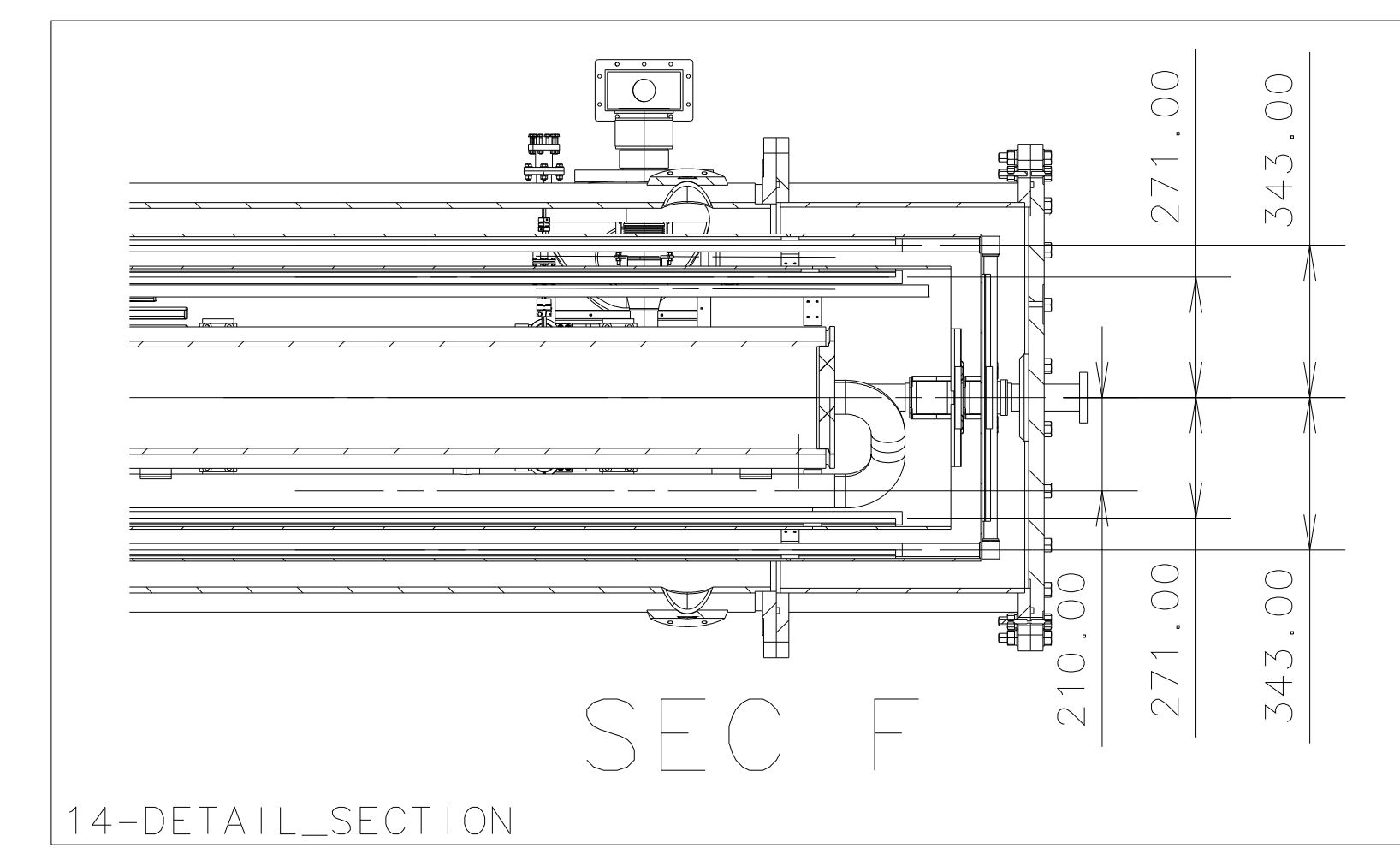
SEC D

12-DETAIL_SECTION



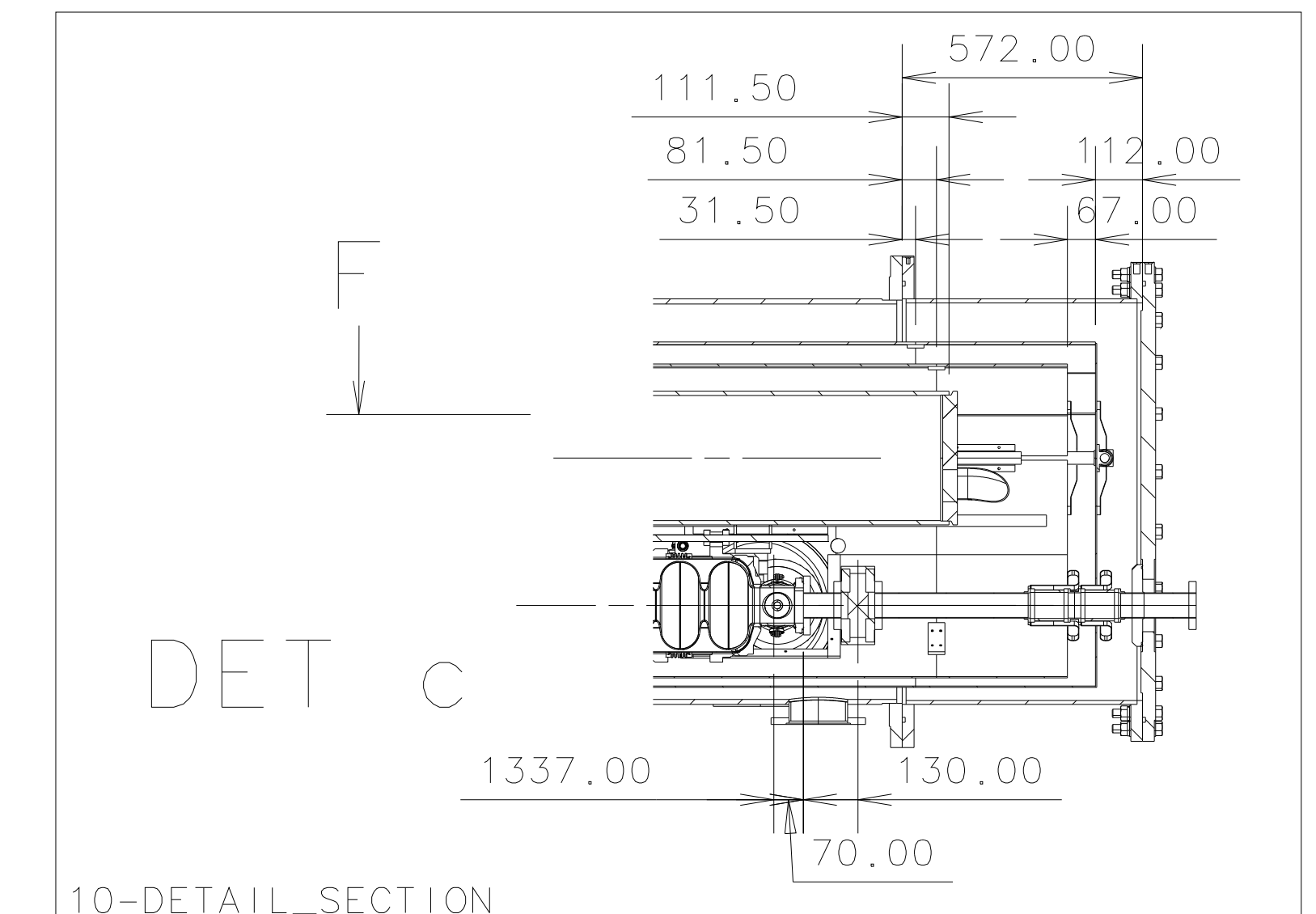
SEC E

13-DETAIL_SECTION



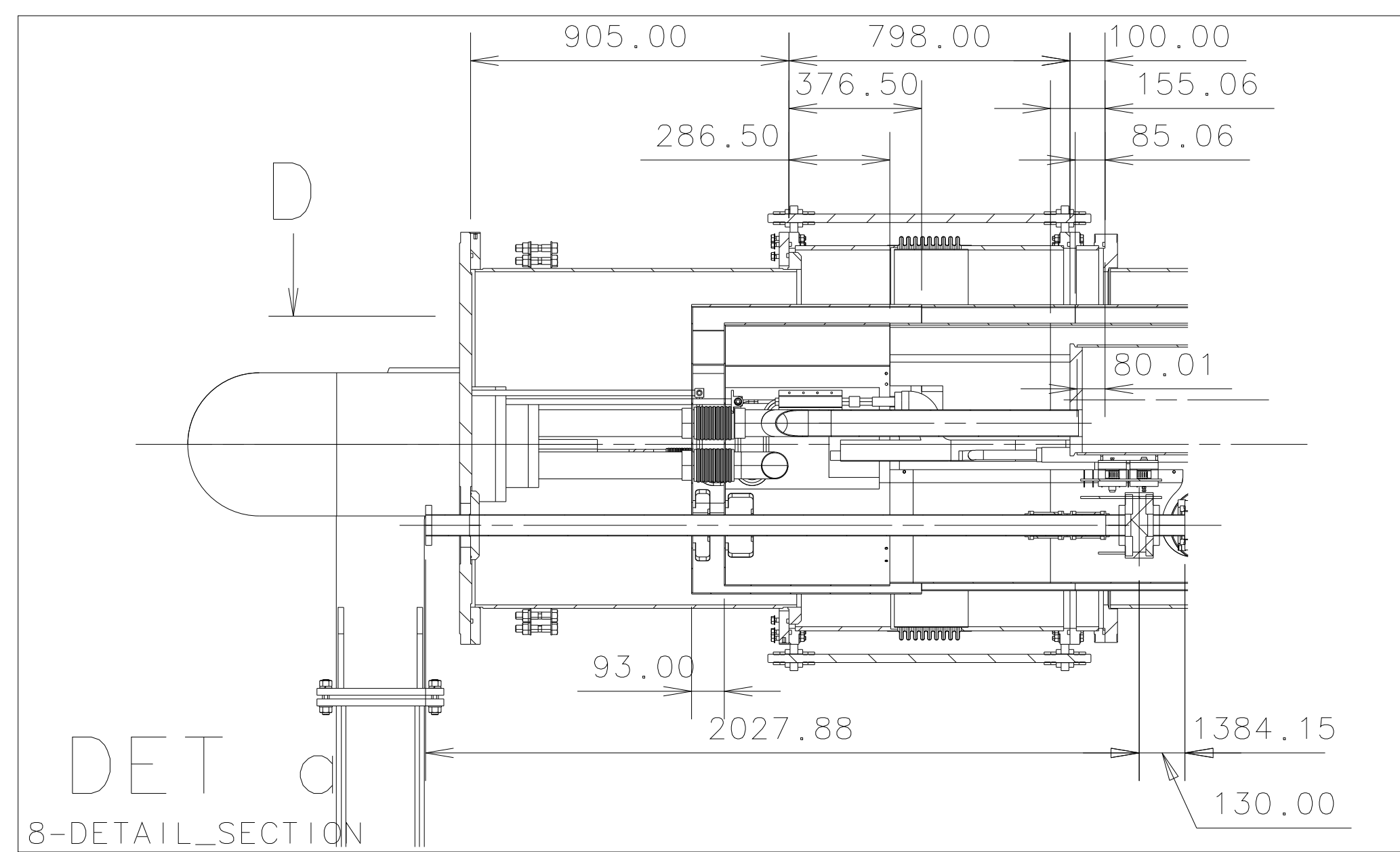
SEC F

14-DETAIL_SECTION



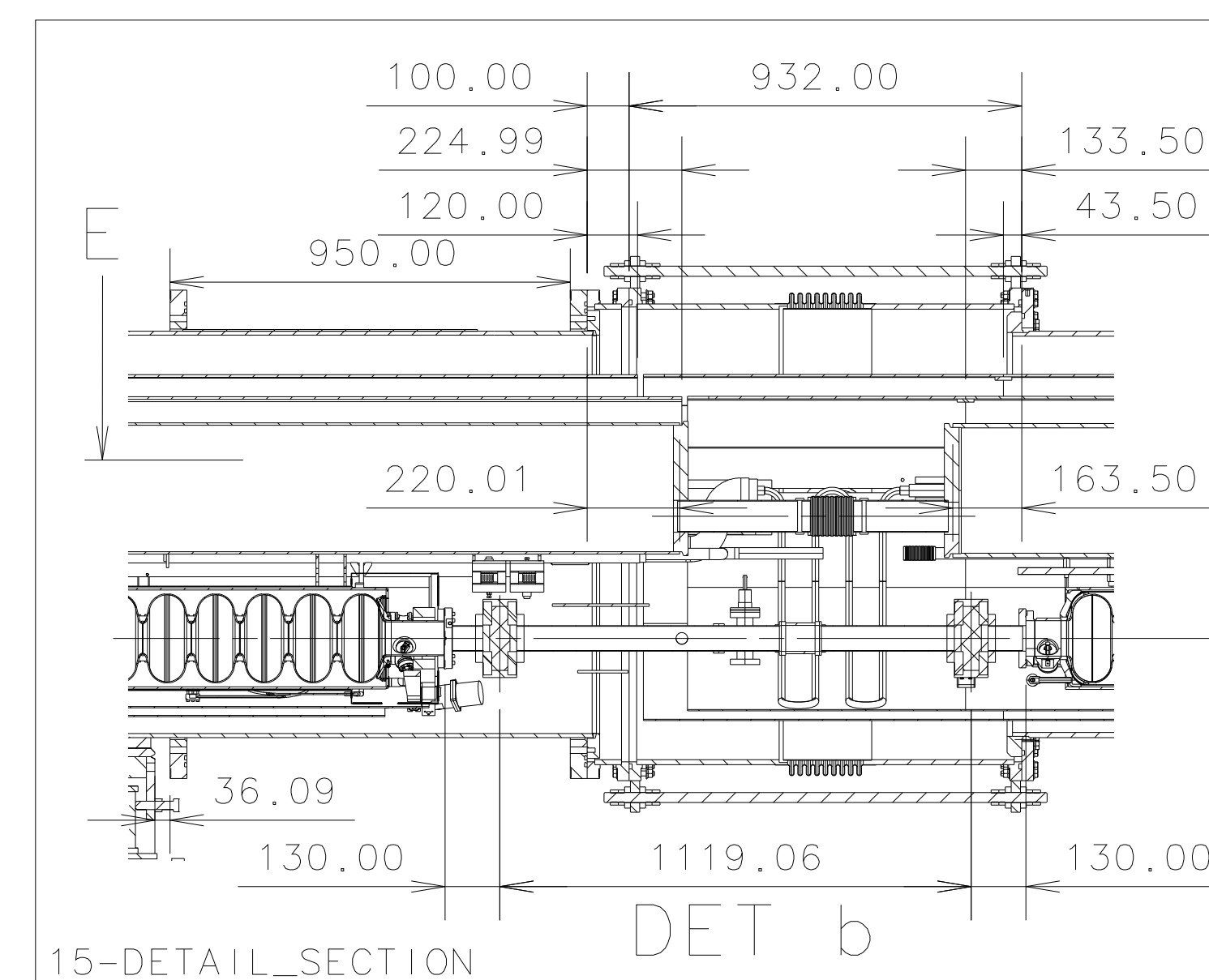
DET C

10-DETAIL_SECTION



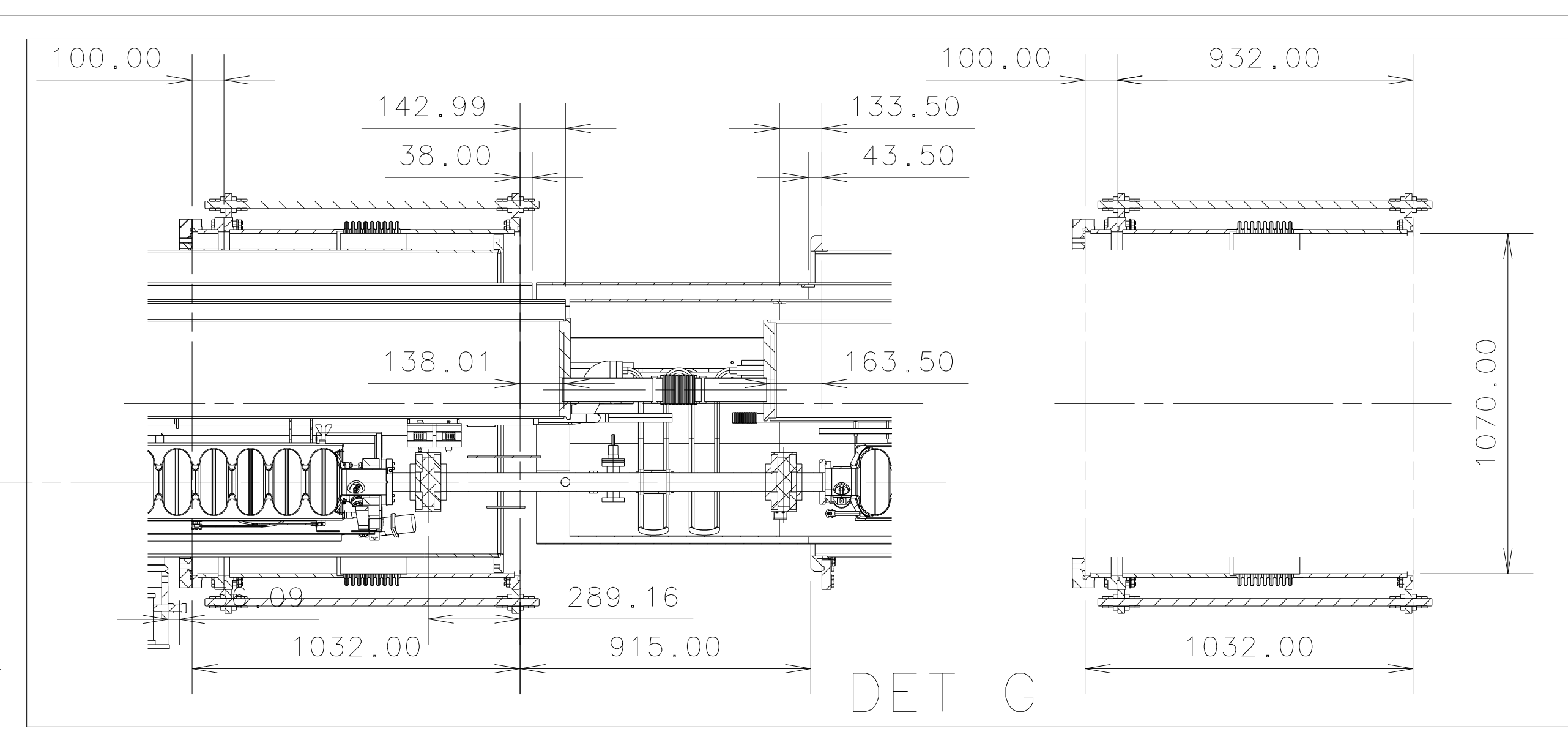
DET a

8-DETAIL_SECTION



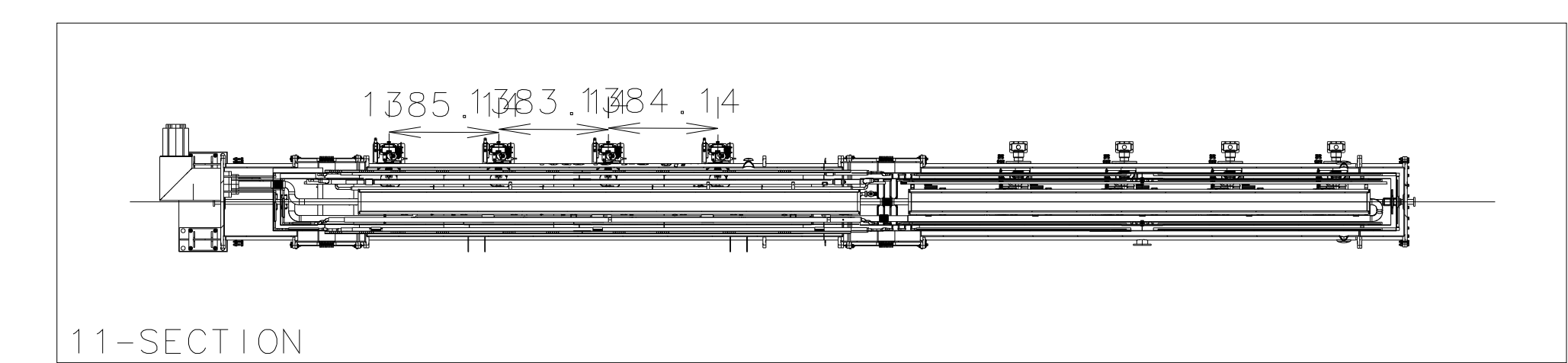
DET b

15-DETAIL_SECTION

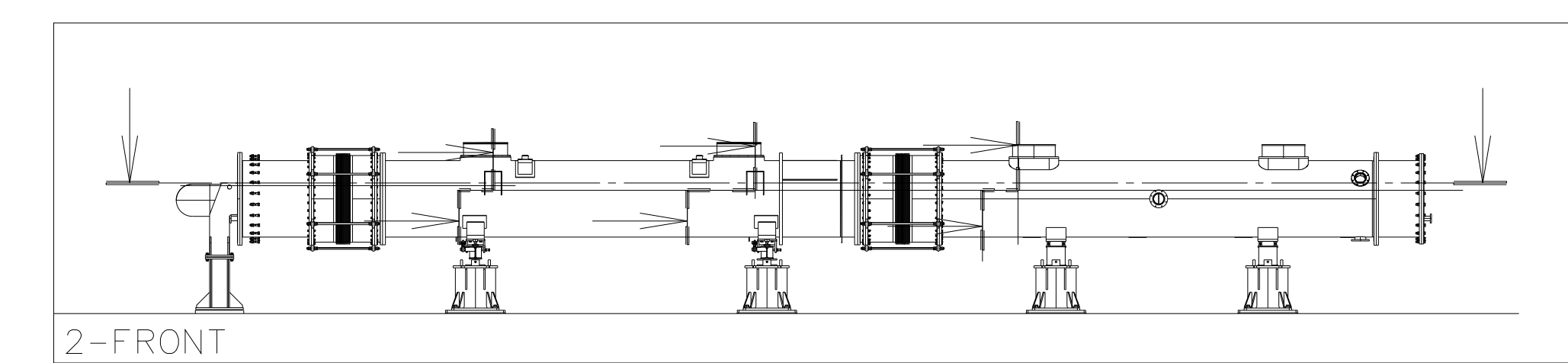


DET G

11-DETAIL_SECTION



11-SECTION



2-FRONT