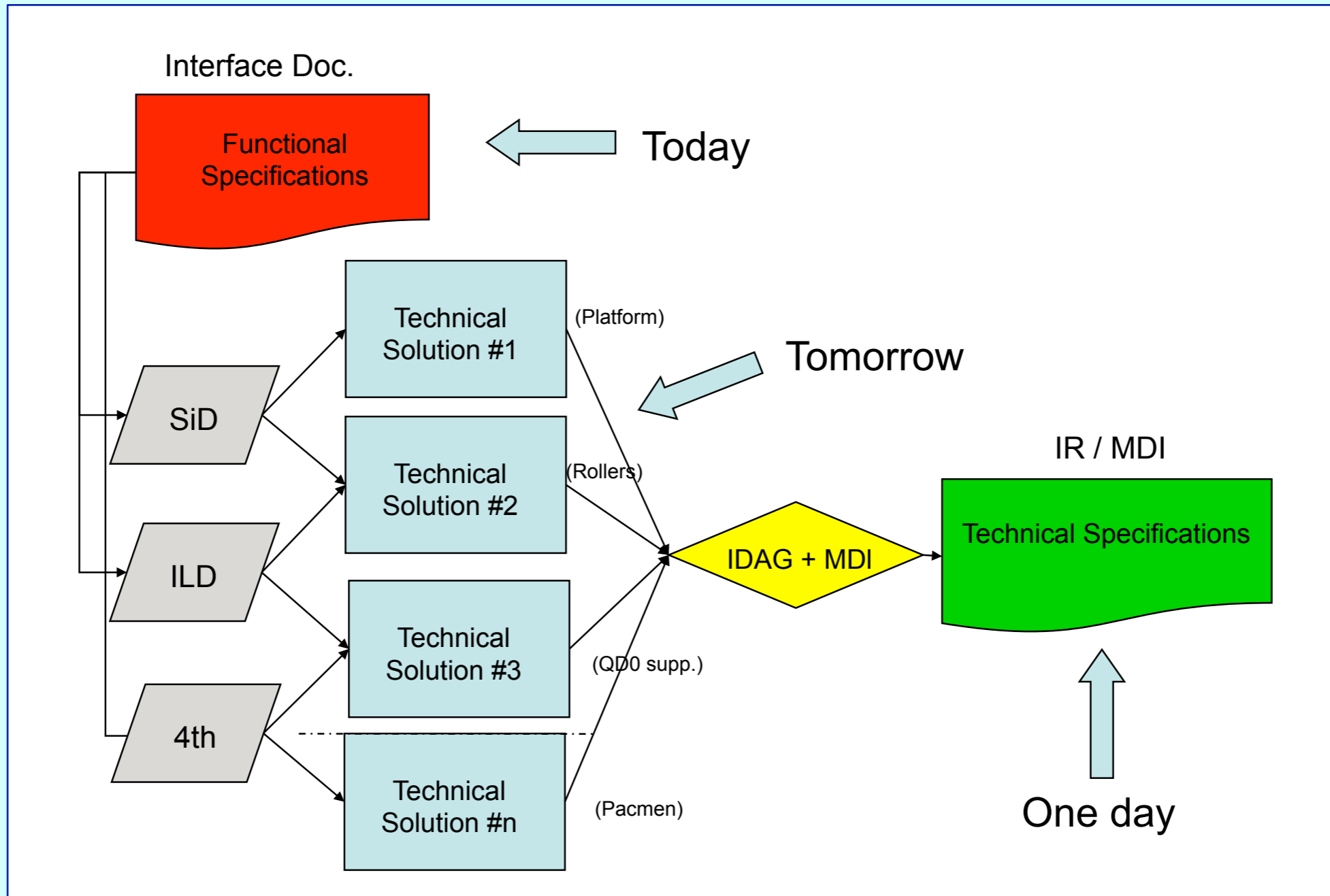


Many technical details need to be specified in bi-lateral agreements between the two final detectors:



Discussed with MDI people from SiD

Obvious synergies expected:

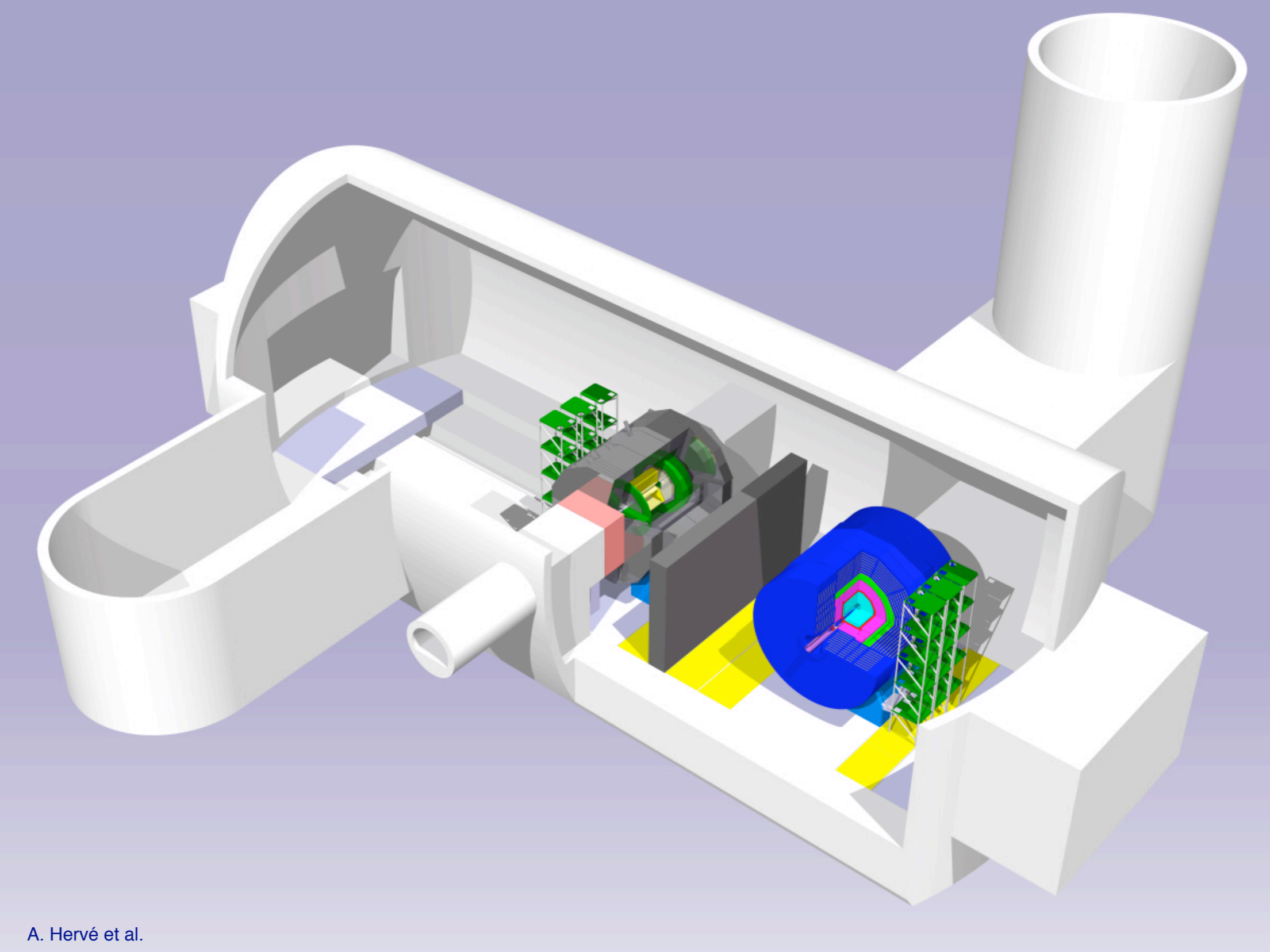
- Pacman shielding
- General hall design
- Common rail solution for ILD/SiD

Opportunity:

- A. Herve will be at SLAC for two months starting mid of May
 - Plans discussions with SiD and with BDS (A. Seryi)
 - will visit Hilman roller producer
- Agreed to send Klaus Sinram also to SLAC (for 1-2 weeks)
- Maybe also others?

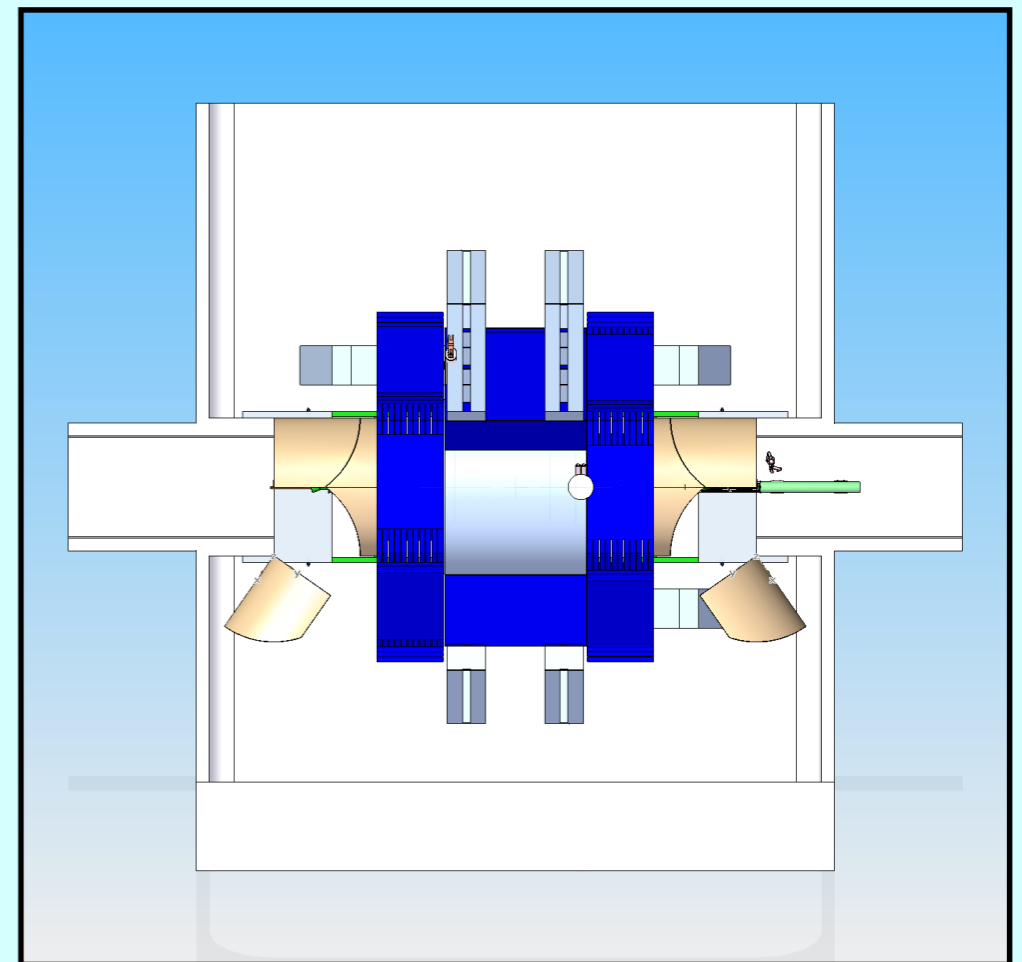
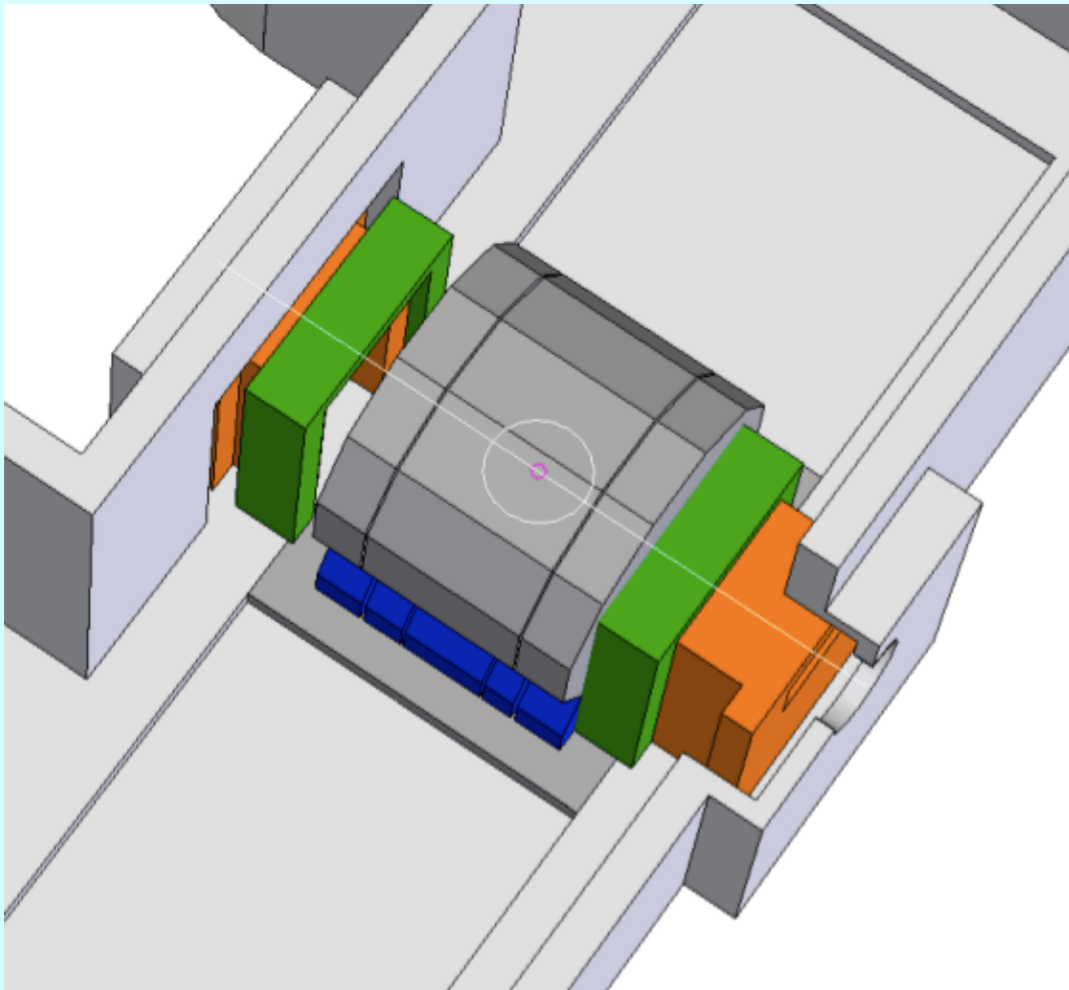
General feeling that we should be able to come to an agreement with SiD on a reasonable time scale

- But what about 4th?



A. Hervé et al.

- „Pacman“ Shielding of $\sim 2.5\text{m}$ concrete/iron is needed for radiation protection
- Solution needs to fit to both detectors
- Should be part of the bilateral discussions of the two final detectors



IDAG and RD are very interested in backgrounds other than pairs, e.g.:

- Beam halo muons from collimators
- Neutron backshine from dump
- Synchrotron radiation
- anything else?

Nothing done so far for ILD.

- Need task force here?
- Cross-conceptual?
- What could we do?