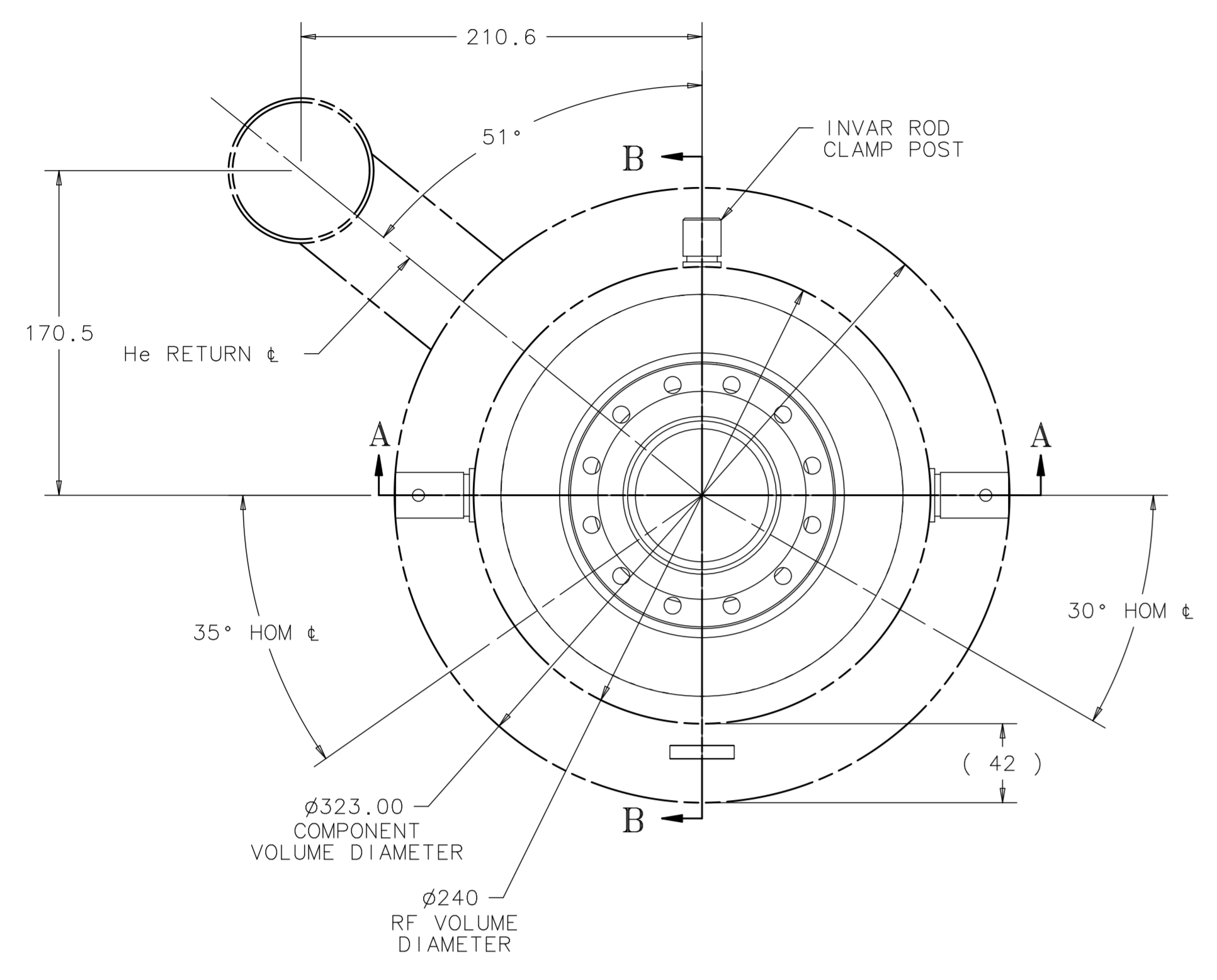
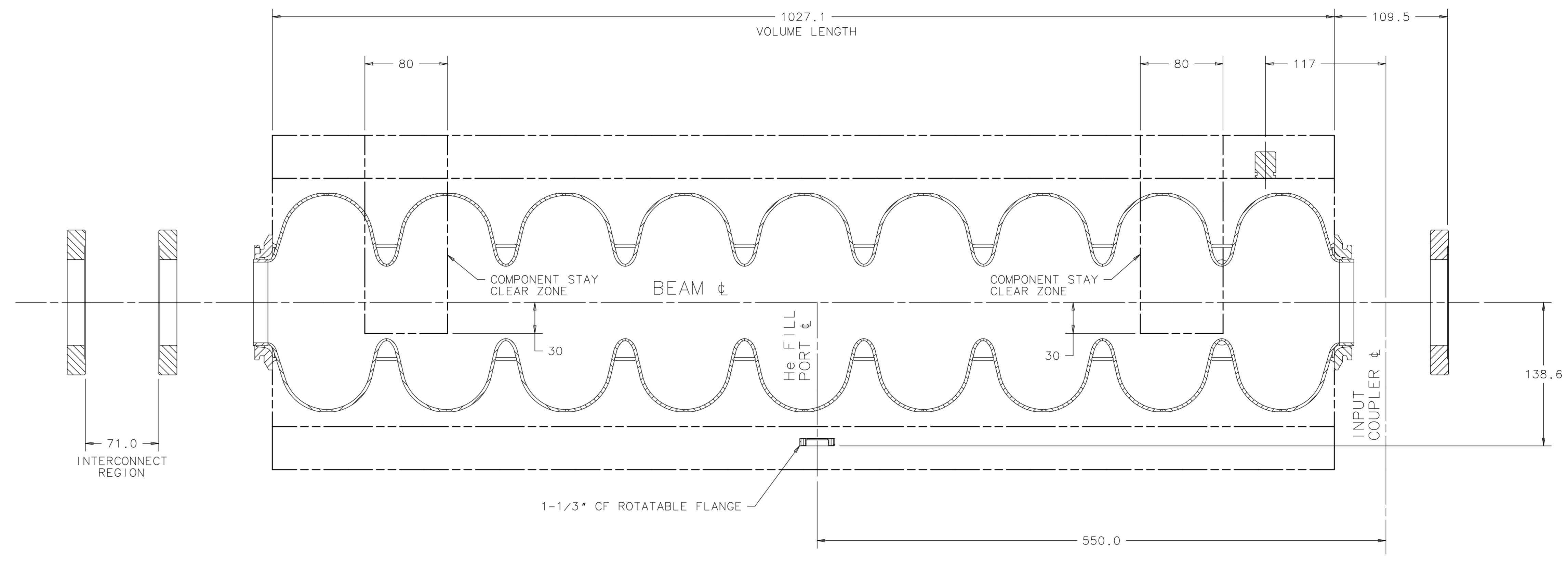


REVISION HISTORY				
ZONE	REV	DESCRIPTION	DATE	APPROVED
A		INITIAL RELEASE		
B		PARAMETER REVISION		

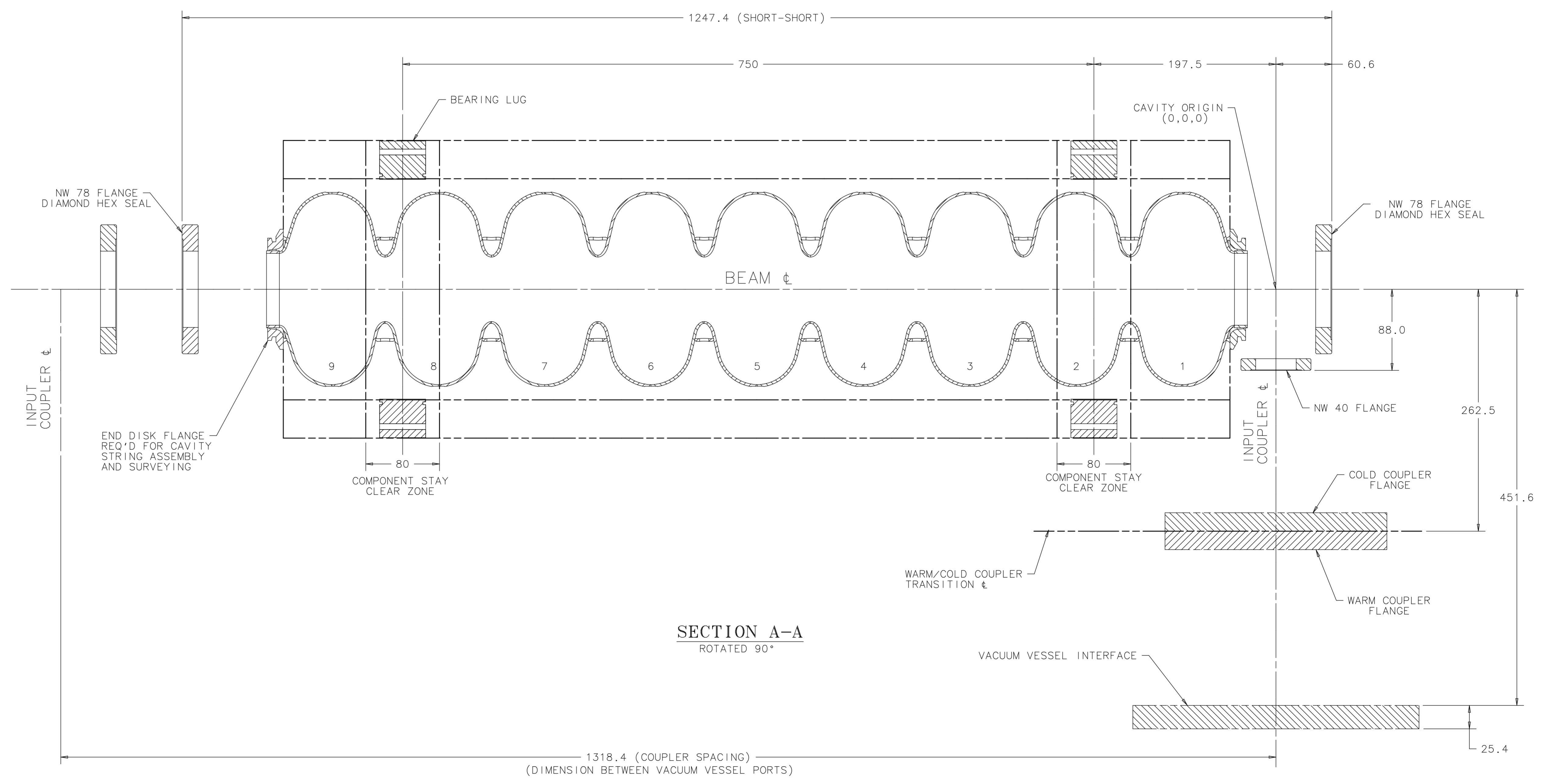


BEAM DIRECTION
e⁻



SECTION B-B

BEAM DIRECTION
e⁻



SECTION A-A
ROTATED 90°

FINISH N/A	UNLESS OTHERWISE SPECIFIED: DIMENSIONS ARE IN MILLIMETERS INTERPRET DIM PER ASME Y14.5M-1994 BREAK ALL SHARP EDGES .75 MAX. ALL MACH. SURFACES ± 0.2 MAX.	DRAWN BY C. GRIMM	DATE 17NOV08	 UNITED STATES DEPARTMENT OF ENERGY P.O. BOX 500, BATAVIA, IL 60510-0500
		CHECKED BY	DATE	
MATERIAL N/A	TOLERANCES X ± 2 Y ± 0.8 XX ± 0.13 ANGLE $\pm 1^\circ$	ENGINEERED BY J. KEREBY	DATE 17NOV08	TITLE 1.3GHz HELIUM VESSEL CAVITY ENVELOPE CAVITY ENVELOPE ASSEMBLY
		DATABASE DESY EDMS	TEAM/GROUP	SCALE 1:4
NEXT ASSY USED ON APPLICATION		CAD 1-DEAS	SOLID MODEL NO. N/A	SHEET NO. A0 CAGE CODE 0U5R6 SCALE 1:4 DO NOT SCALE DRAWING SHEET OF 1