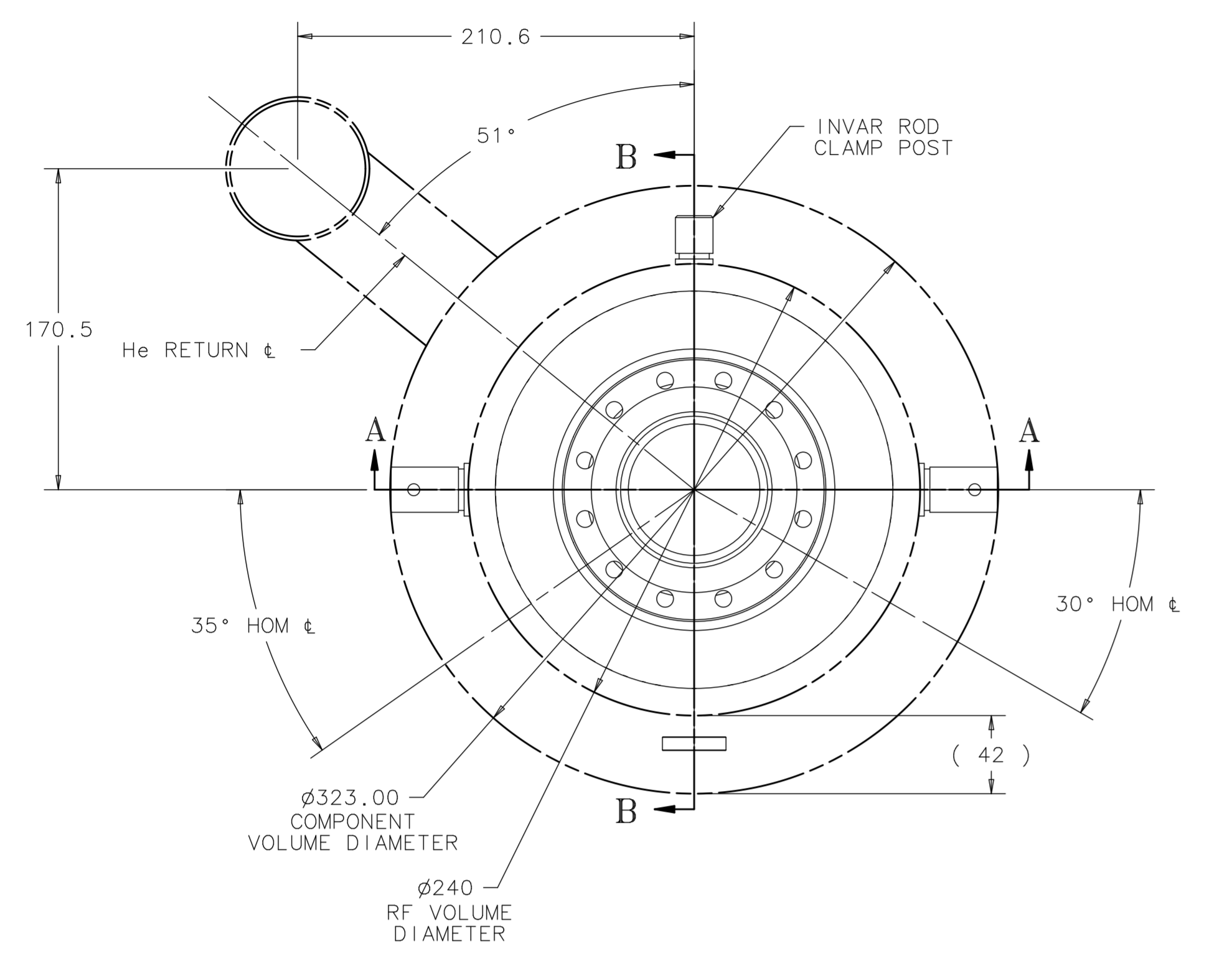
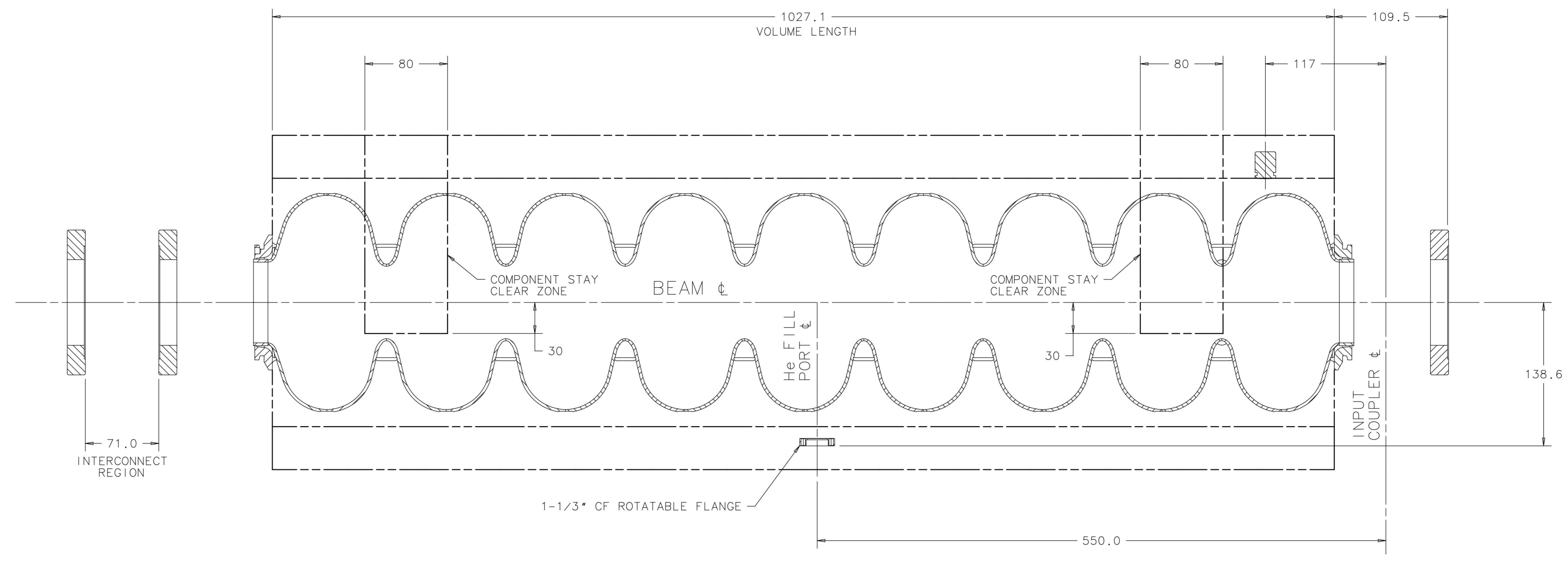


REVISION HISTORY				
ZONE	REV	DESCRIPTION	DATE	APPROVED
A		INITIAL RELEASE		
B		PARAMETER REVISION		

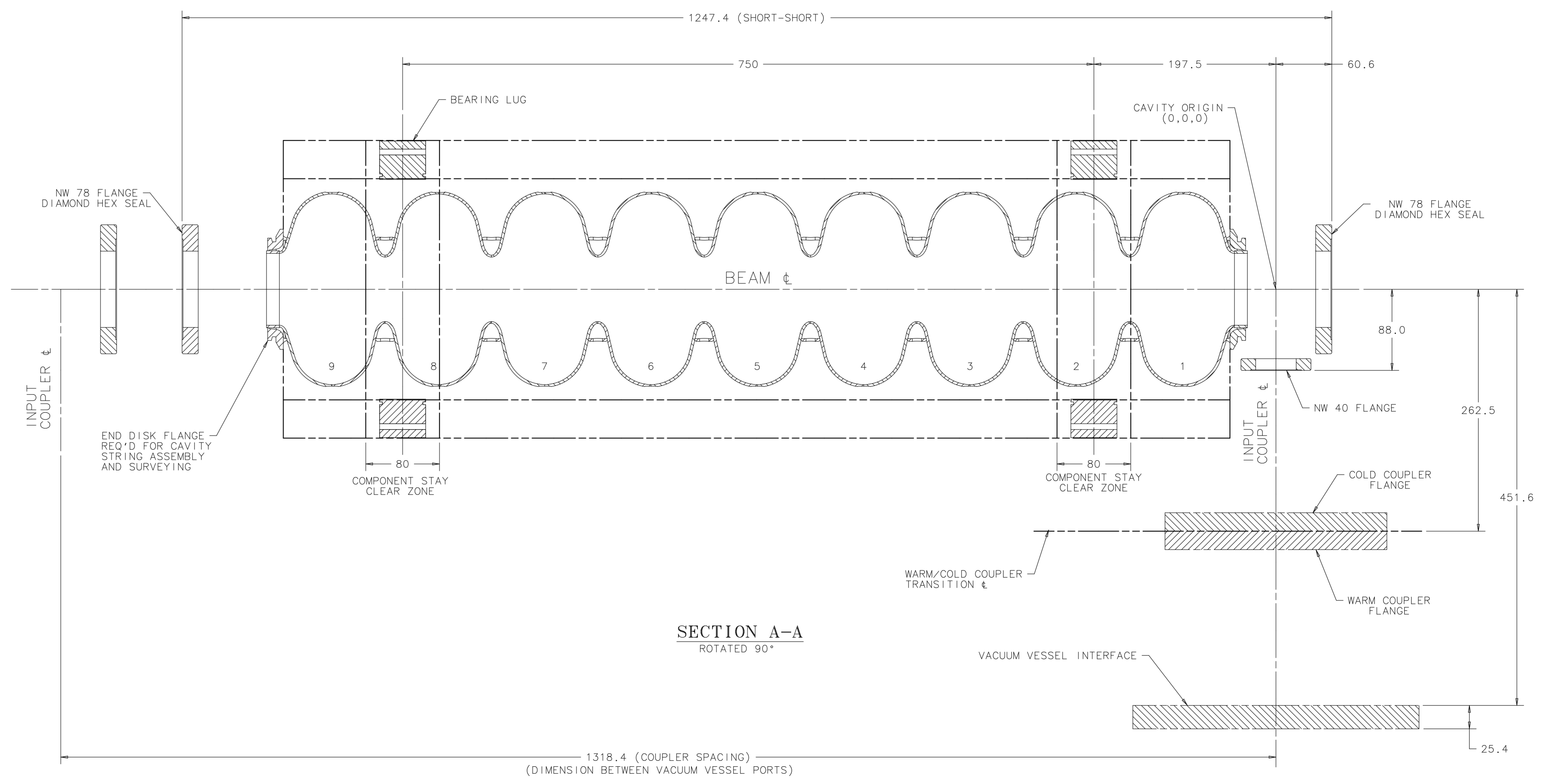


BEAM DIRECTION
e⁻



SECTION B-B

BEAM DIRECTION
e⁻



SECTION A-A
ROTATED 90°

FINISH	N/A	UNLESS OTHERWISE SPECIFIED: DIMENSIONS ARE IN MILLIMETERS INTERPRET DIM PER ASME Y14.5M-1994 BREAK ALL SHARP EDGES .75 MAX. ALL MACH. SURFACES ± 0.2 MAX.	DRAWN BY C. GRIMM	DATE 17NOV08	<p>FERMI NATIONAL ACCELERATOR LABORATORY UNITED STATES DEPARTMENT OF ENERGY P.O. BOX 500, BATAVIA, IL 60510-0500</p>
MATERIAL	N/A	TOLERANCES	CHECKED BY	DATE	
		X + 2	ENGINEERED BY	DATE	<p>1.3GHz HELIUM VESSEL CAVITY ENVELOPE ASSEMBLY</p>
		.X + 0.8	J. KEREBY	17NOV08	
		.XX + 0.13	DATABASE	TEAM/GROUP	<p>AO 0U5R6</p>
		ANGLE $\neq 1^\circ$	DESY_EDMS		
			CAD	SOLID MODEL NO.	SCALE
			1-DEAS	N/A	1:4
					DO NOT SCALE DRAWING
					SHEET OF 1