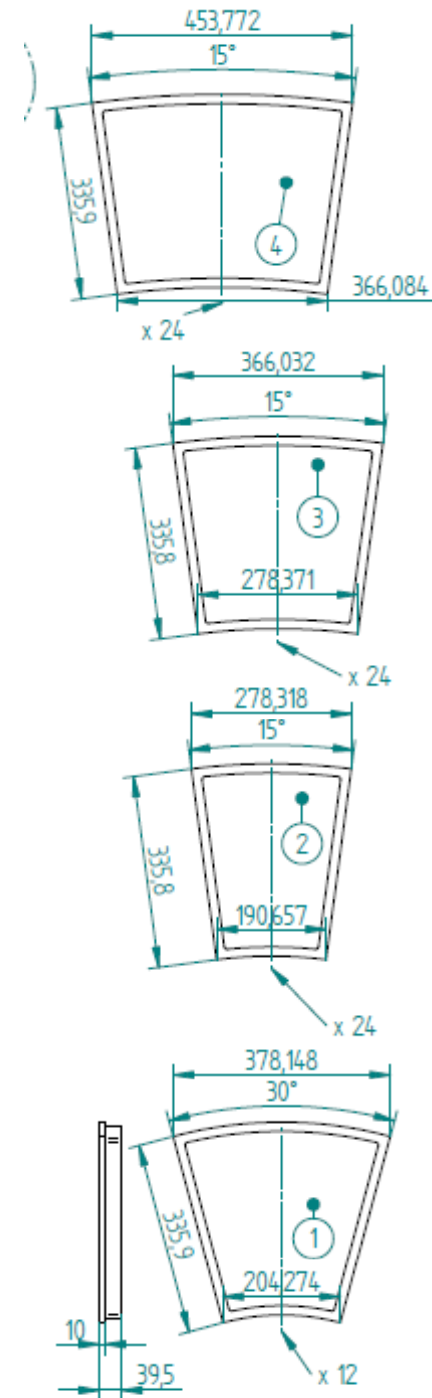


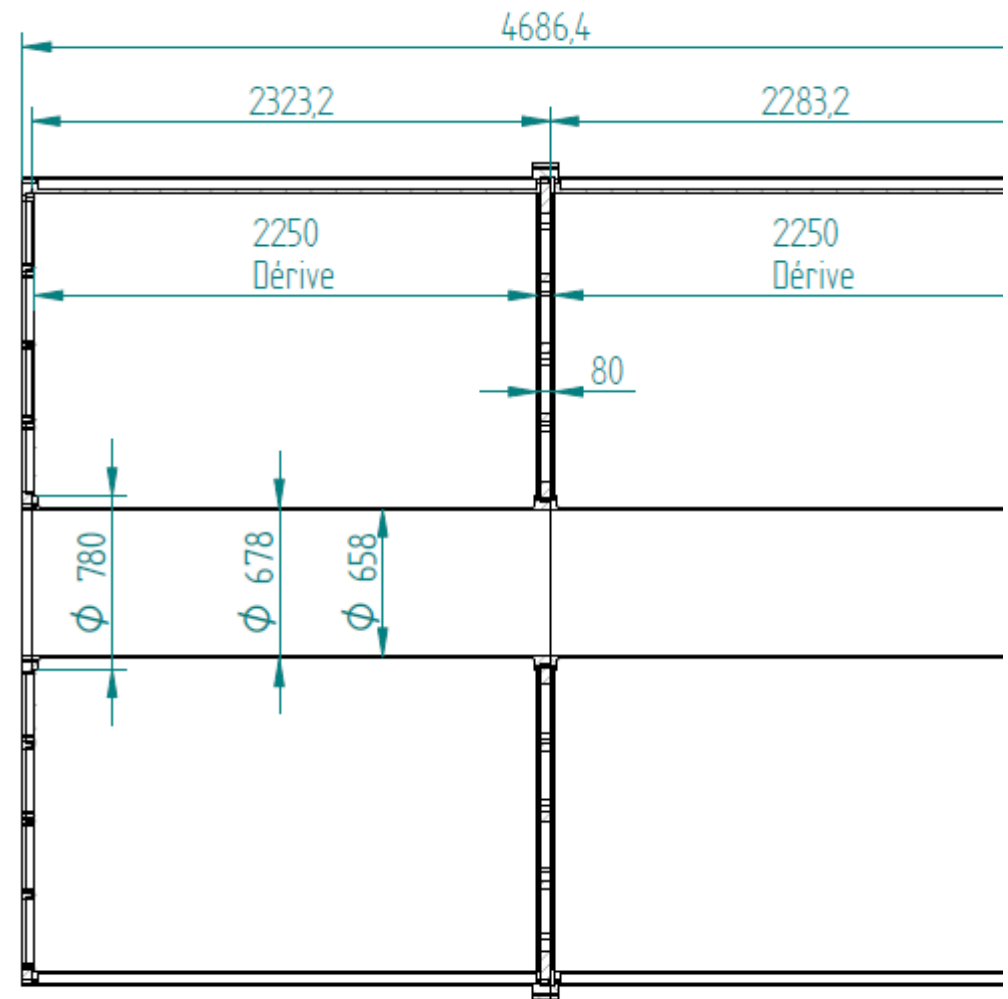
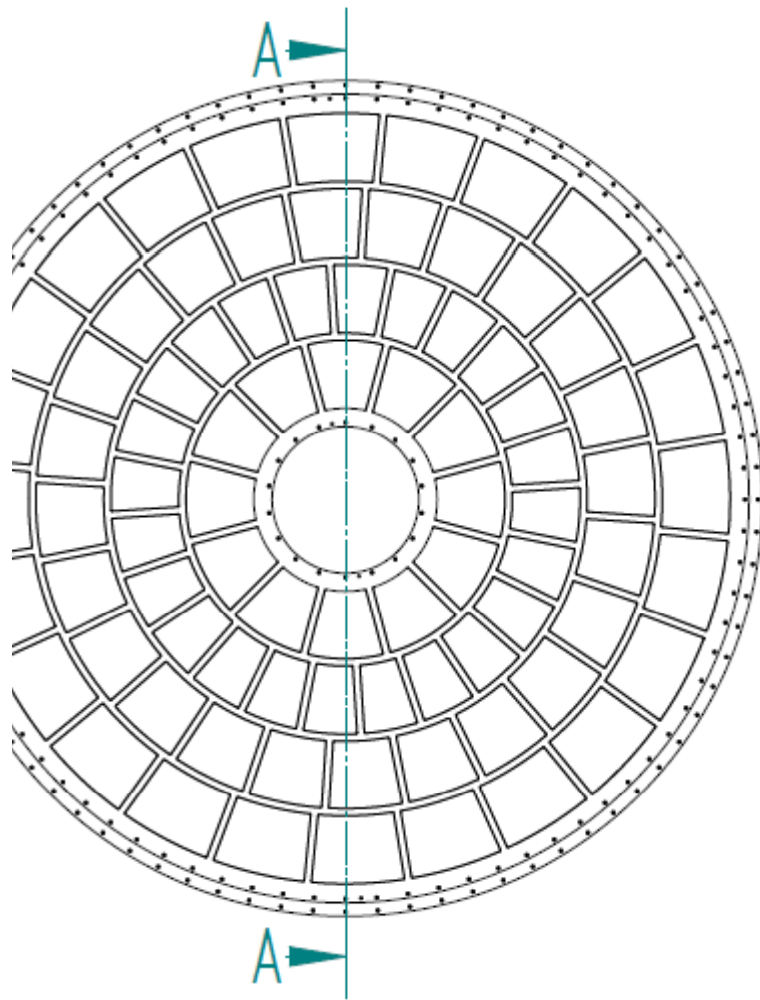
# Drawings for an ILC-TPC endplate

D. Attié, P. Colas, M. Riallot

# Endplate panels

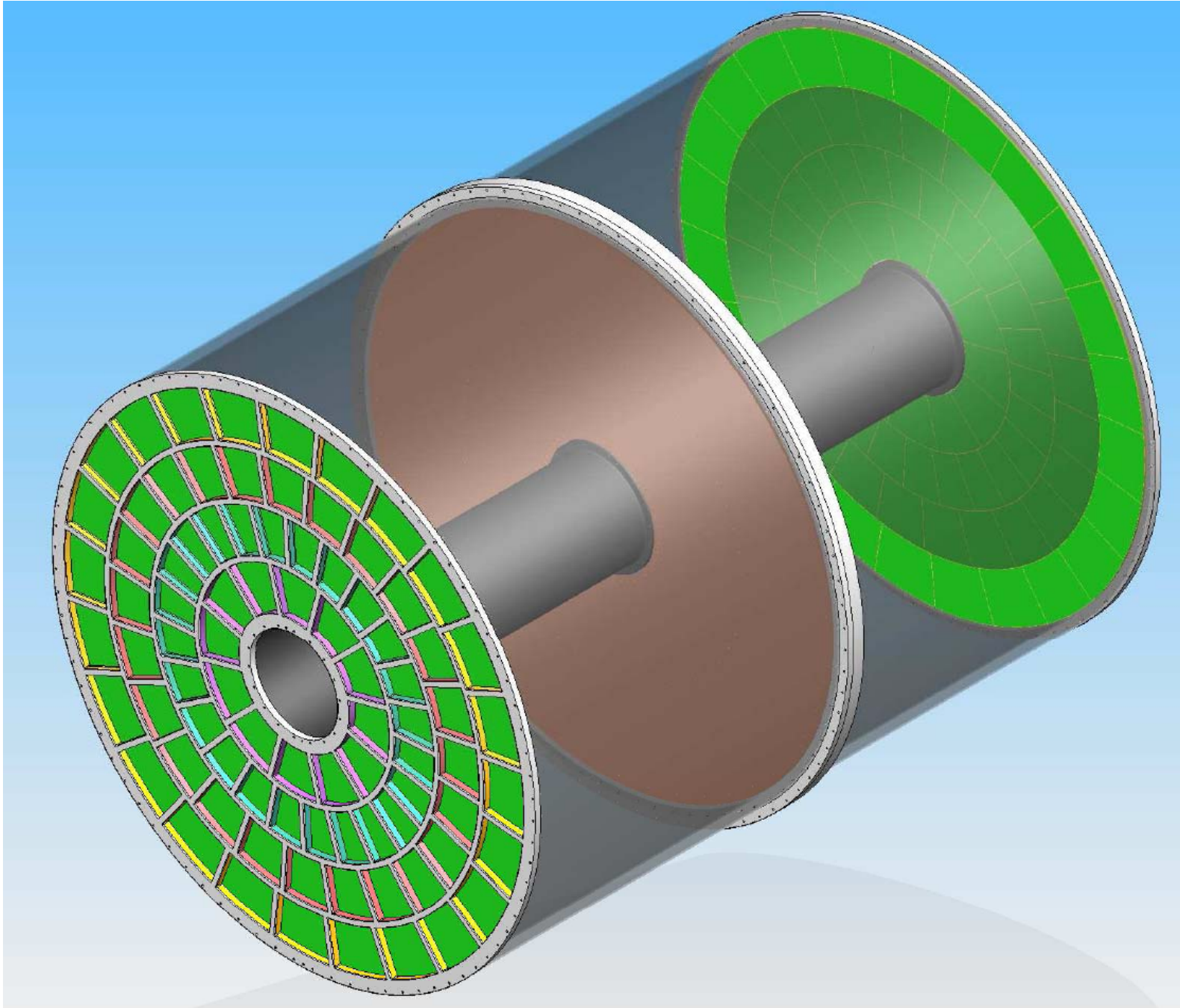
Dimensions from 'after-Cambridge'  
Panel height 336 mm  
Panel width : from 278 to 454  
About 6800 pads per panel

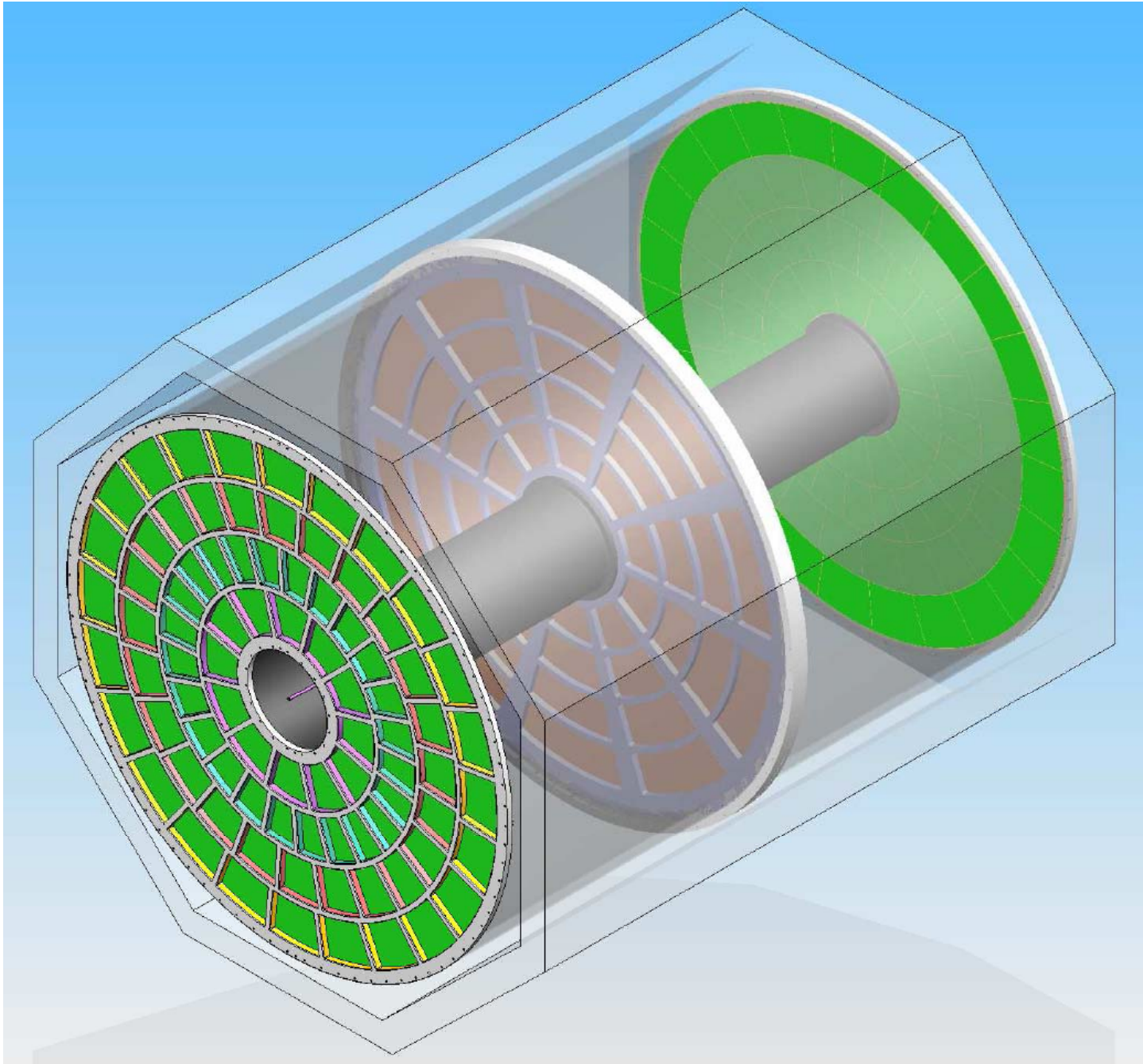


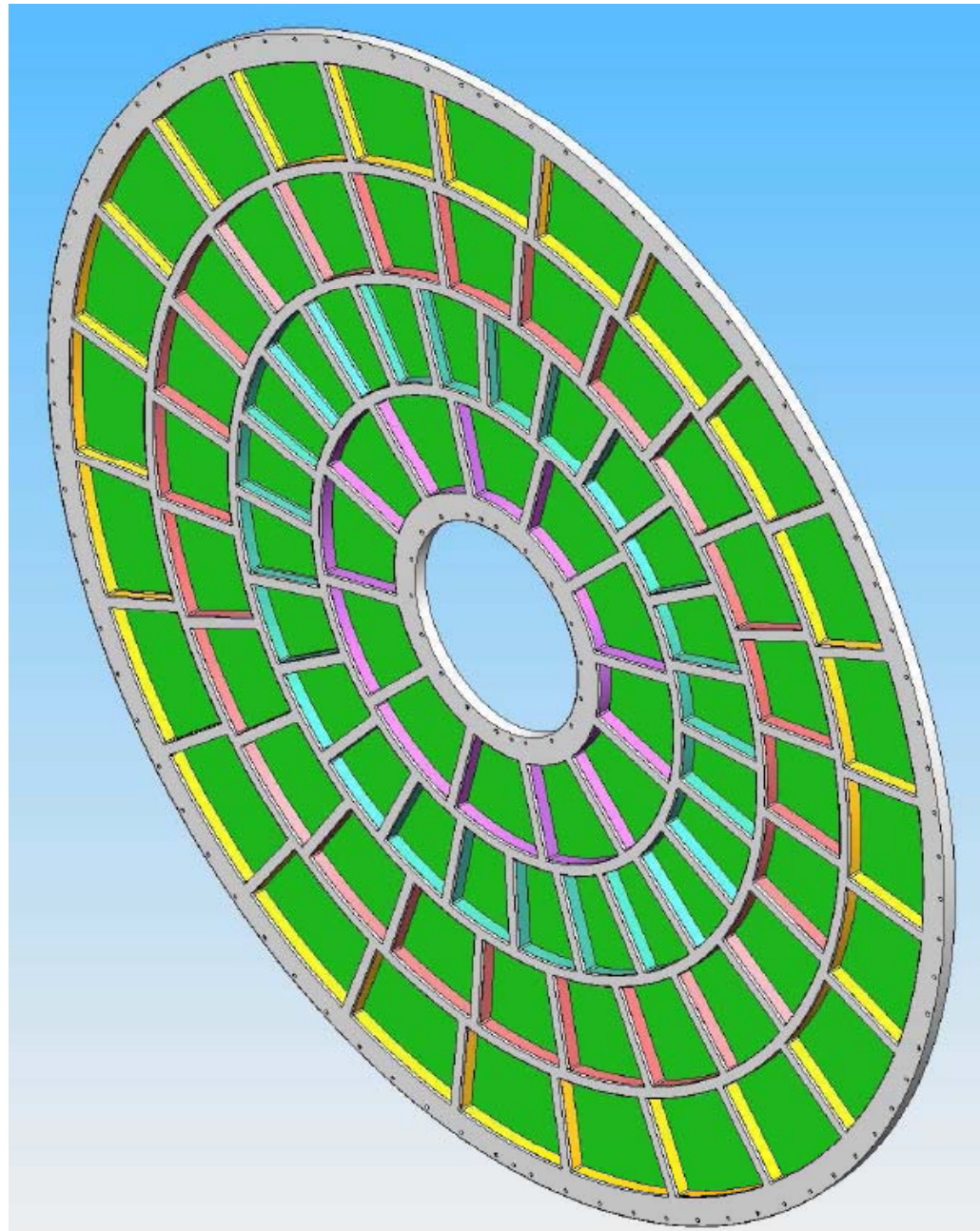


SECTION A-A

Matériau:	H:11 js:13	DATE:	09/11/2008
AU4G	h:11 lrg:3,2	17/12/2008	RIALLO
Ech:	1	Titre:	A







Total weight  
400kg per side  
(with Al)