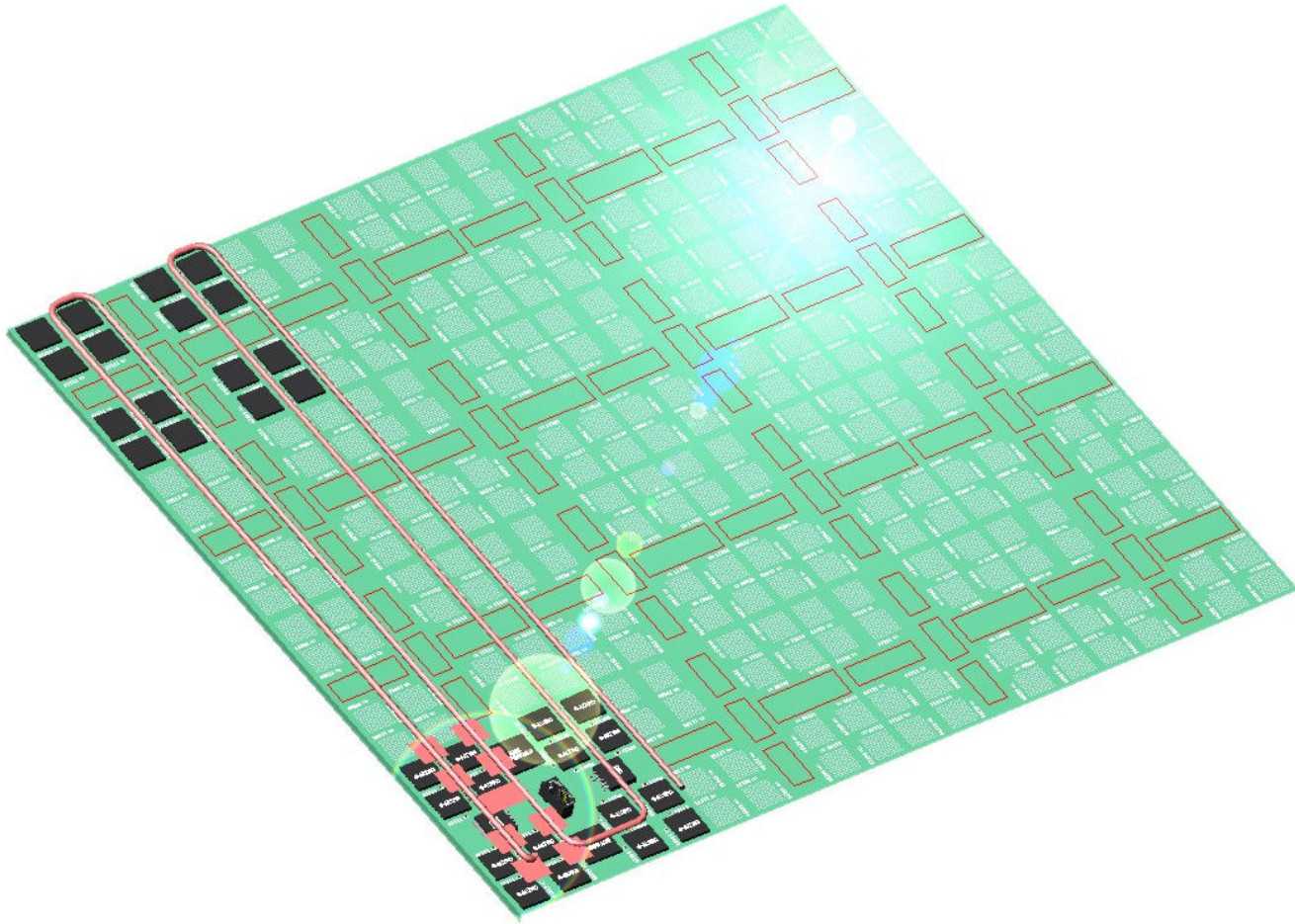
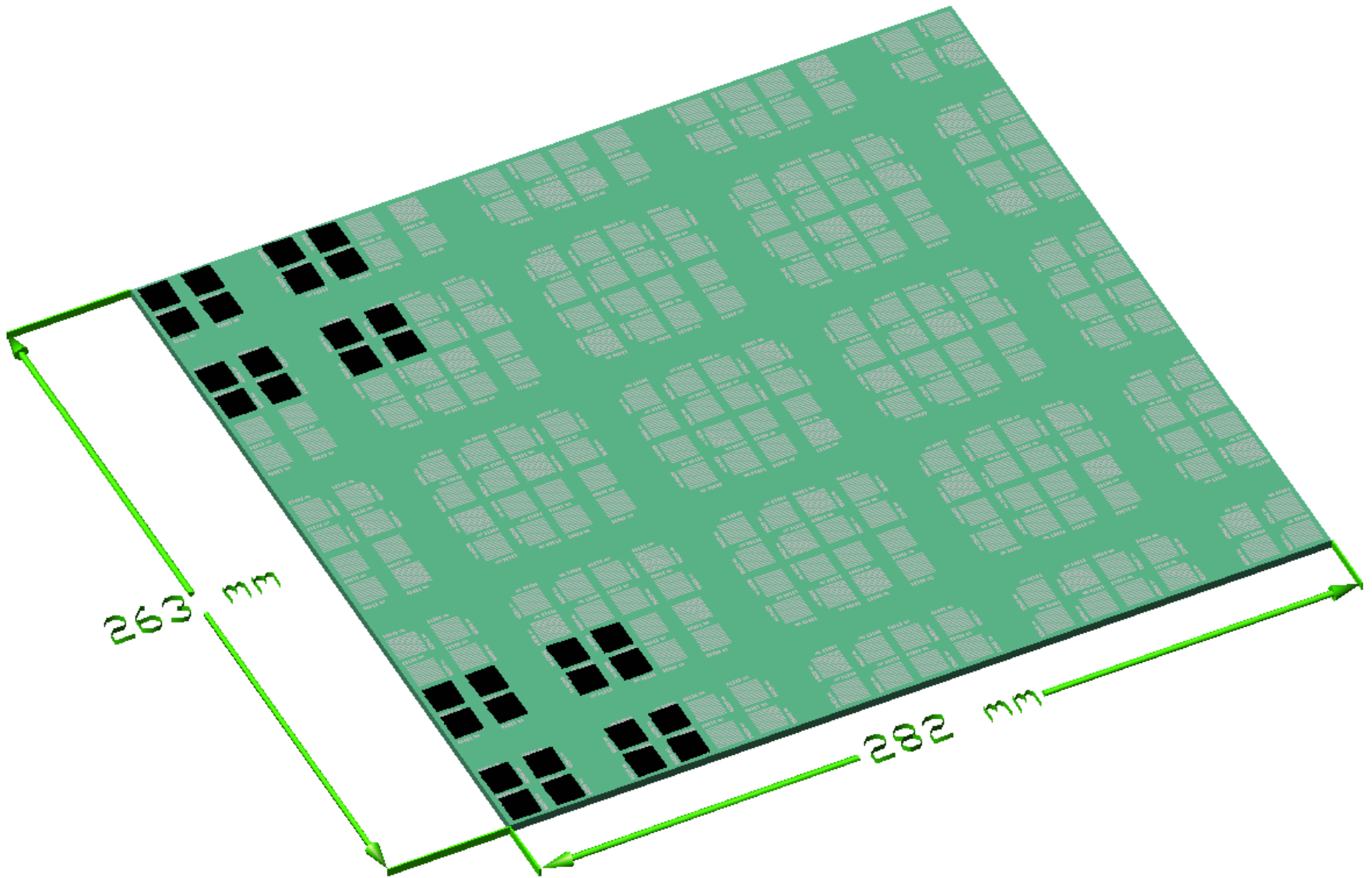


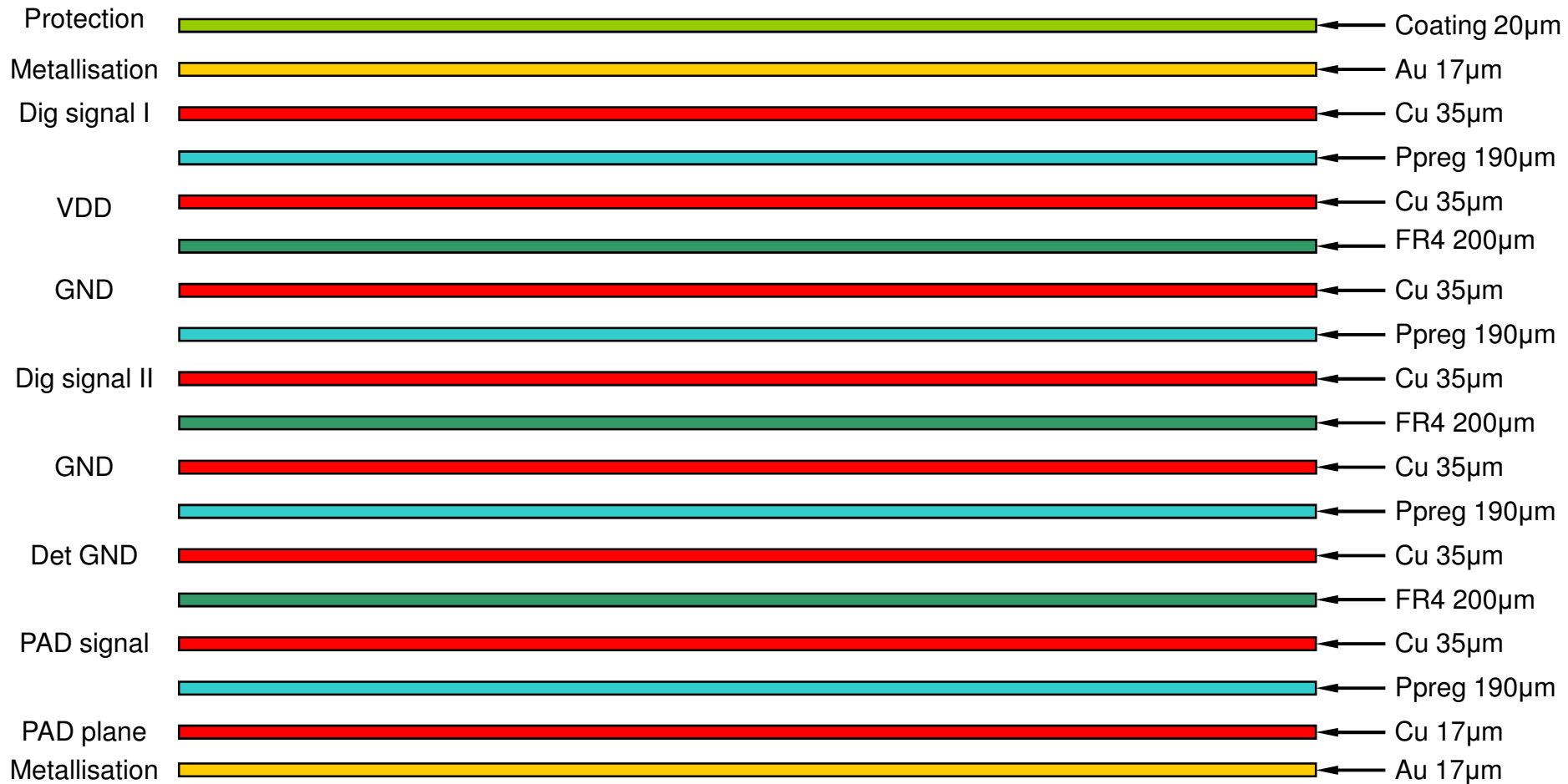
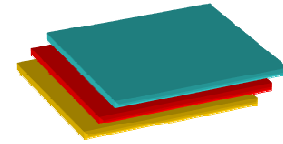
New readout plane



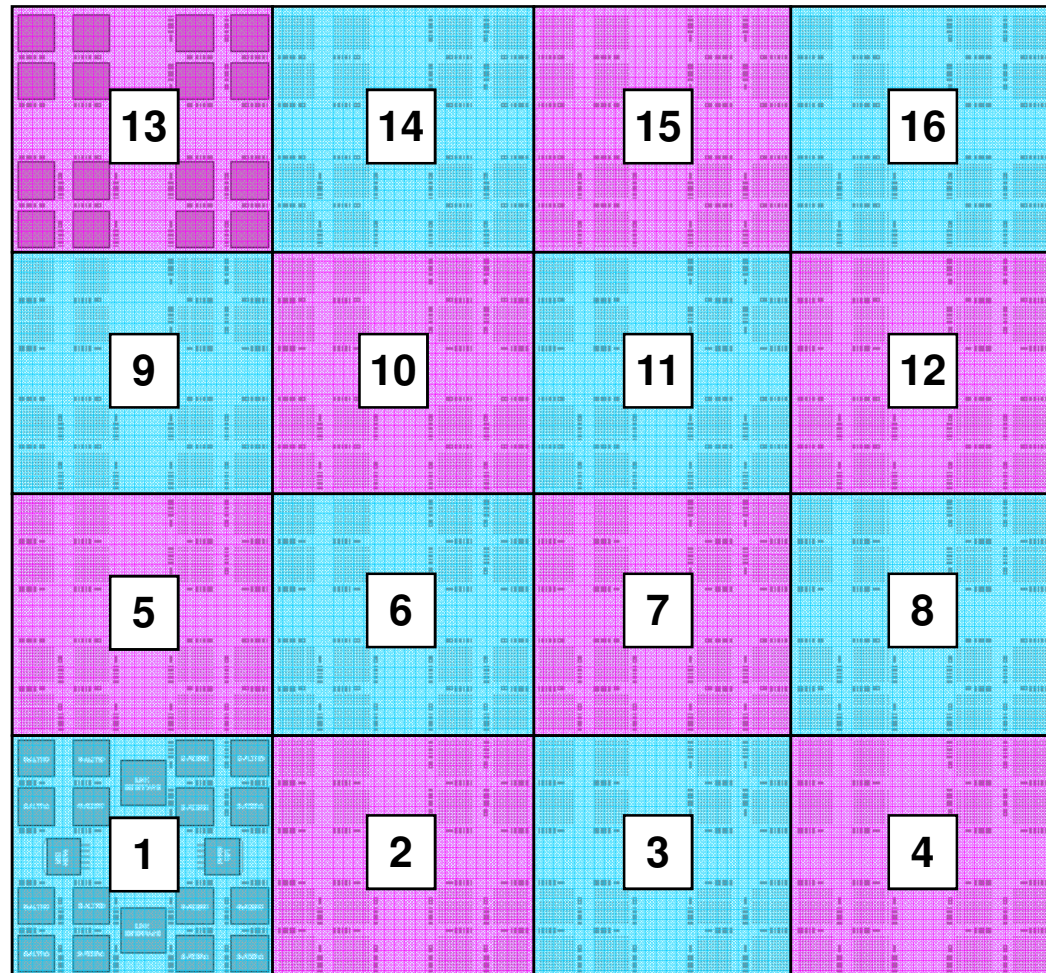
readout plane size



LAYER STACKUP

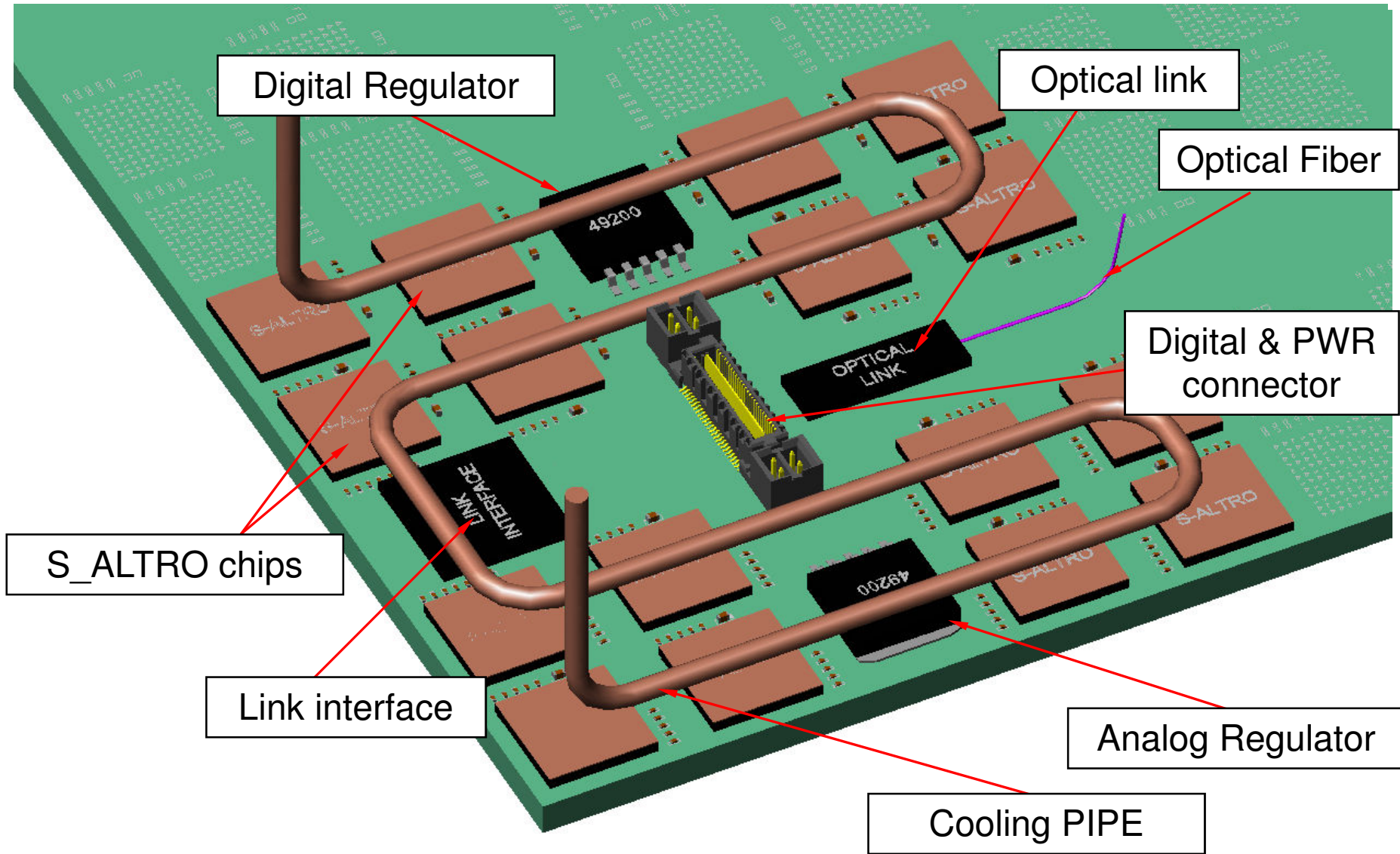


PCB DISTRIBUTION

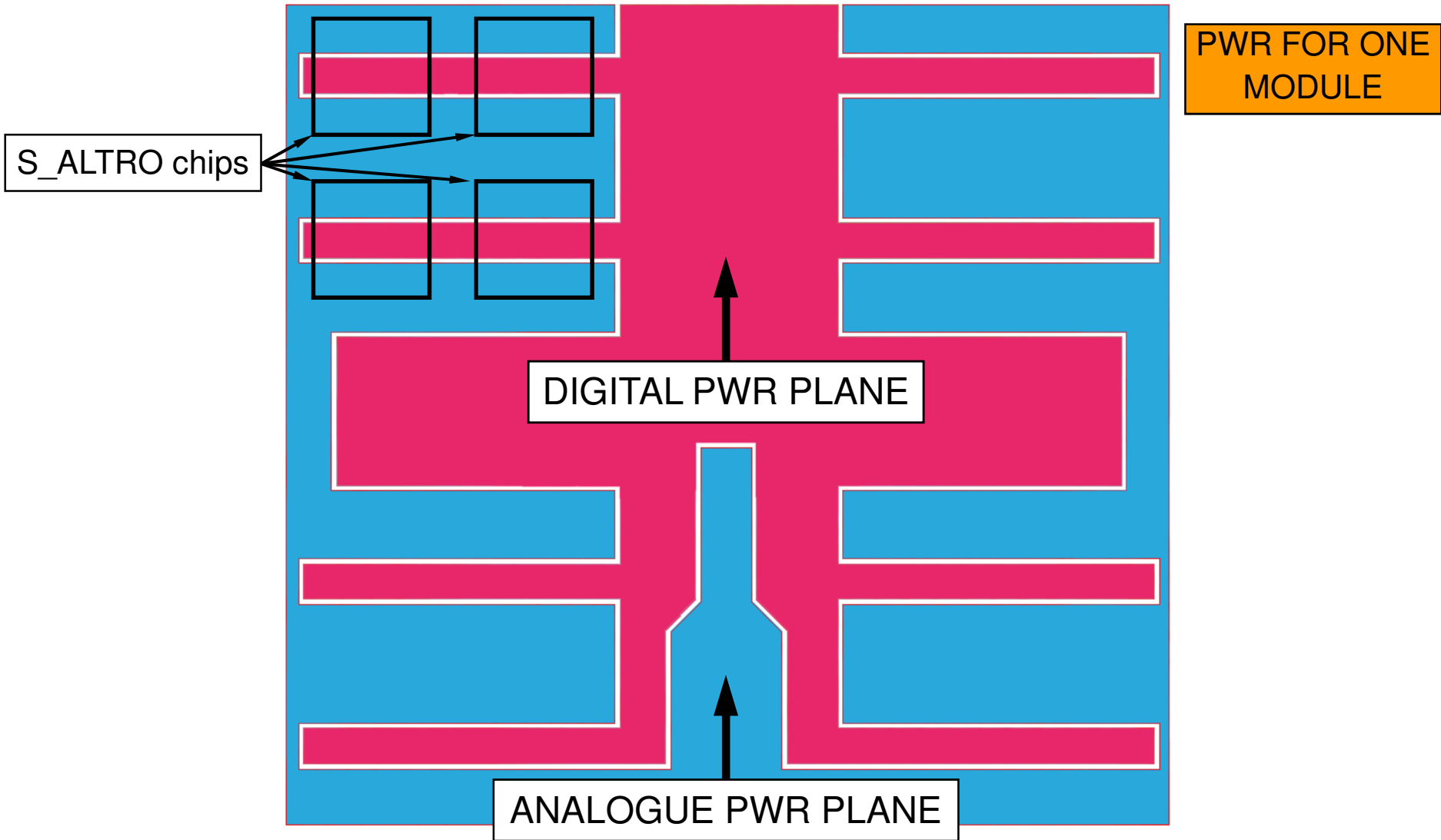


The readout plane is
Divided in 16 Modules

MODULE DETAILS

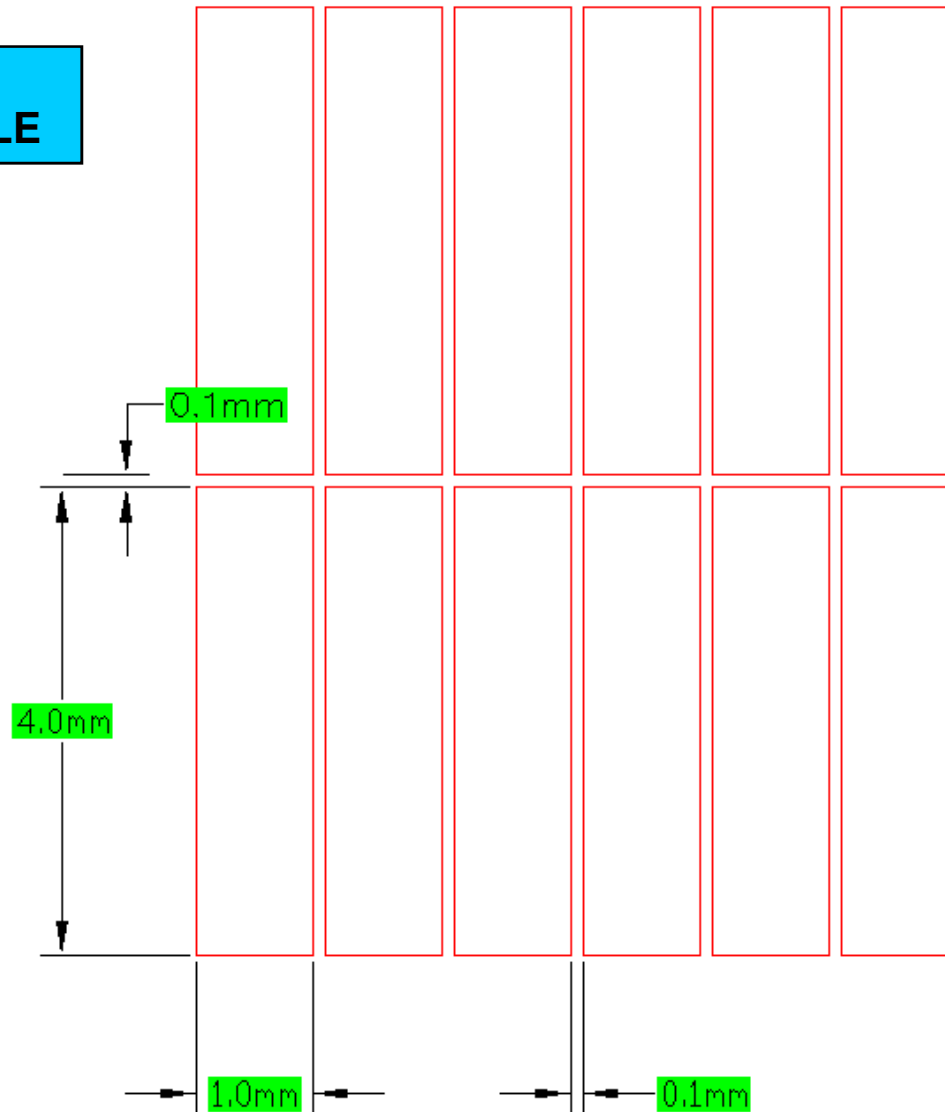


POWER PLANE

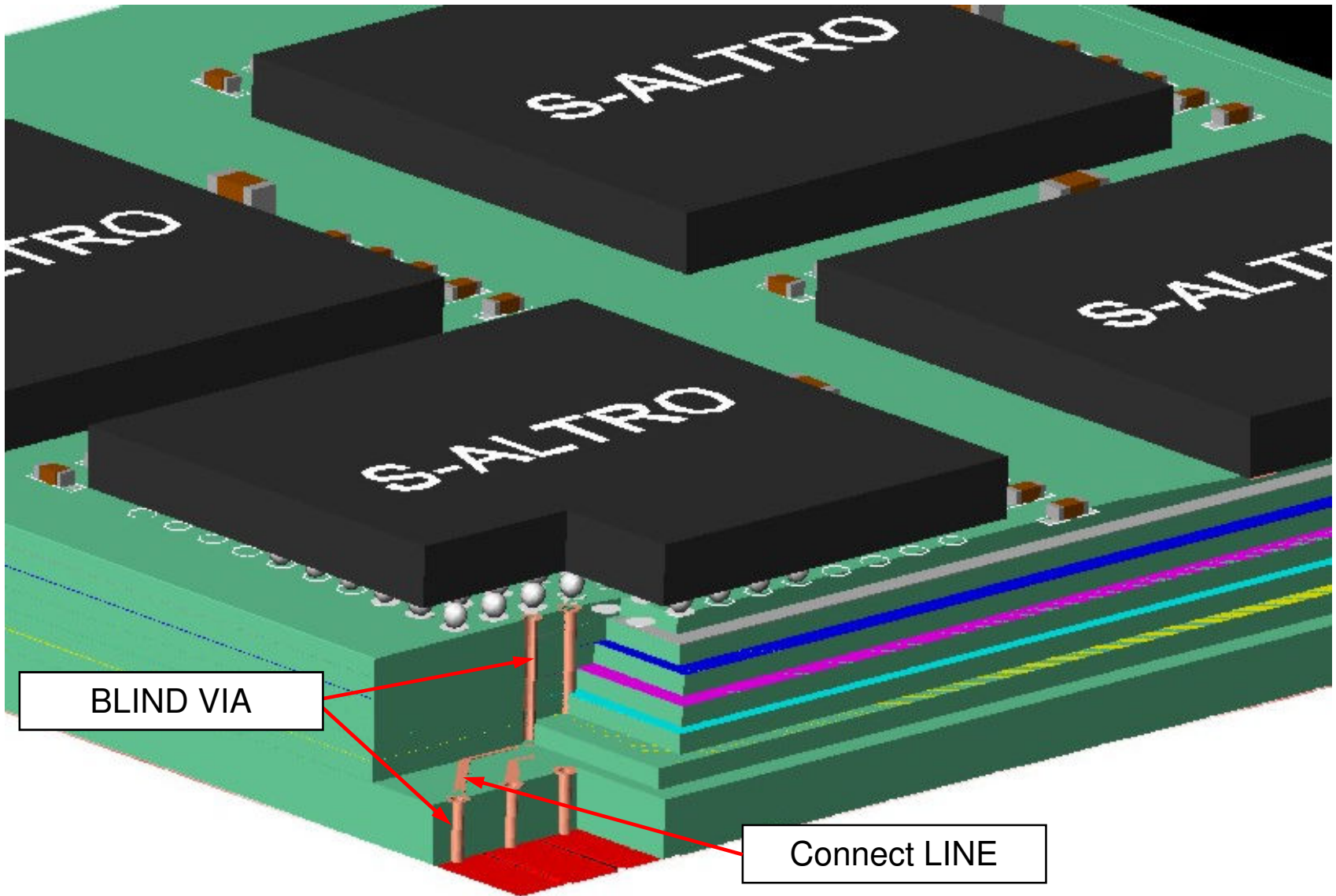


PADS SIZE

1024 PADS
FOR EACH MODULE

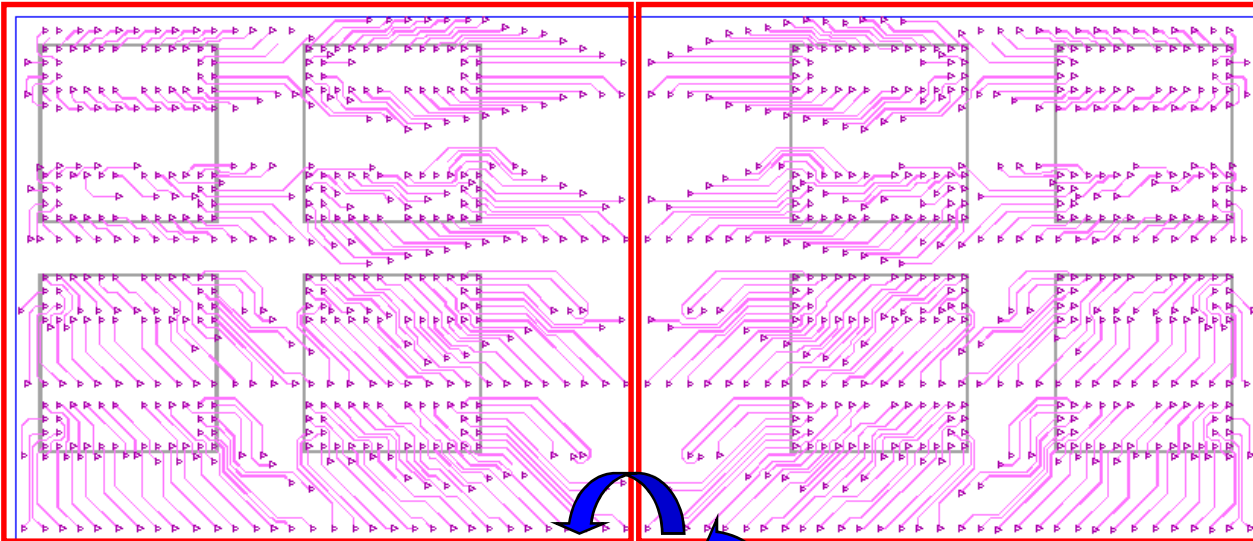


PADS CONNECTIONS



LAYER 7, ANALOG SIGNAL

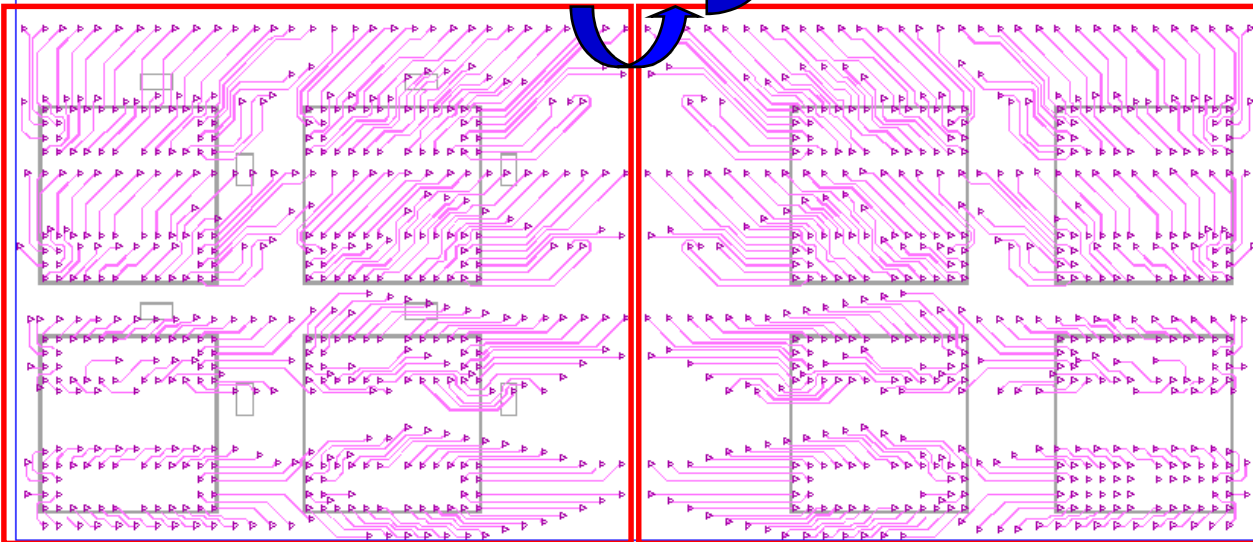
4



3

Lines length
Shortest : 0.8 mm
Longest : 10 mm

1



2

CONCLUSION

- How to make the PCB.
- Which type of packaging for the S-ALTRO.
- Find a connector for the PWR and signals.
- Find a good cooling system.