



CFS Global Meeting 29 July 2009

CONVENTIONAL FACILITIES AND SITING GROUP :

- Safety documents***
- 3d modeling***



- **LHC chapter of the CLIC/ILC safety repository document under approval**
 - **Can be found on Indico CES site :**
 - **<http://indico.cern.ch/conferenceDisplay.py?confId=44870>**
 - **Or on CERN EDMS :**
 - **CERN EDMS 995165 v.1**
https://edms.cern.ch/cedar/plsql/doc.info?cookie=8286997&document_id=995165&version=1
 - **FNAL : M&W Zander working on translation of XFEL safety document**
 - **FNAL : Hughes Engineering – Alternative tunnel solutions study underway, including safety assessments**
 - **KEK fire safety studies complete**
-



Global Design Effort - CFS

#13 - CLIC-CES Wkg (13 May 2009) - Windows Internet Explorer provided by CERN

http://indico.cern.ch/conferenceDisplay.py?confId=44870

Google

Search

Bookmarks

Check

AutoFill

Sign In

#13 - CLIC-CES Wkg (13 May 2009)

category | view: Indico style | manage

LOCAL: Europe/Zurich

login

#13 - CLIC-CES Wkg

Wednesday 13 May 2009
from 14:30 to 16:00
Europe/Zurich
at CERN (112-4-C17)
chaired by: *John Andrew Osborne (CERN)*

Material: Minutes

[Wednesday 13 May 2009](#)

Wednesday 13 May 2009 [top](#)

14:30	Approval of Minutes from previous meeting (10)	Slides	
14:40	First Ideas on the EL study for CLIC (20)	Slides	Cezary Jach (CERN)
15:00	CLIC Tunnel Cross Section (20)		John Andrew Osborne (CERN)
15:20	ILC-CLIC Safety Documents (10)	Paper; Slides	Fabio Corsanego (CERN)

CERN | Powered by CERN Indico 0.96.2.20090624 | pcuds71 | http://indico.cern.ch/event/44870 | Last modified 03 June 2009 09:25 | HELP

Deadline for comments on LHC Chapter next CES webex on 9 September 2009



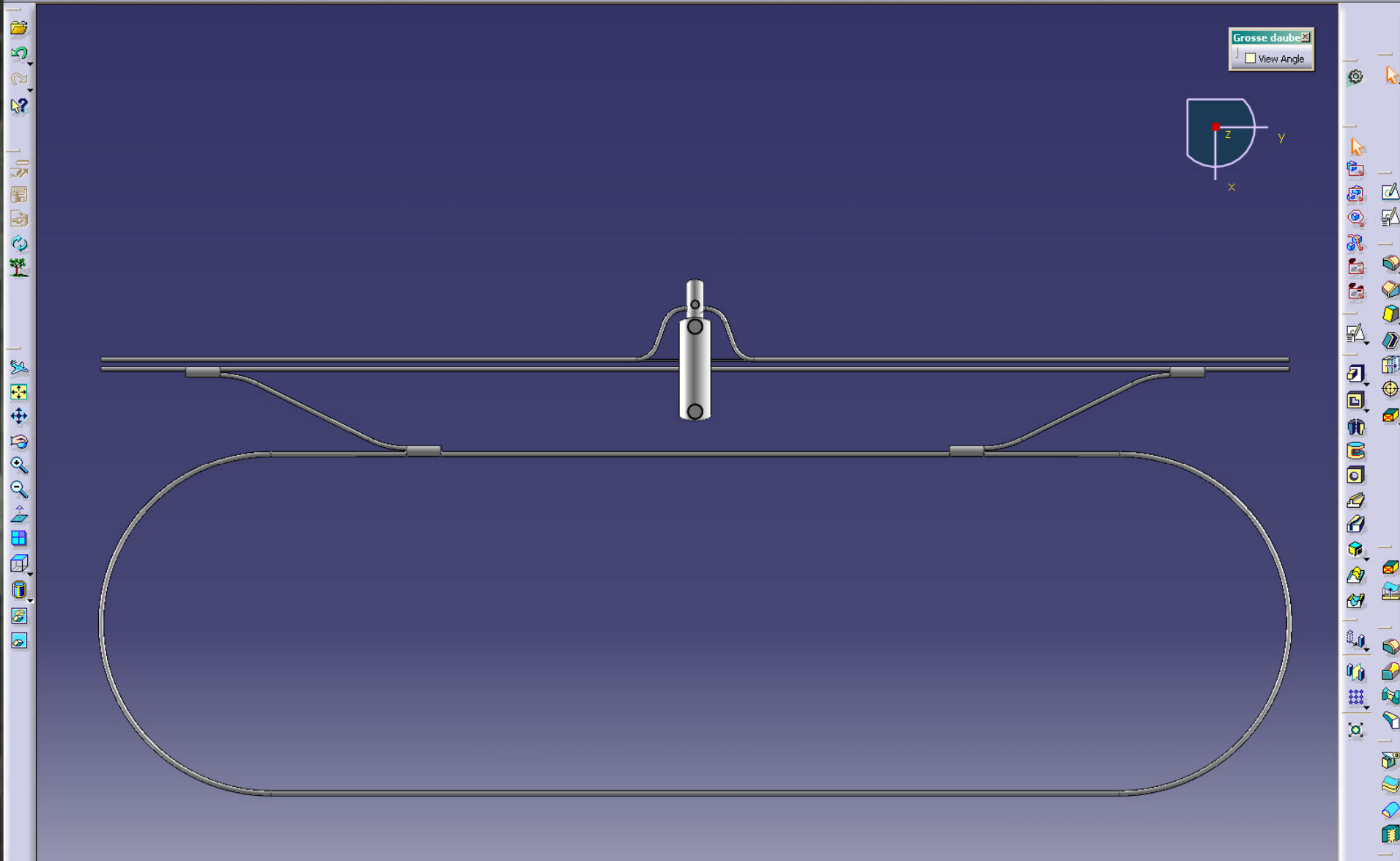
- **All chapters eg LHC, XFEL, CLIC, Americas, ASIA are to be collected in this single document**
 - **The goal is to have all safety reports compiled by Albuquerque**
 - **Executive summary to follow....**
-

3d modeling

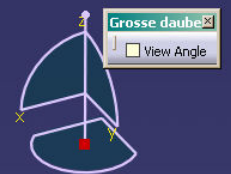
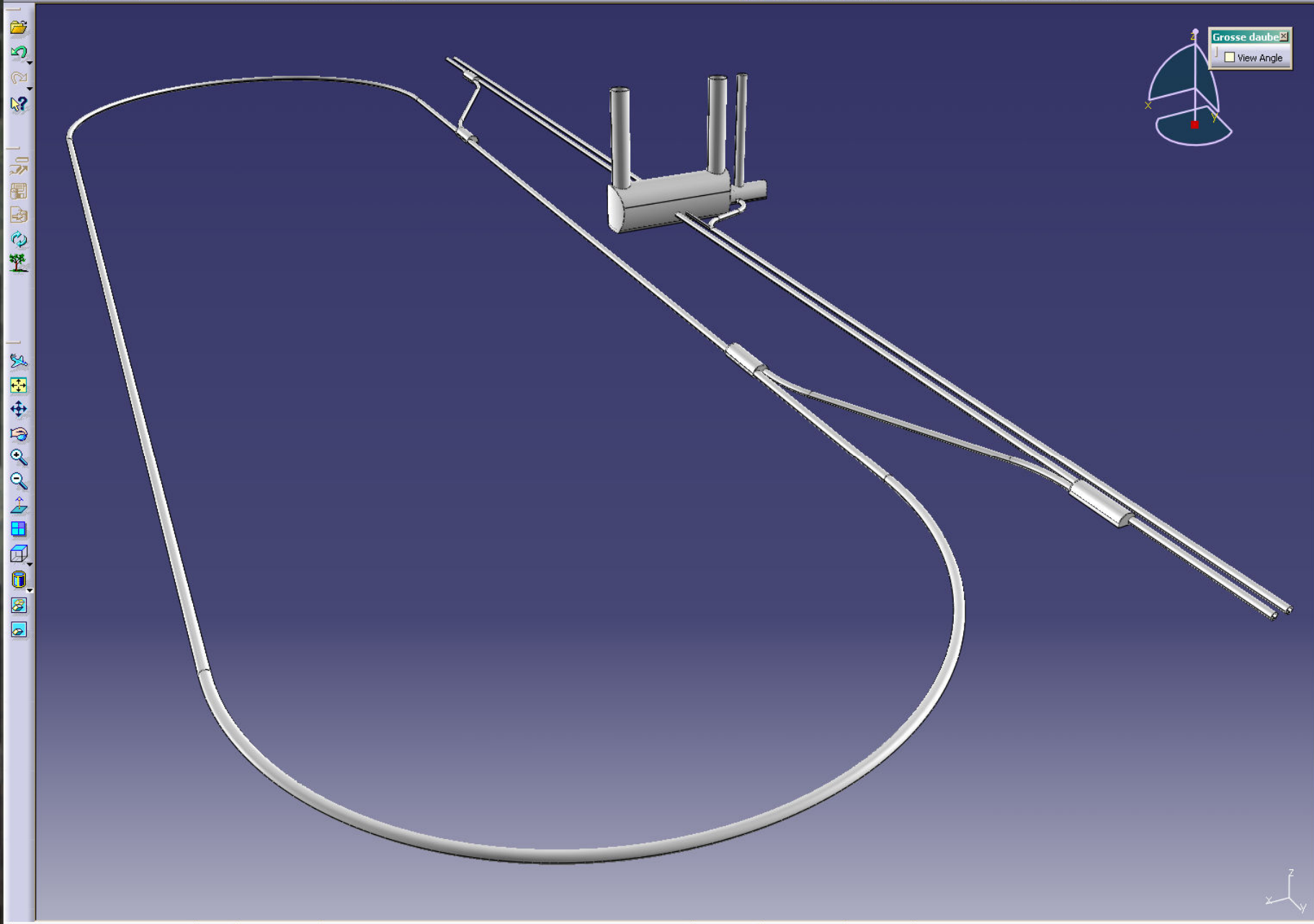
- *Since DESY AD&I meeting at the end of May, several meetings have taken place to better define the tunnel layouts for SB2009. (Weekly CFS with area systems, Central area meeting in SLAC 20/21 July...)*
- *Until layouts are better understood, 3d-modeling is 'on-hold'.*
- *CERN & FNAL (M&W Zander) are on standby to produce further models. KEK are investigating possibility of using an external consultant to help with 3d models.*

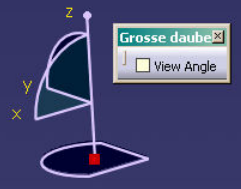
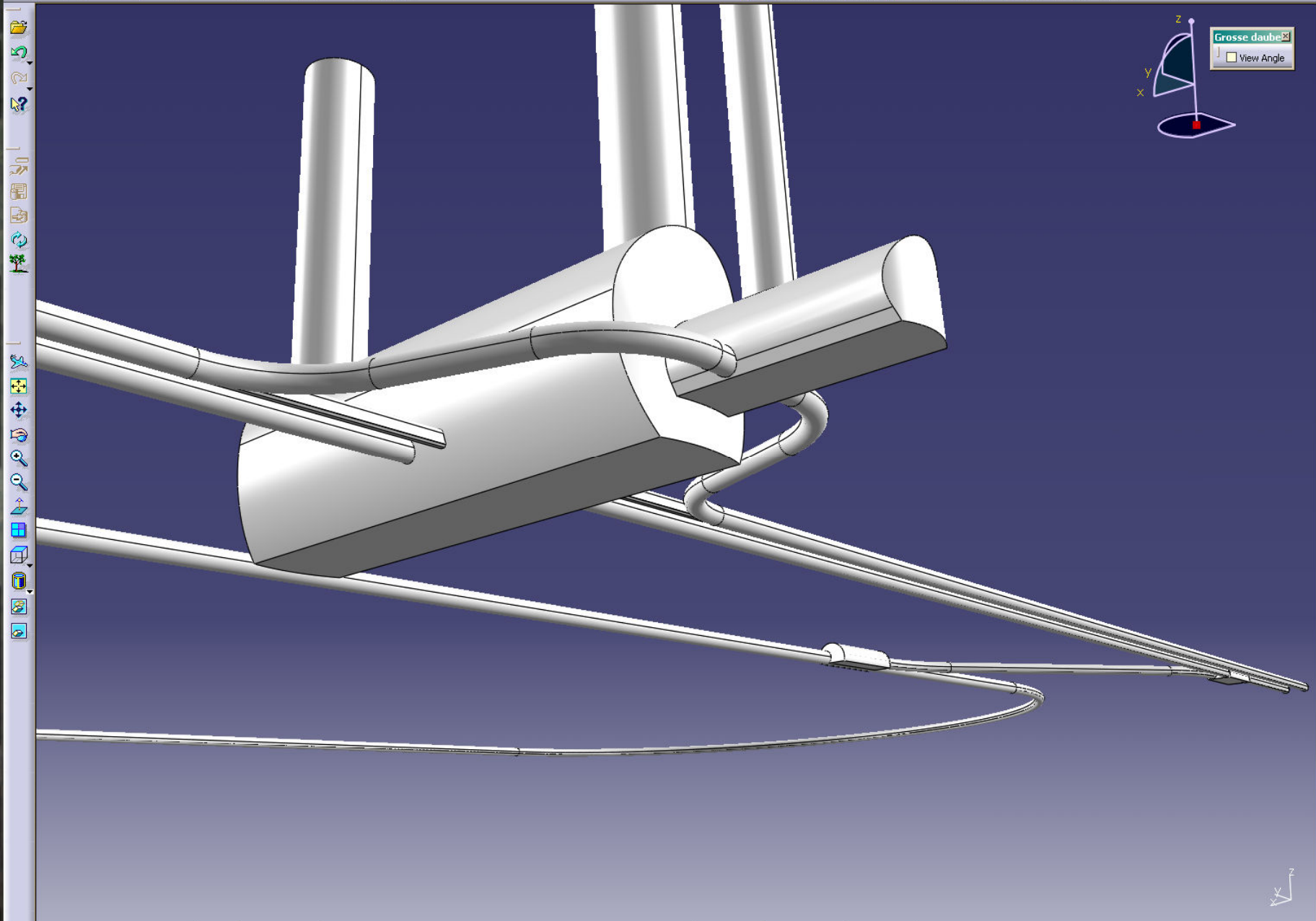
**CERN have produced a few very preliminary
3d models further to the DESY meeting
(without lattices !)**

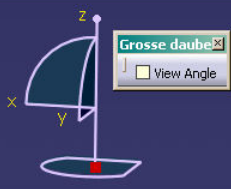
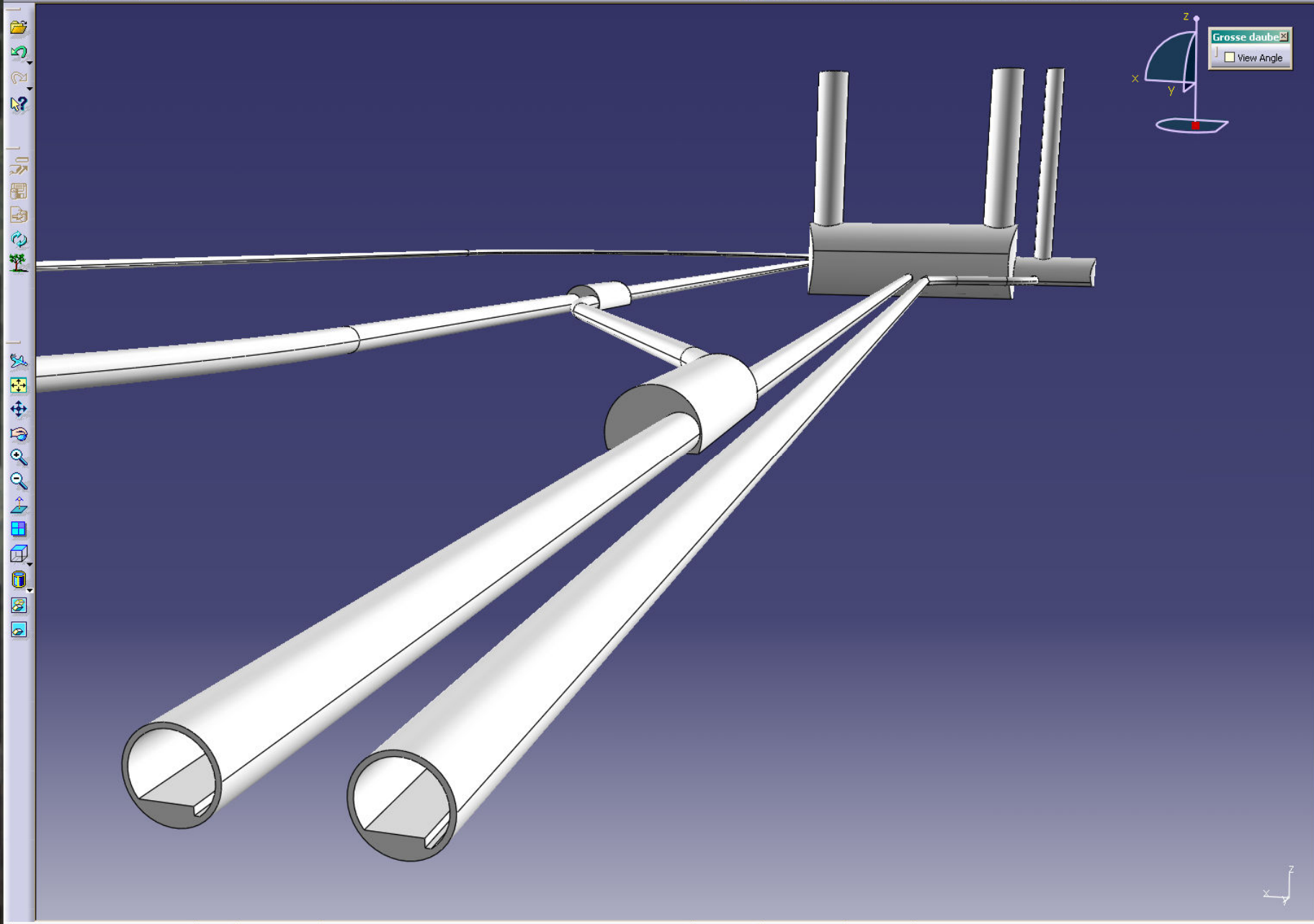
- ***See following slides***

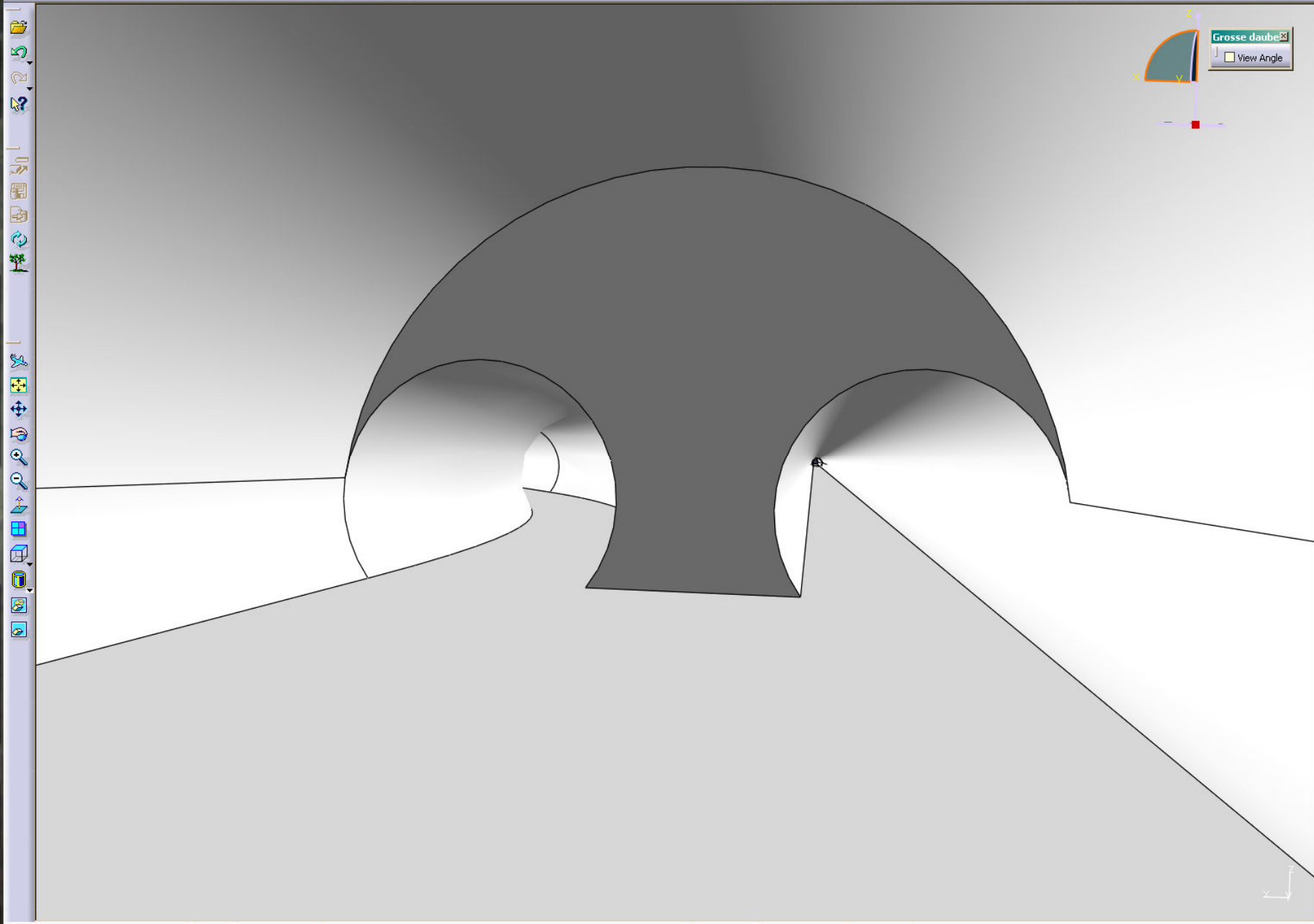


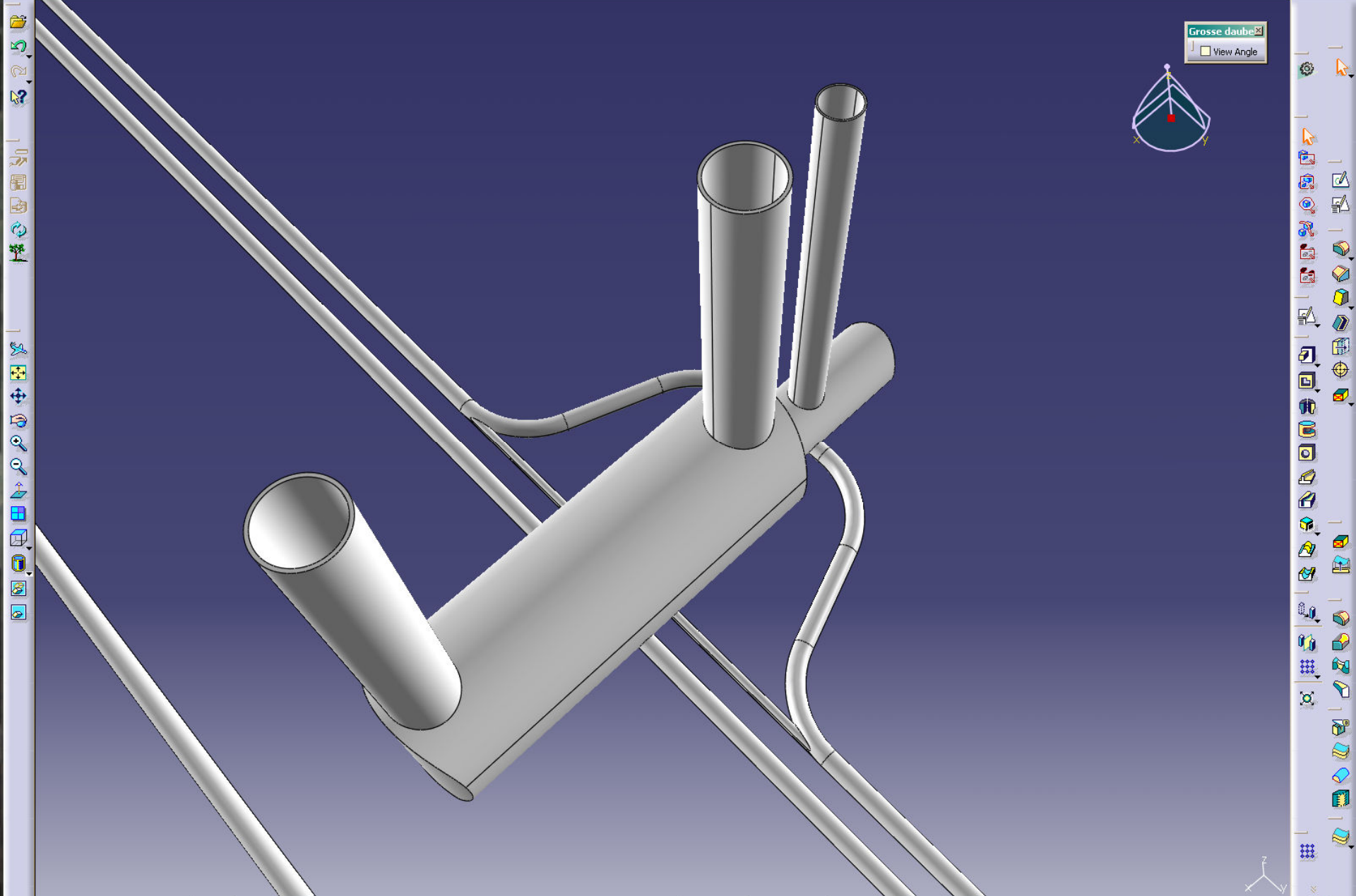
3.2km Damping Ring



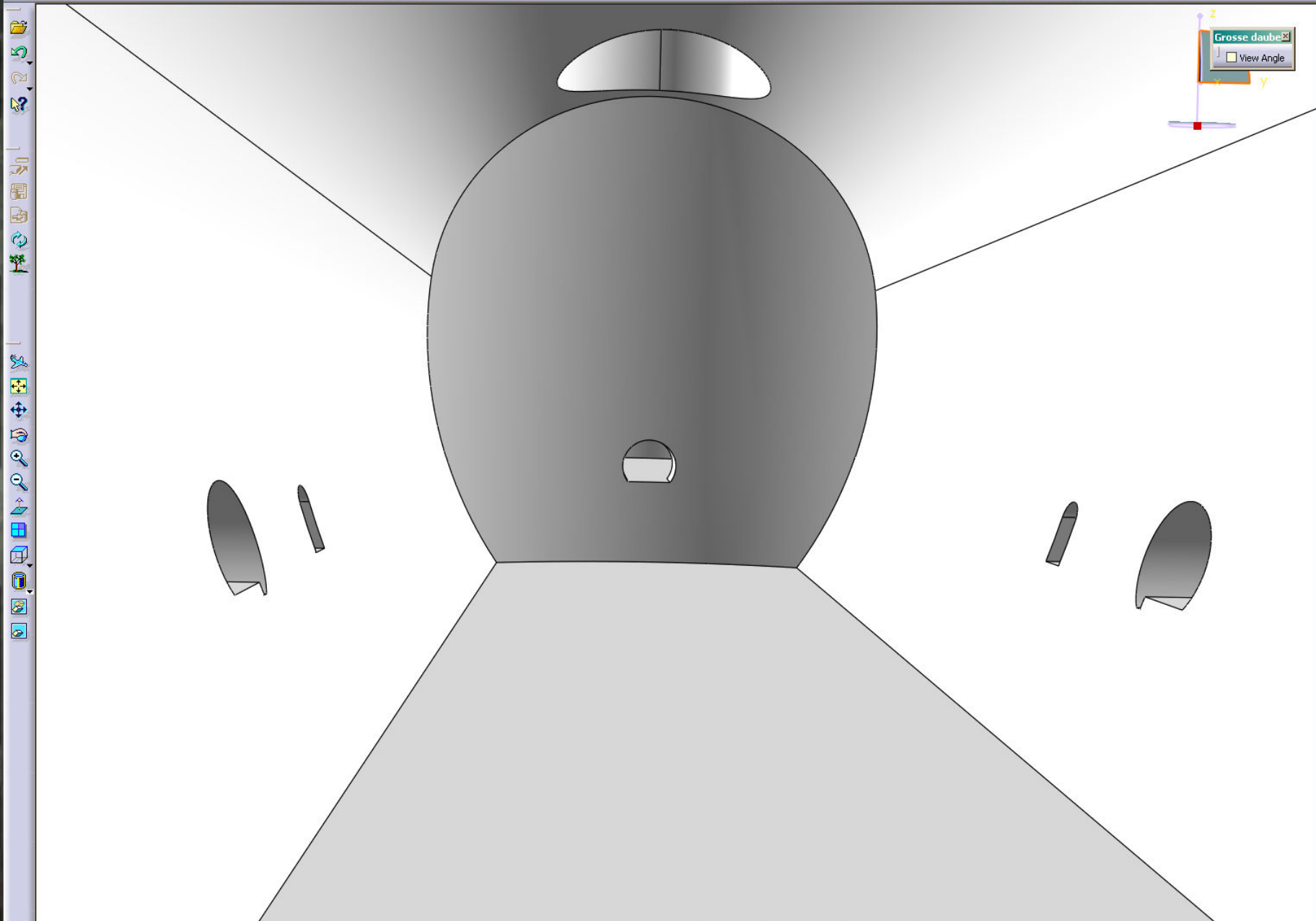




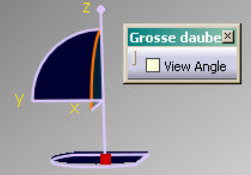
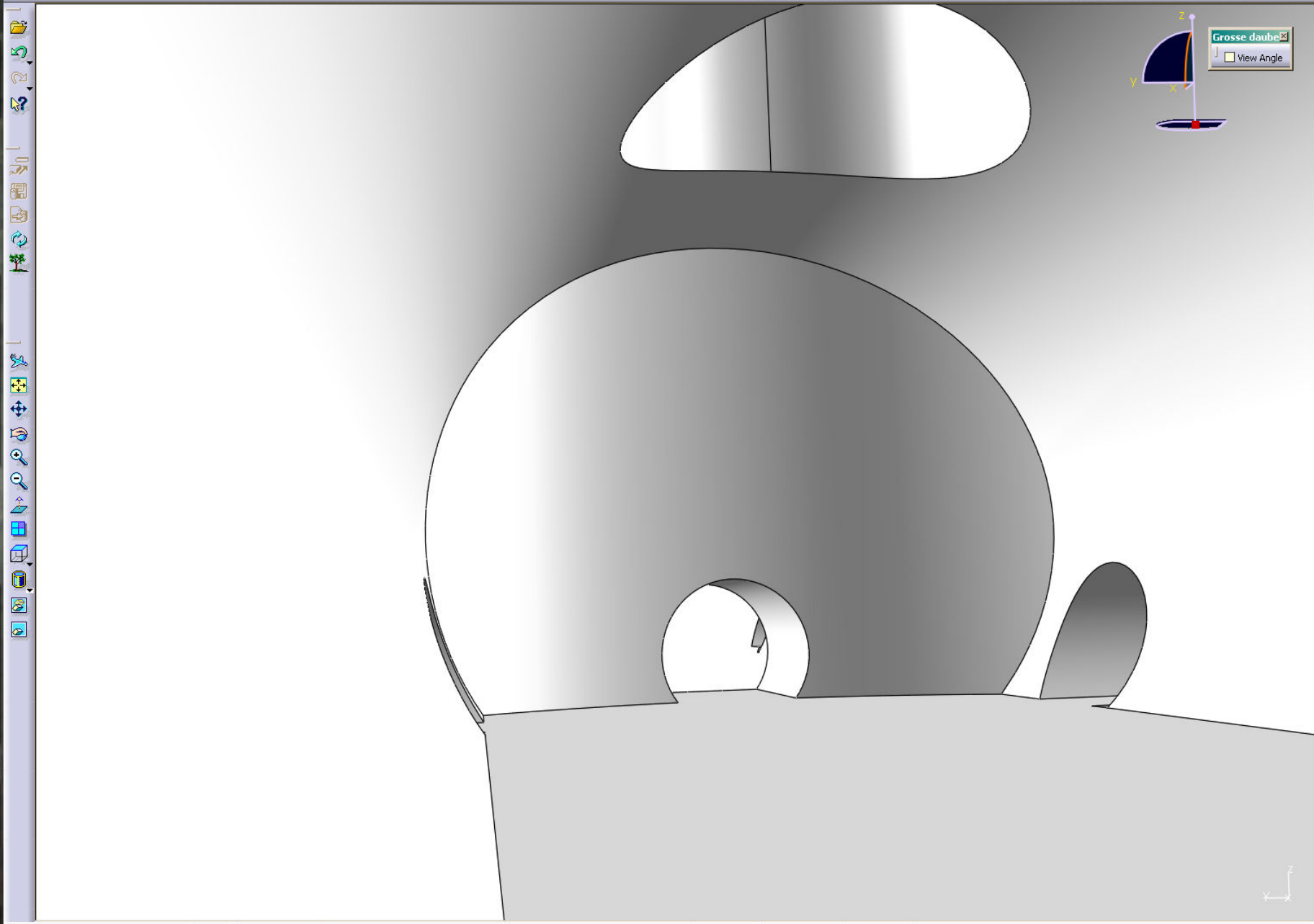


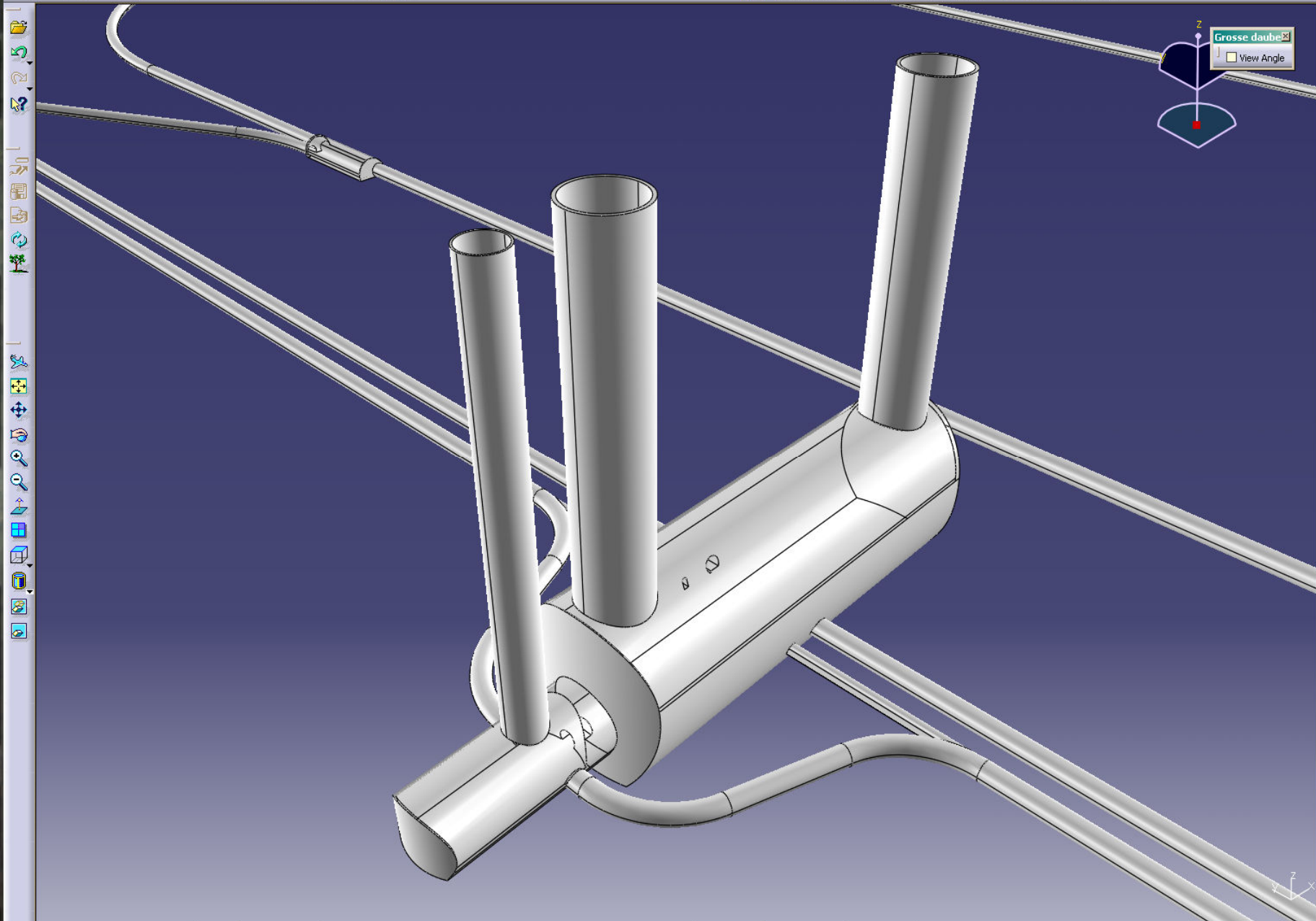


Grosse daube
 View Angle



Grosse daube
View Angle





Grosse daube
 View Angle