



Detector Hall Discussion

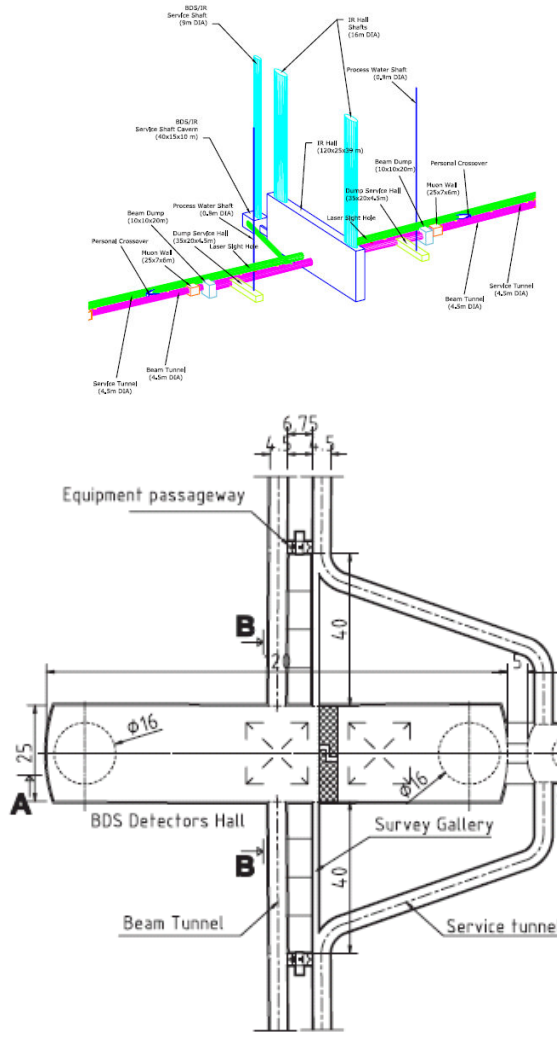
*Atsushi Enomoto
(KEK)*



RDR

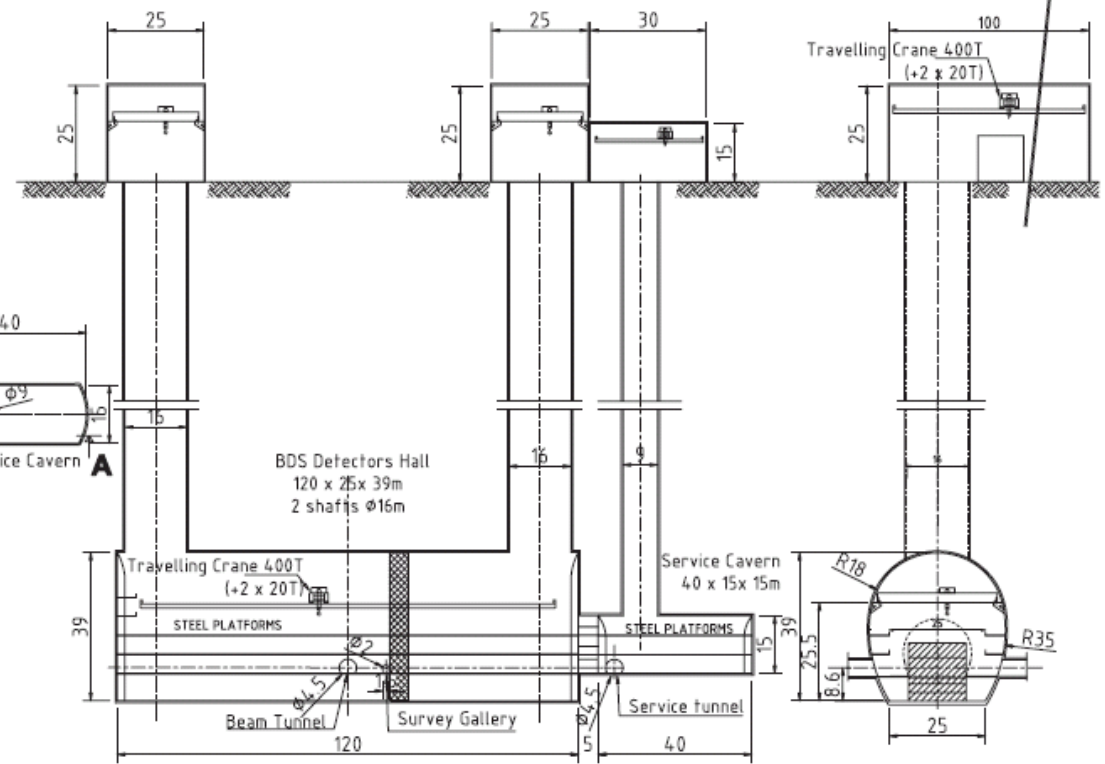


RDR Detector Hall Design

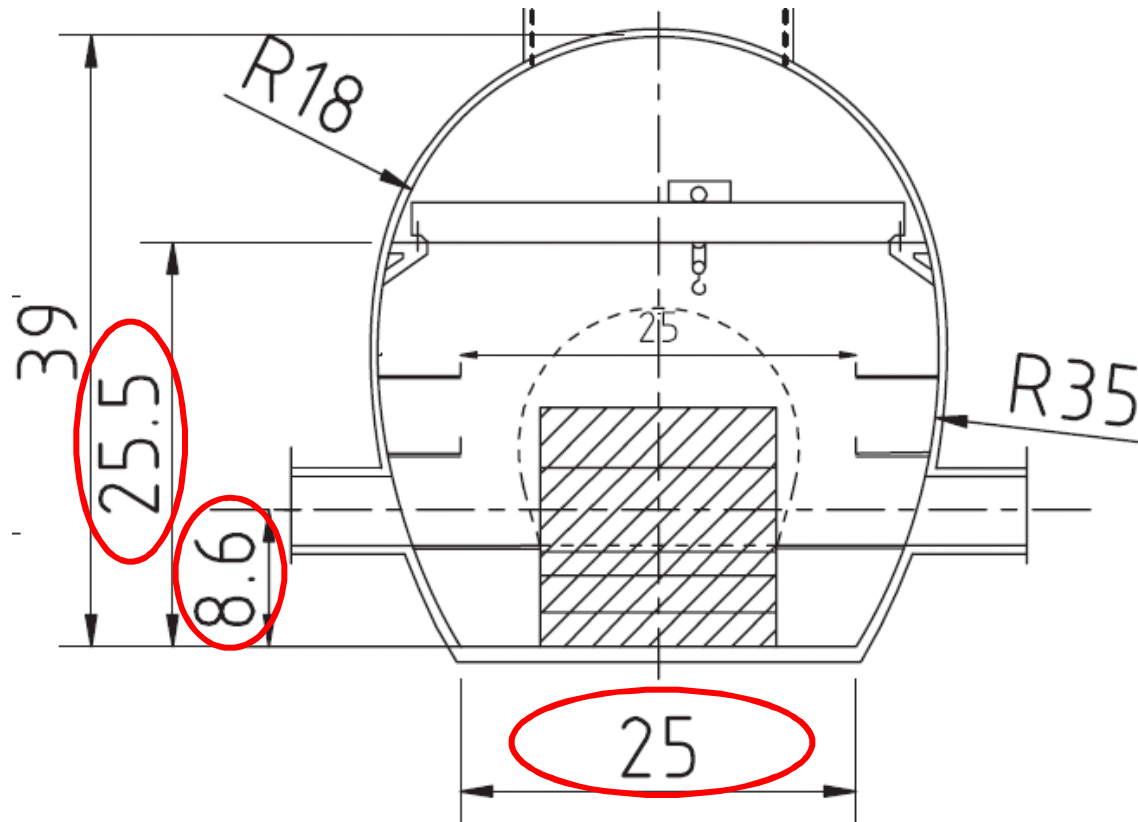


Section A-A

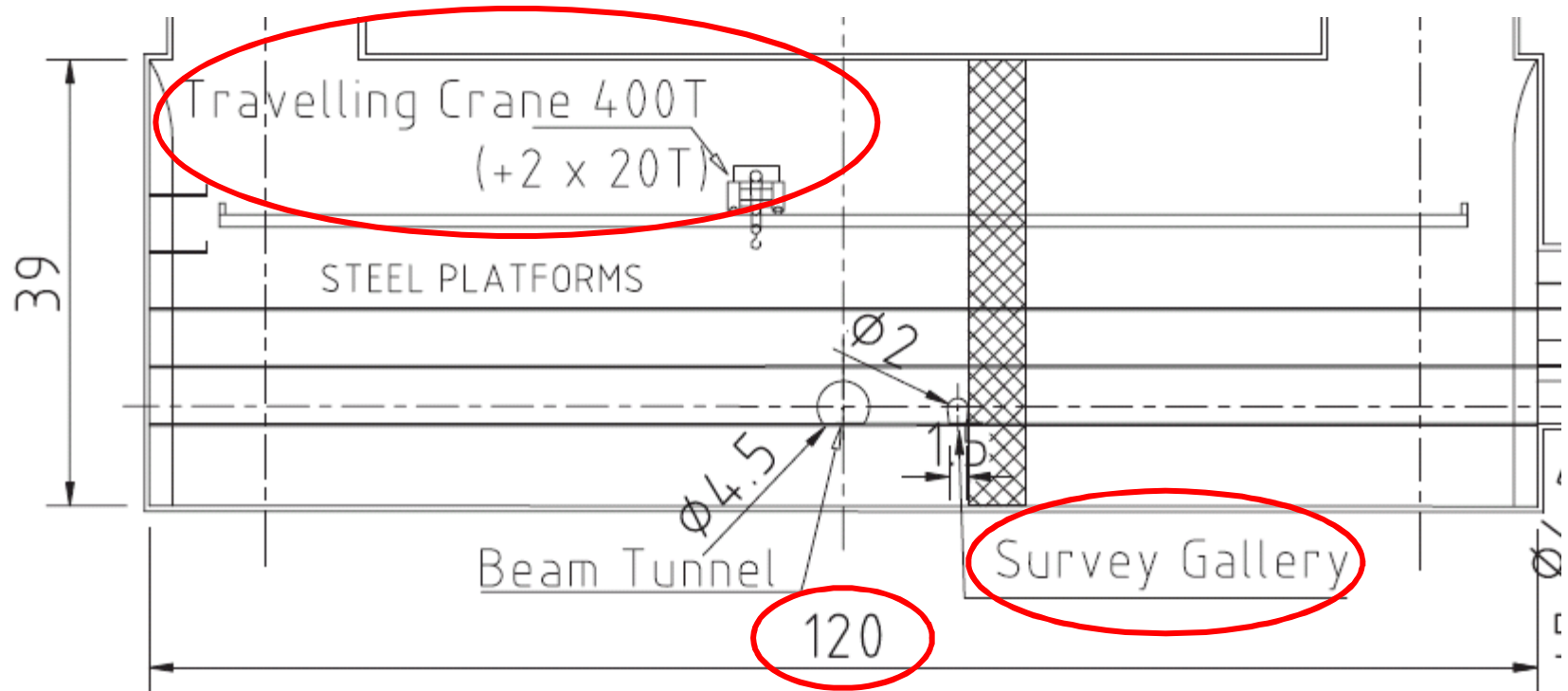
Section B-B



RDR Detector Hall (section)



RDR Detector Hall (elevation)





Infrastructure

Cooling Water

Air Ventilation

Electric

Etc.



TDP2

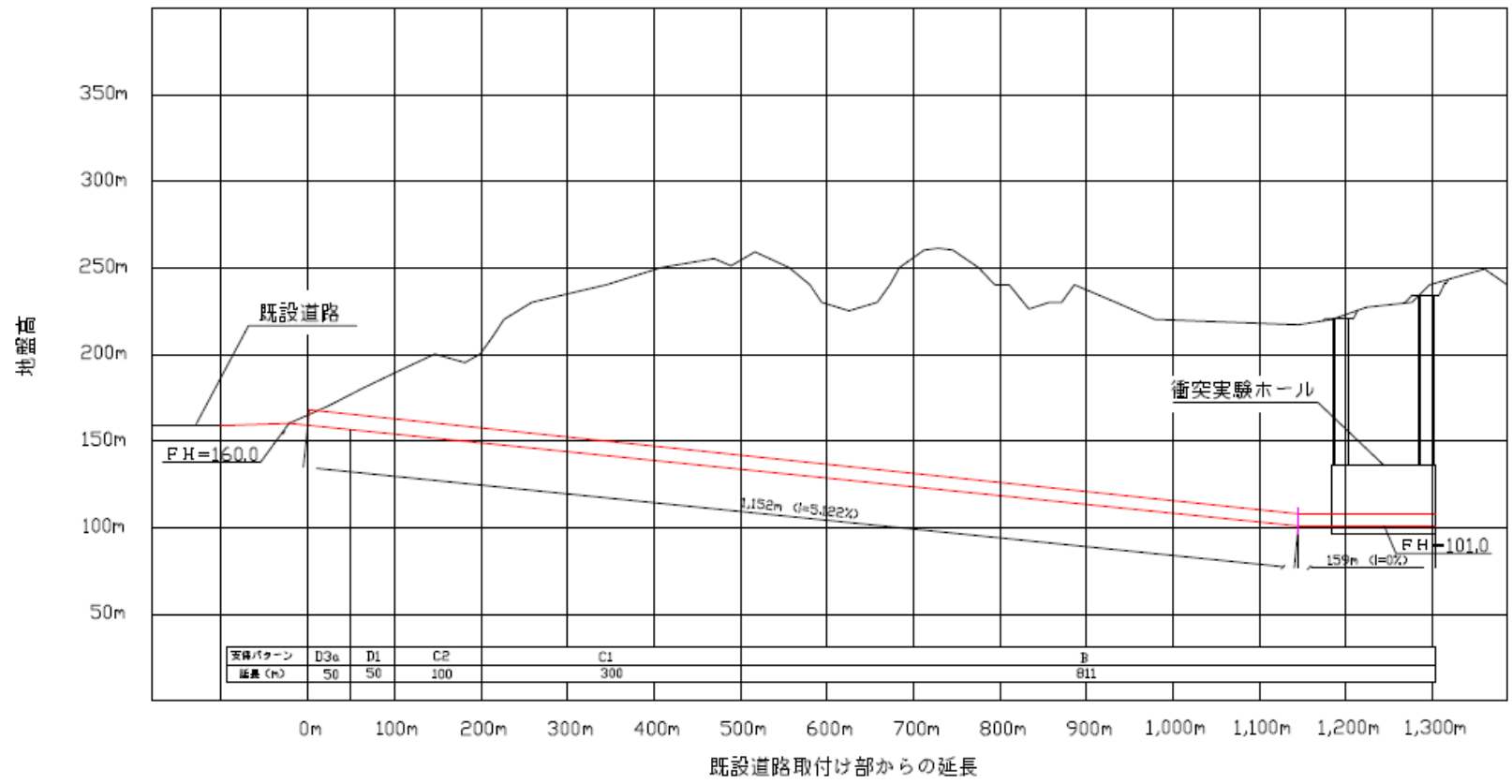


What are requirements?



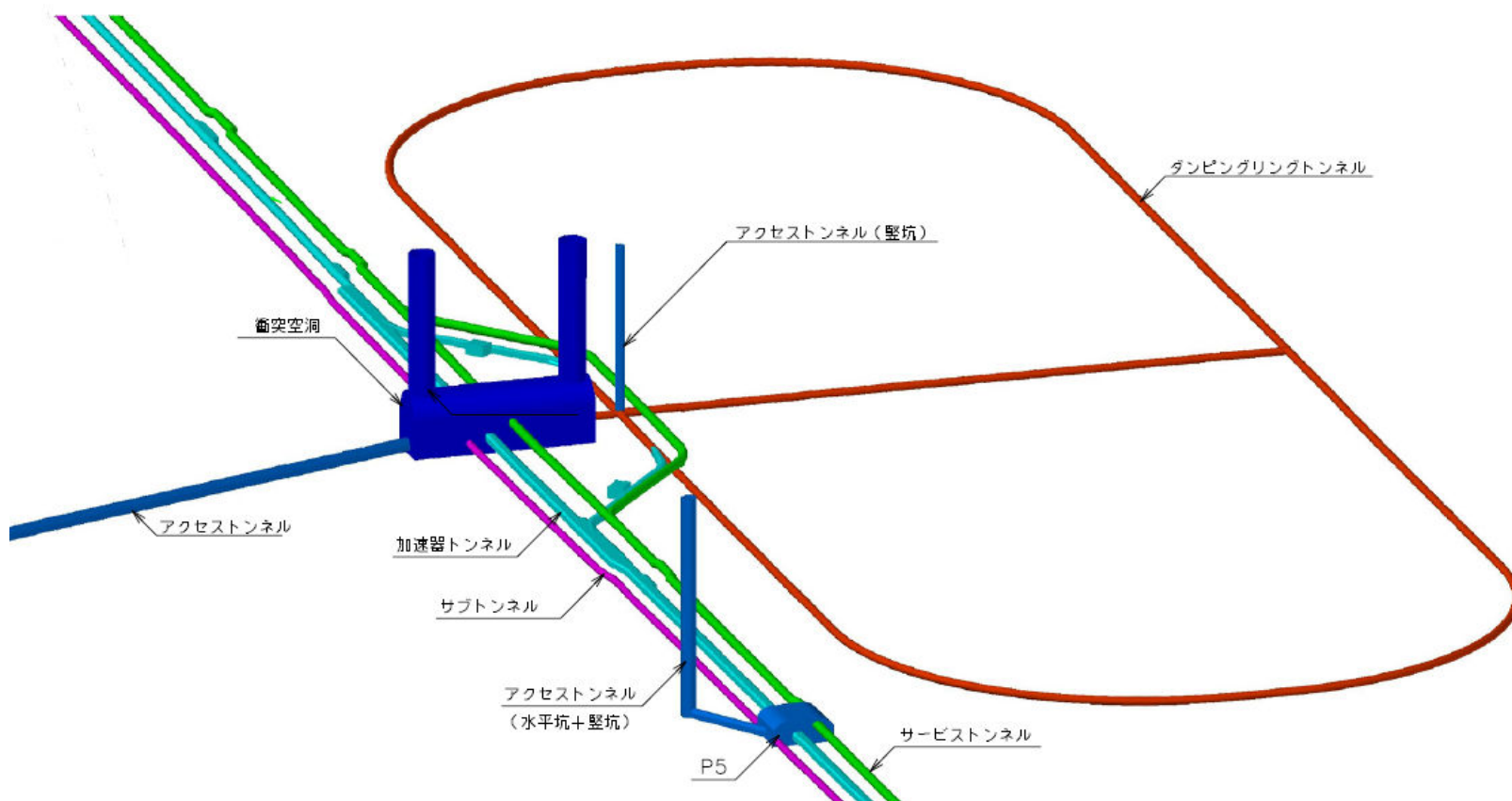
Asian Regional Issues

Asian Site DH Configuration Example



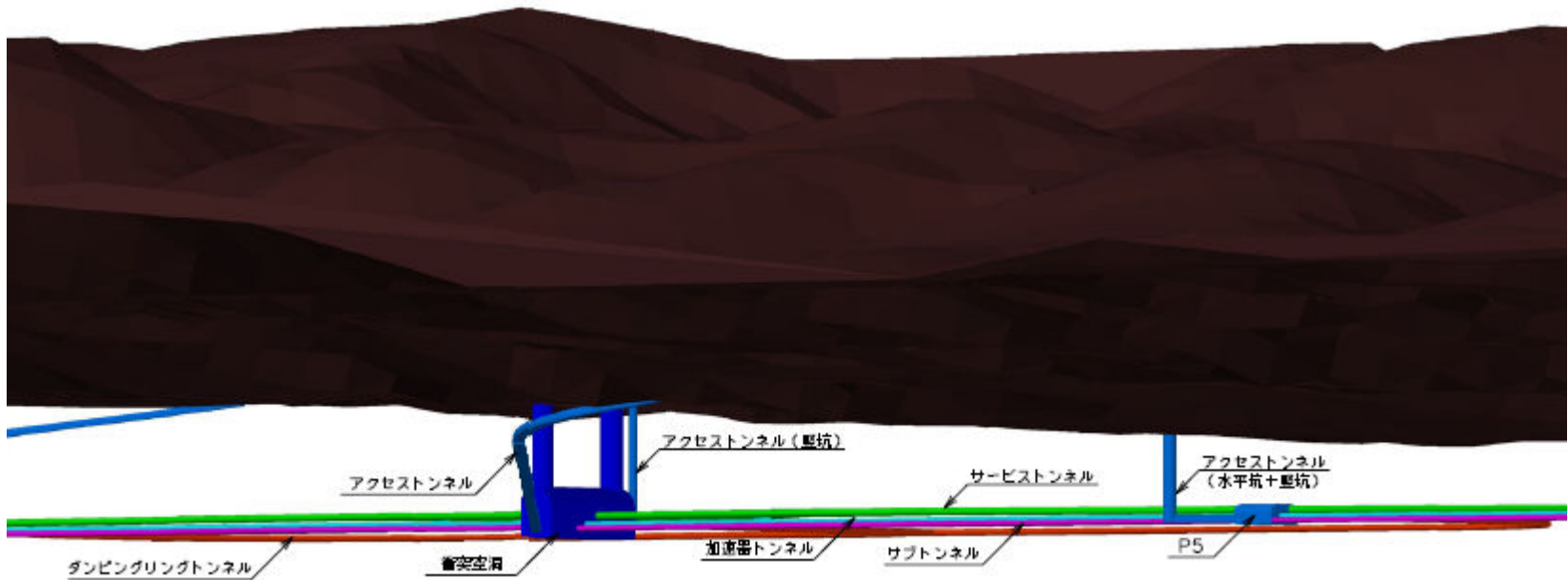
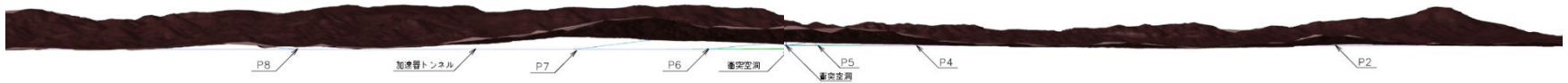
3D CAD Work (2)

Application of 2D layout to the Asian sample site.



3D CAD Work (2)

Application of 2D layout to the Asian sample site.





Summary

Summary

- (1) Re-establishment of point-contacts with MDI/BDS people is necessary
- (2) Wider consideration of detector assembly and installation will reduce construction cost, by less numbers and size of shafts, and by an efficient excavation method