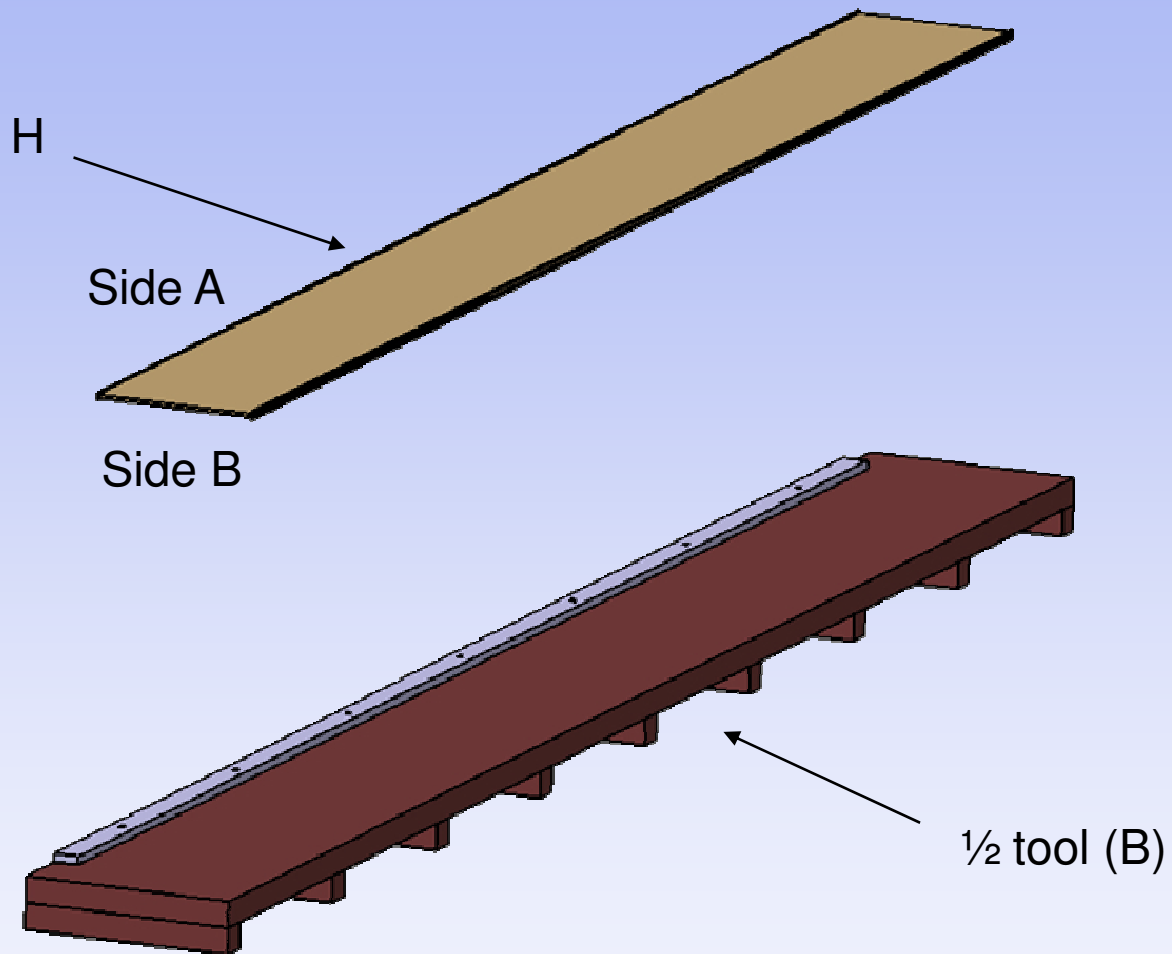
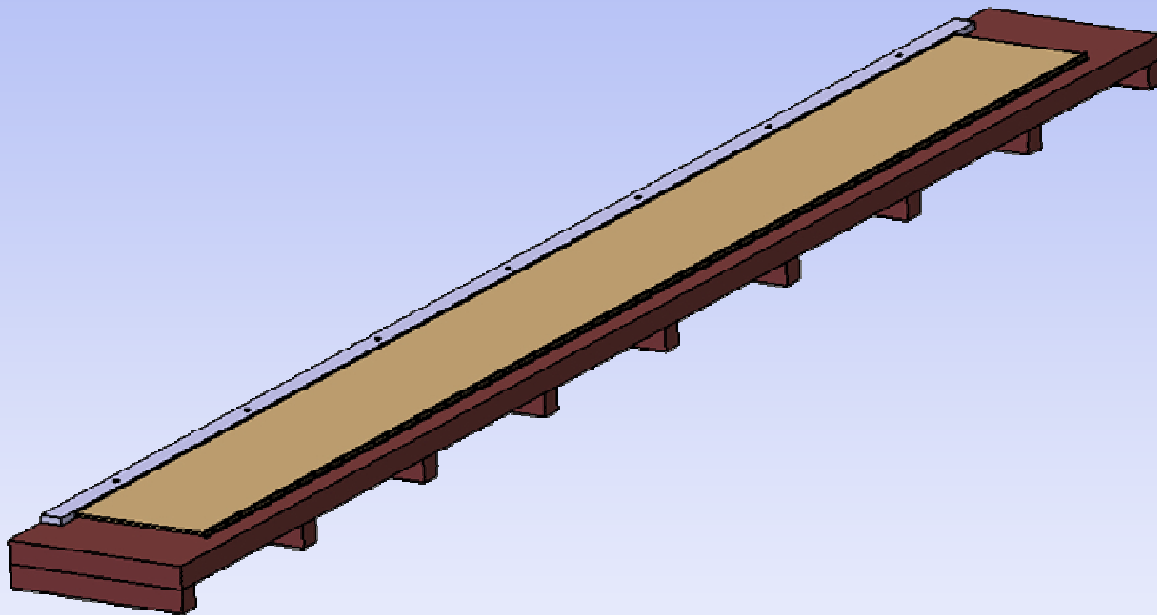


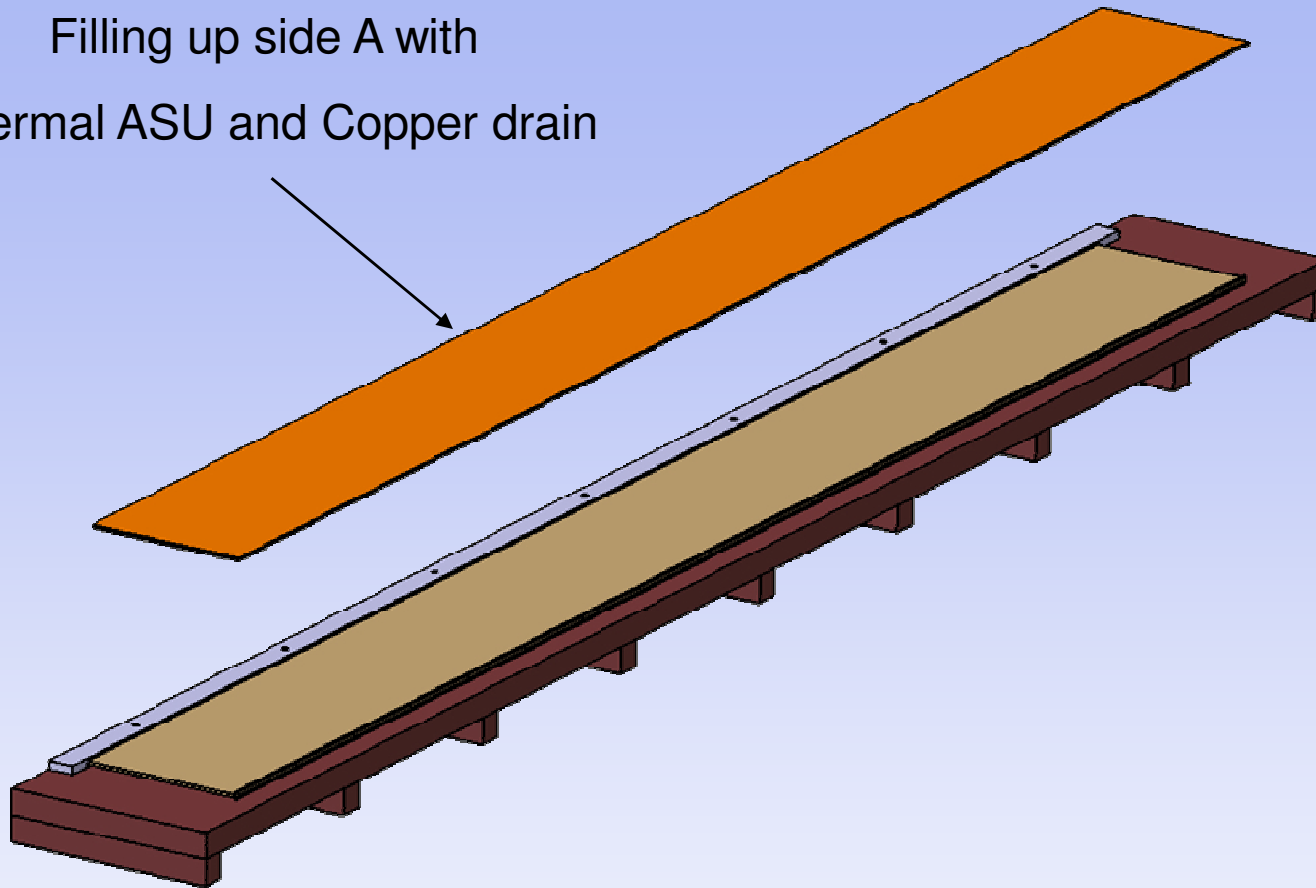
# Thermal test in module

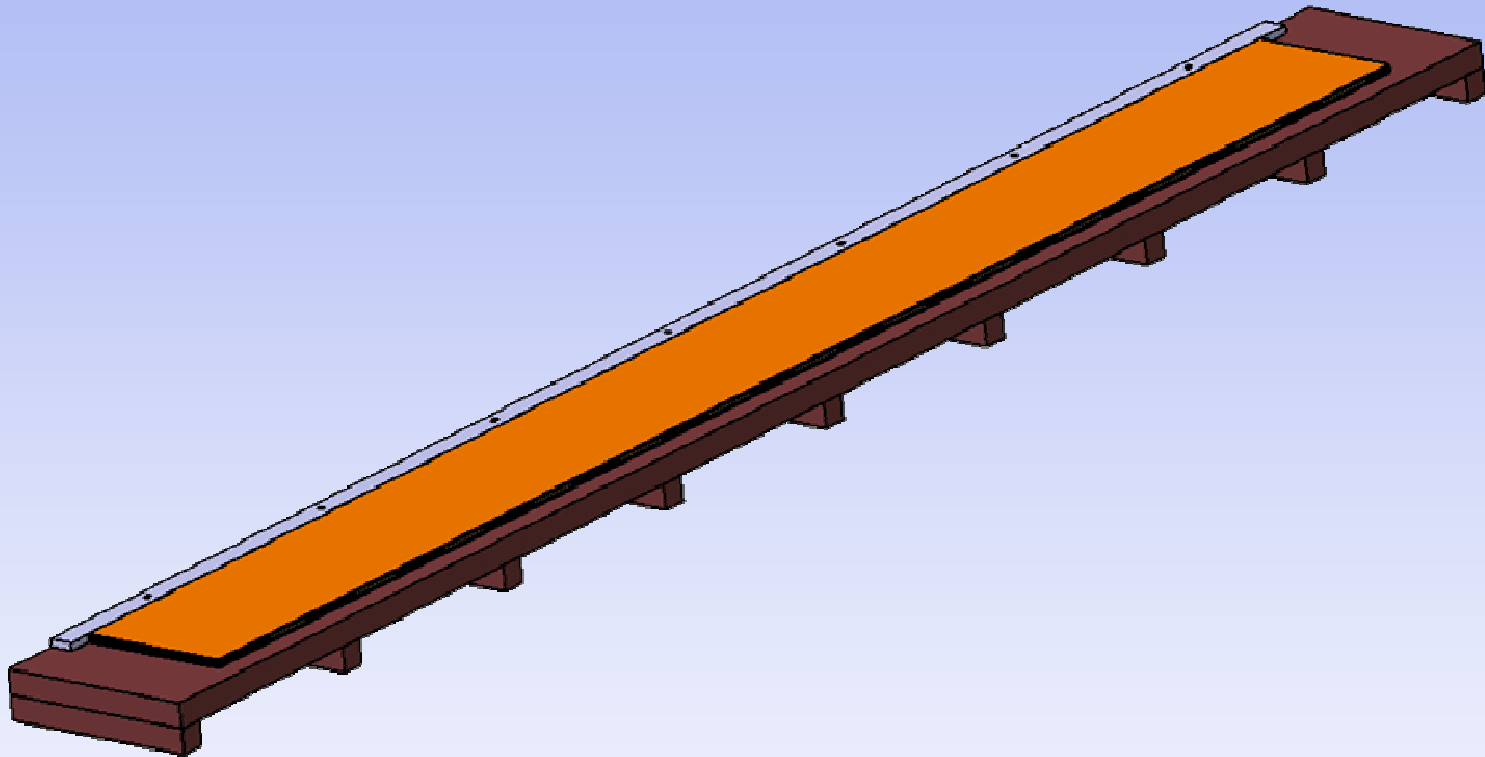
## Thermal slab assembly sequences

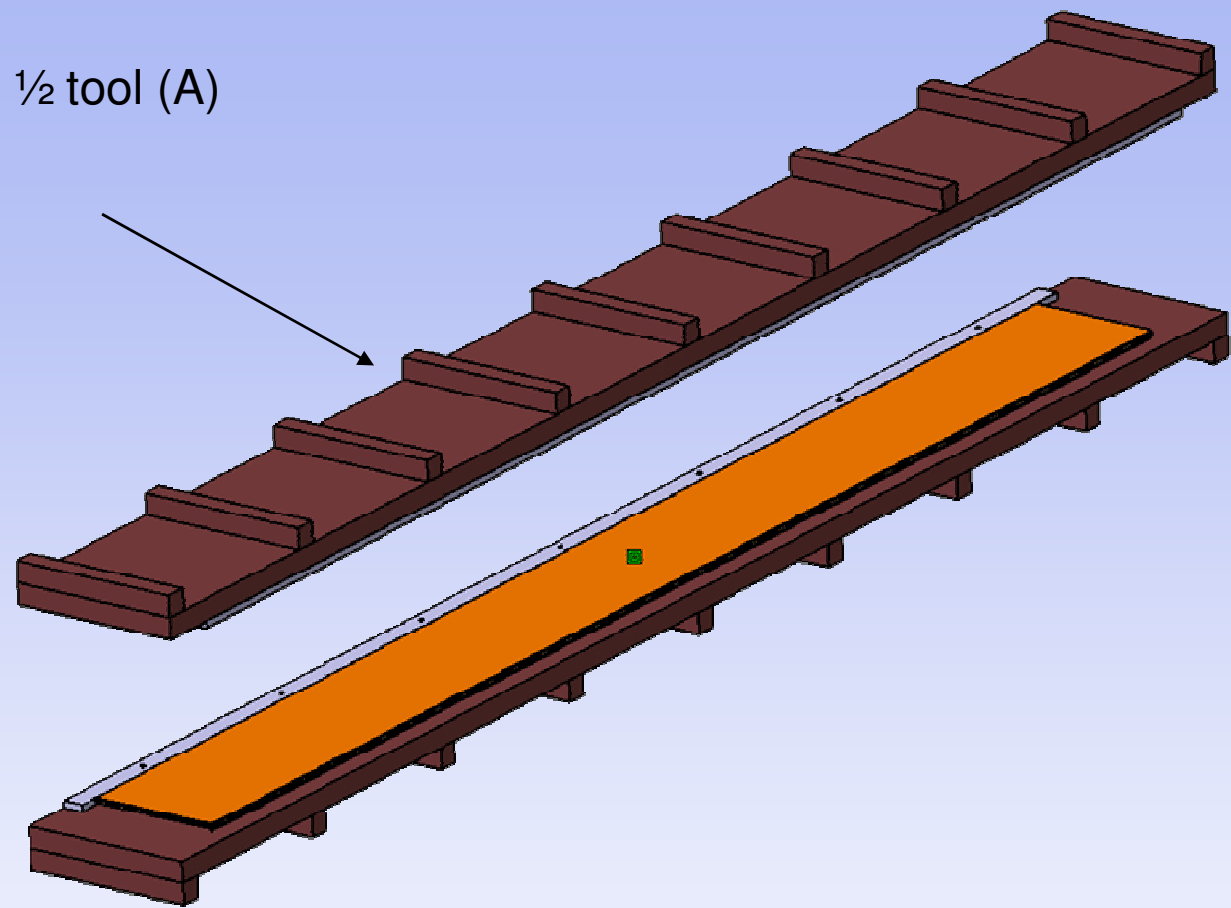




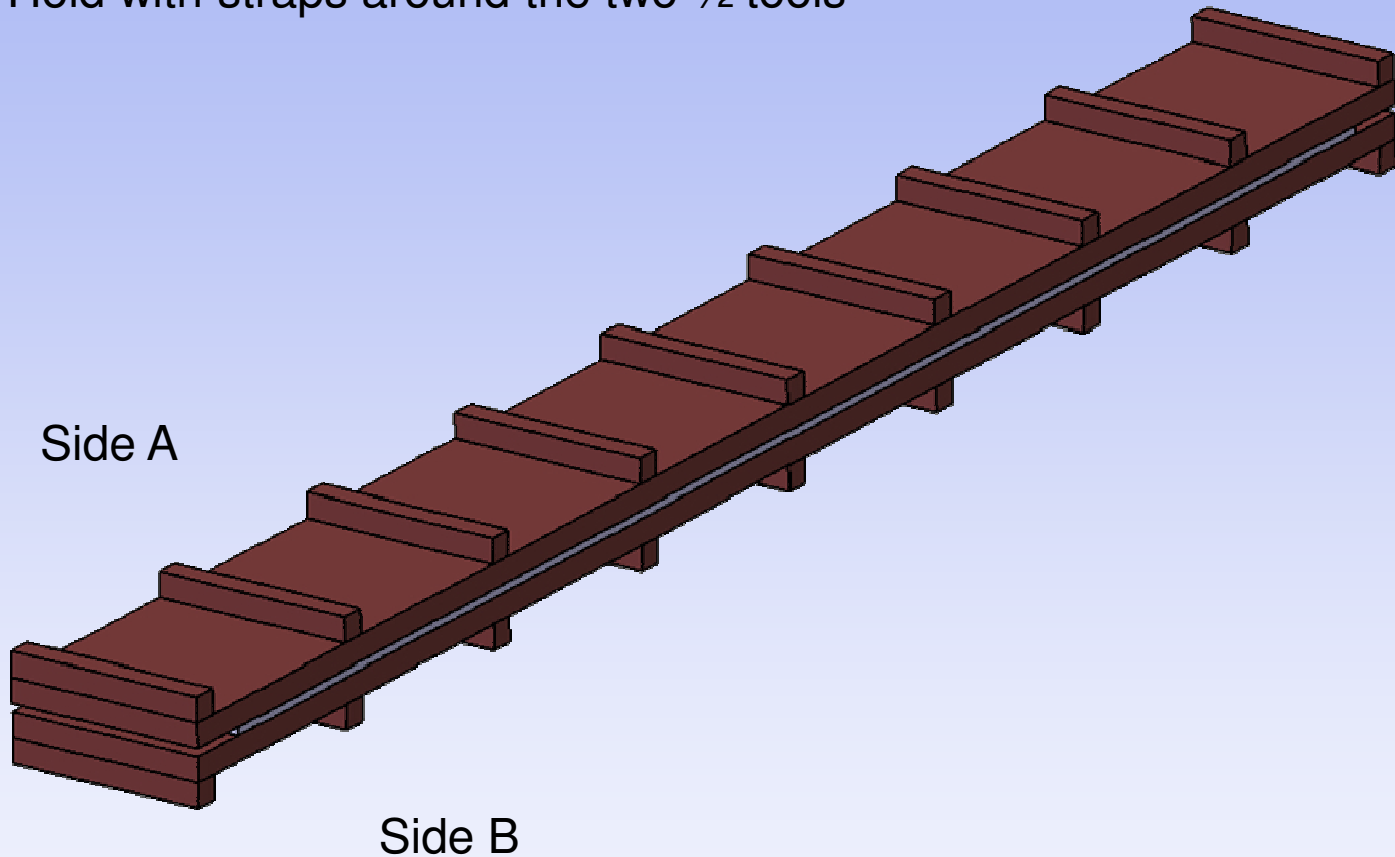
Filling up side A with  
Thermal ASU and Copper drain



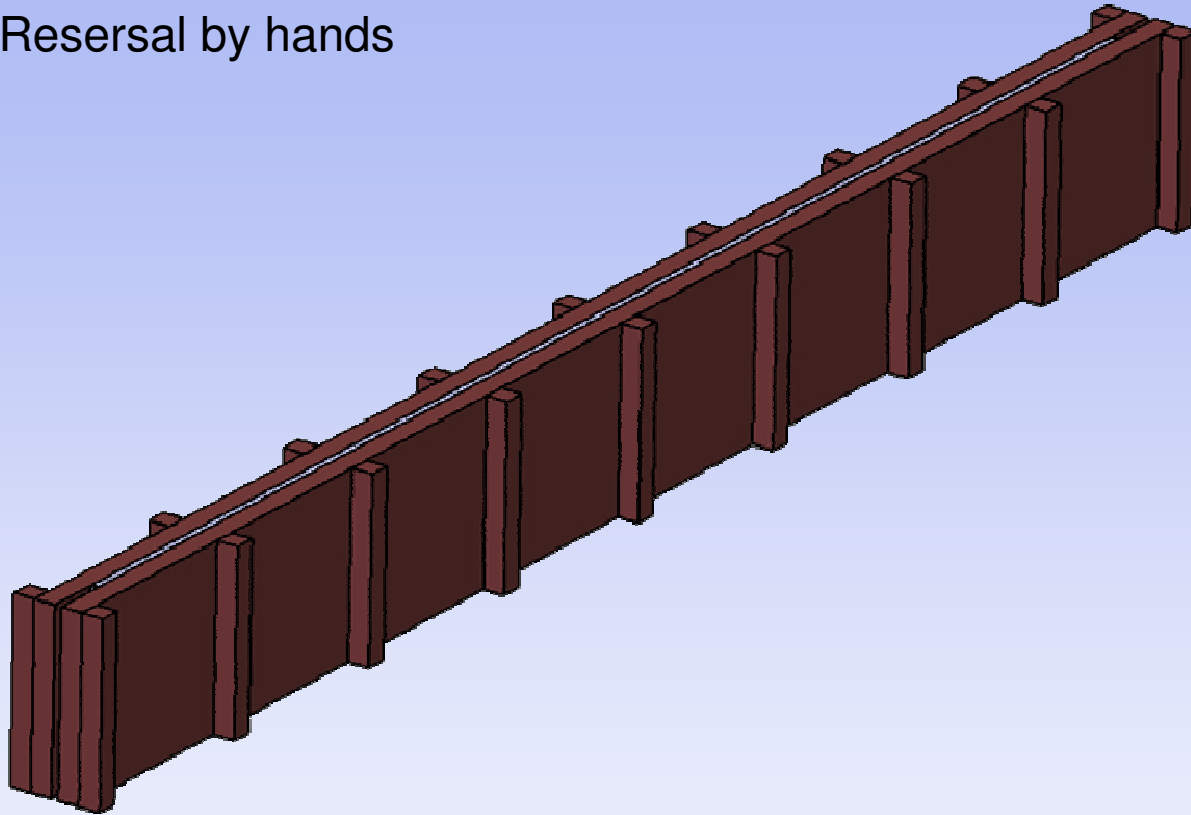




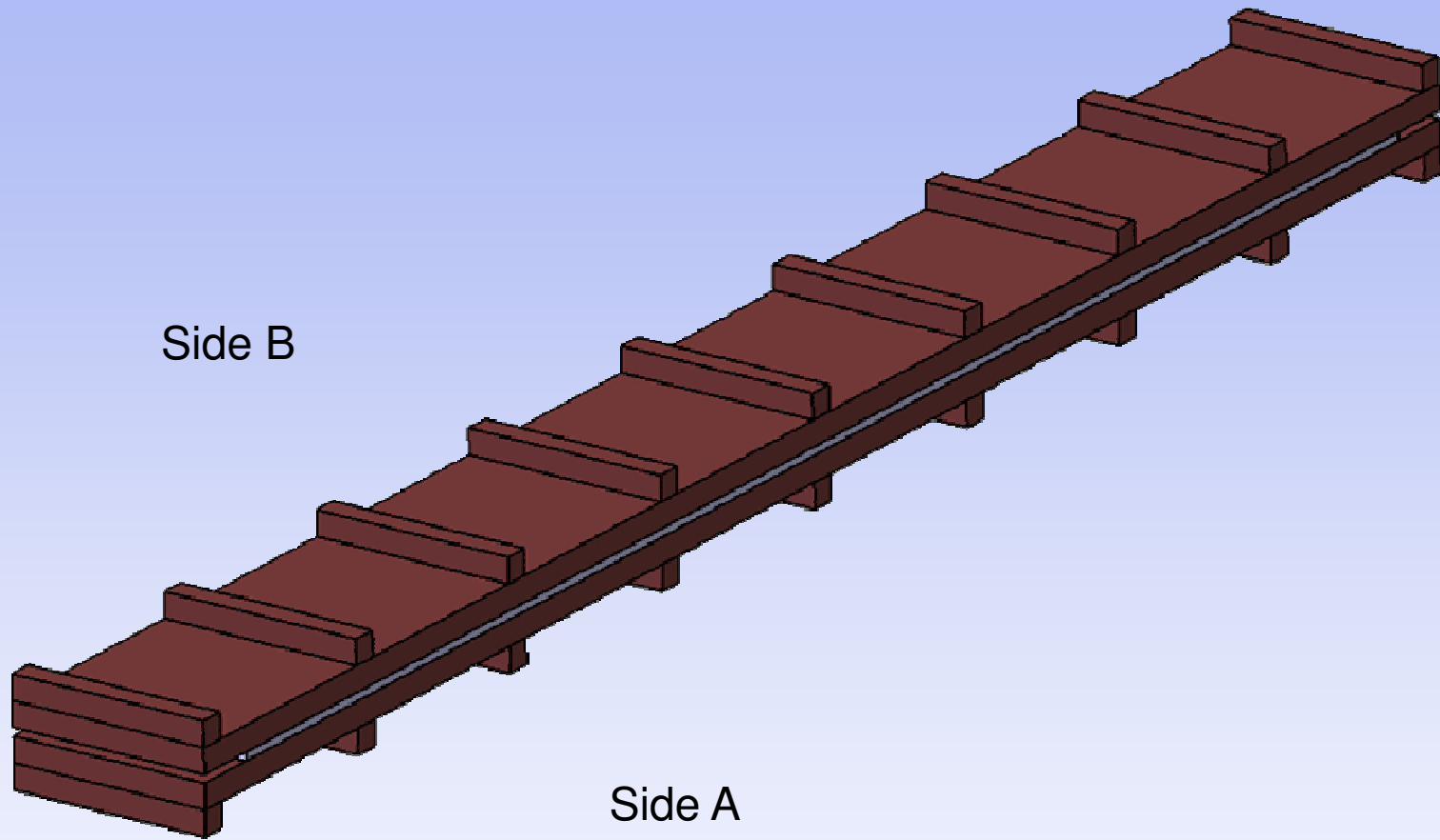
Hold with straps around the two  $\frac{1}{2}$  tools



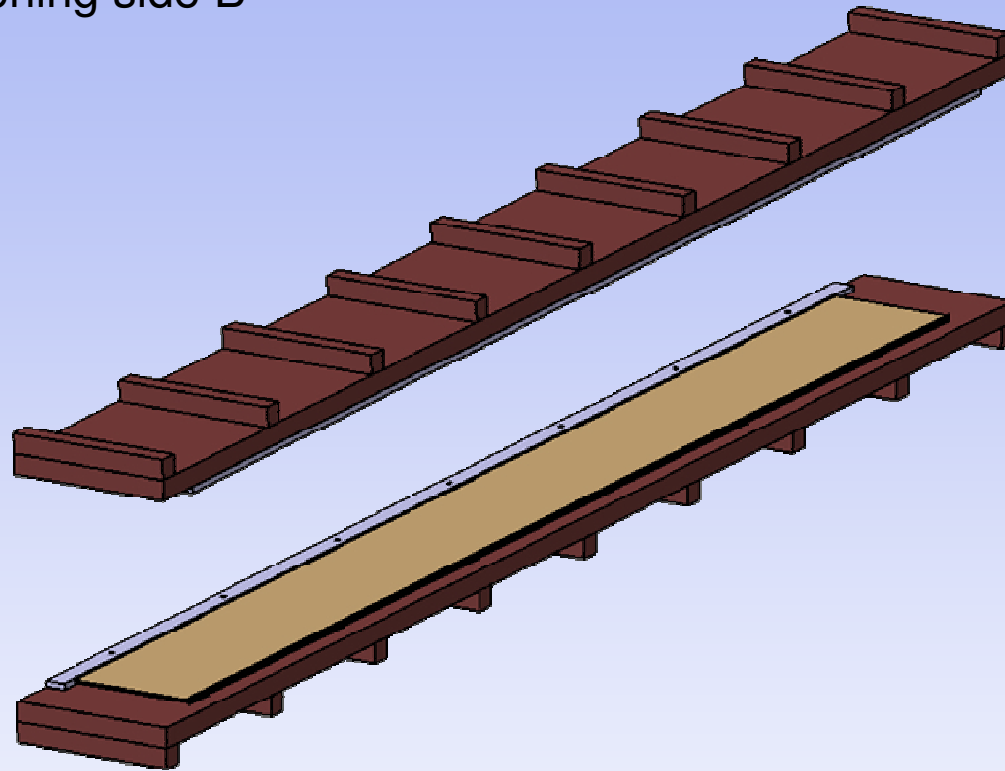
Resersal by hands



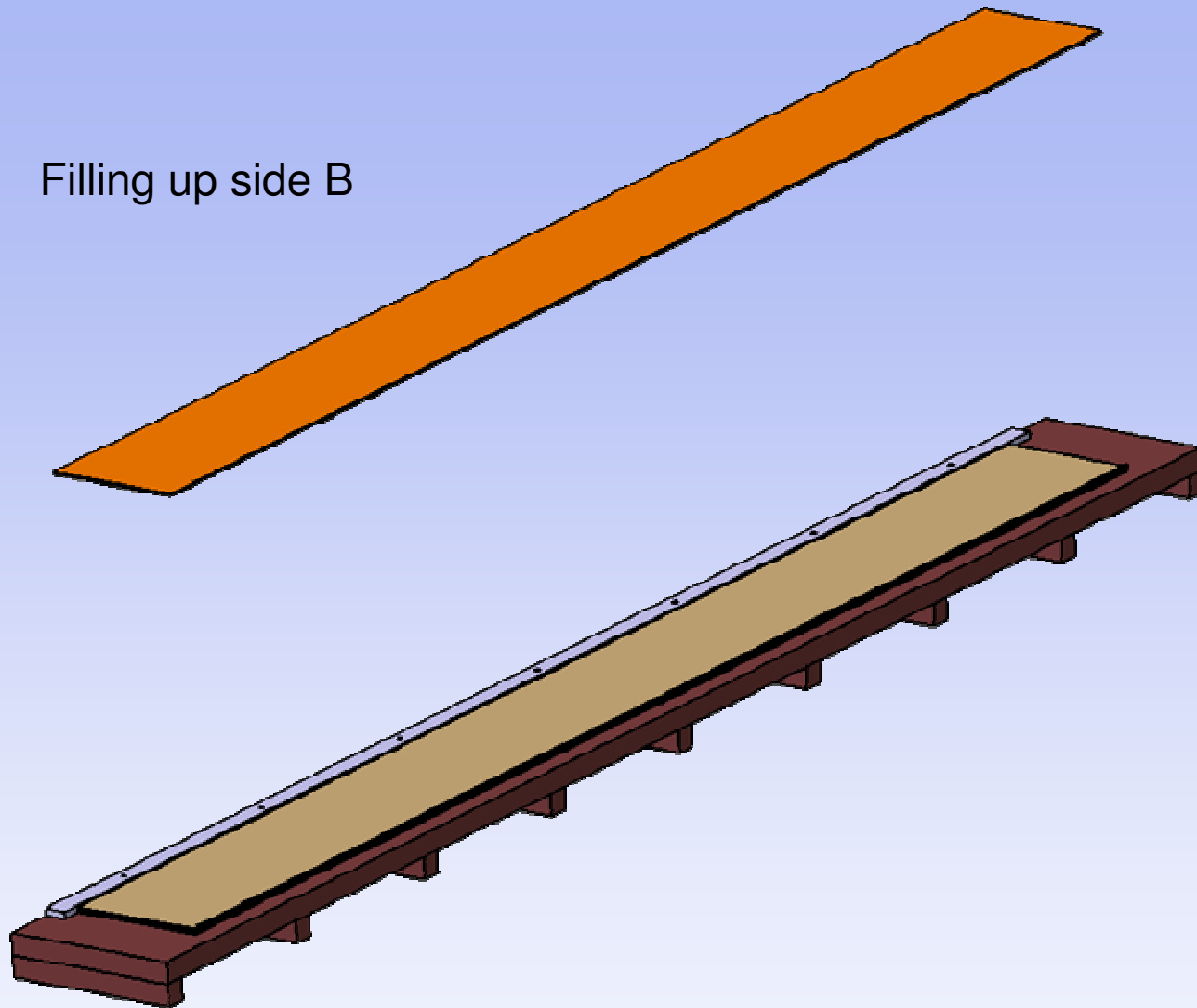


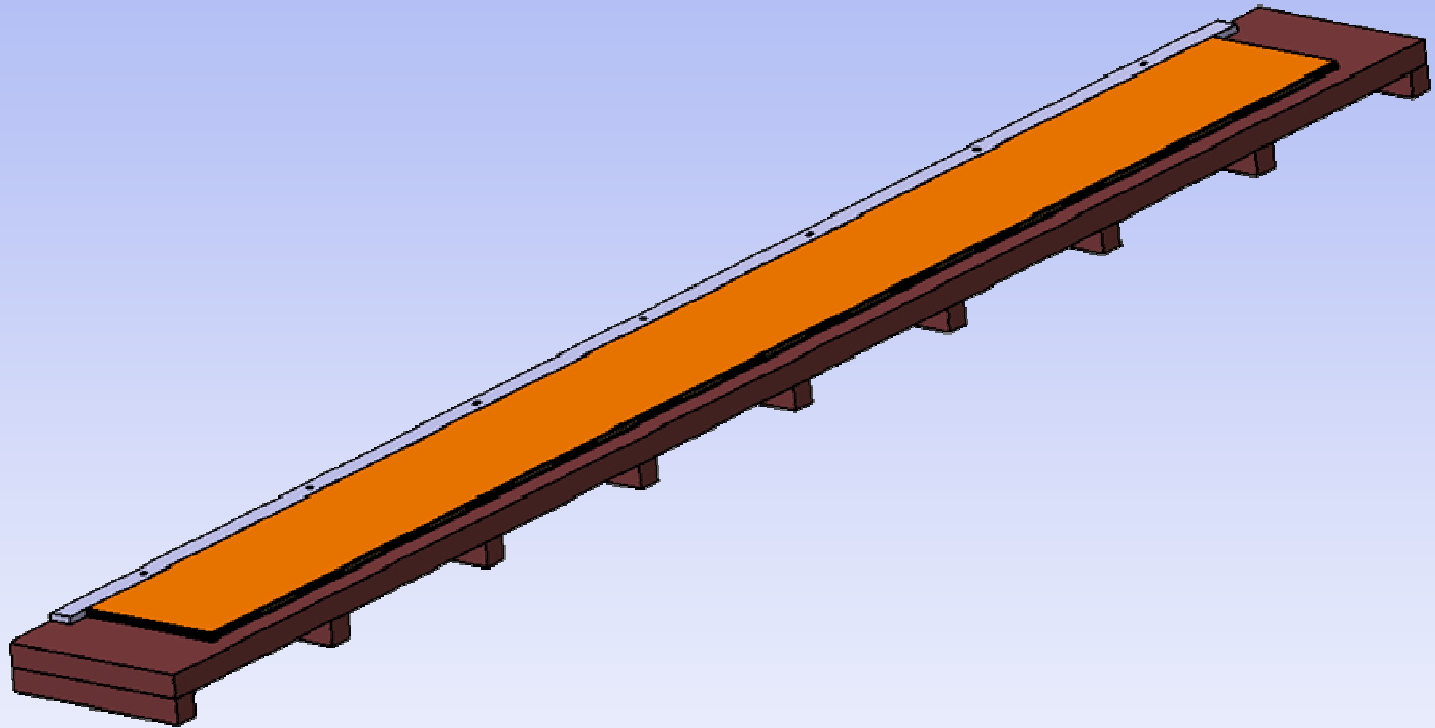


Opening side B

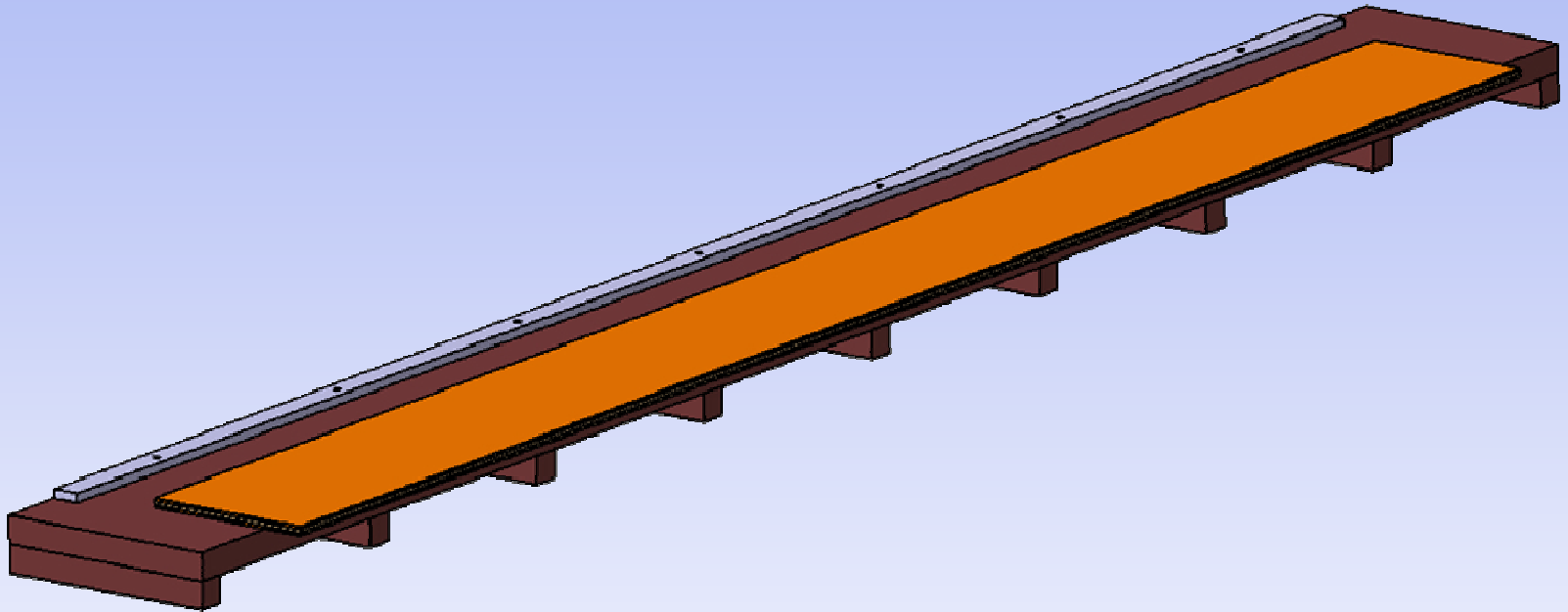


Filling up side B

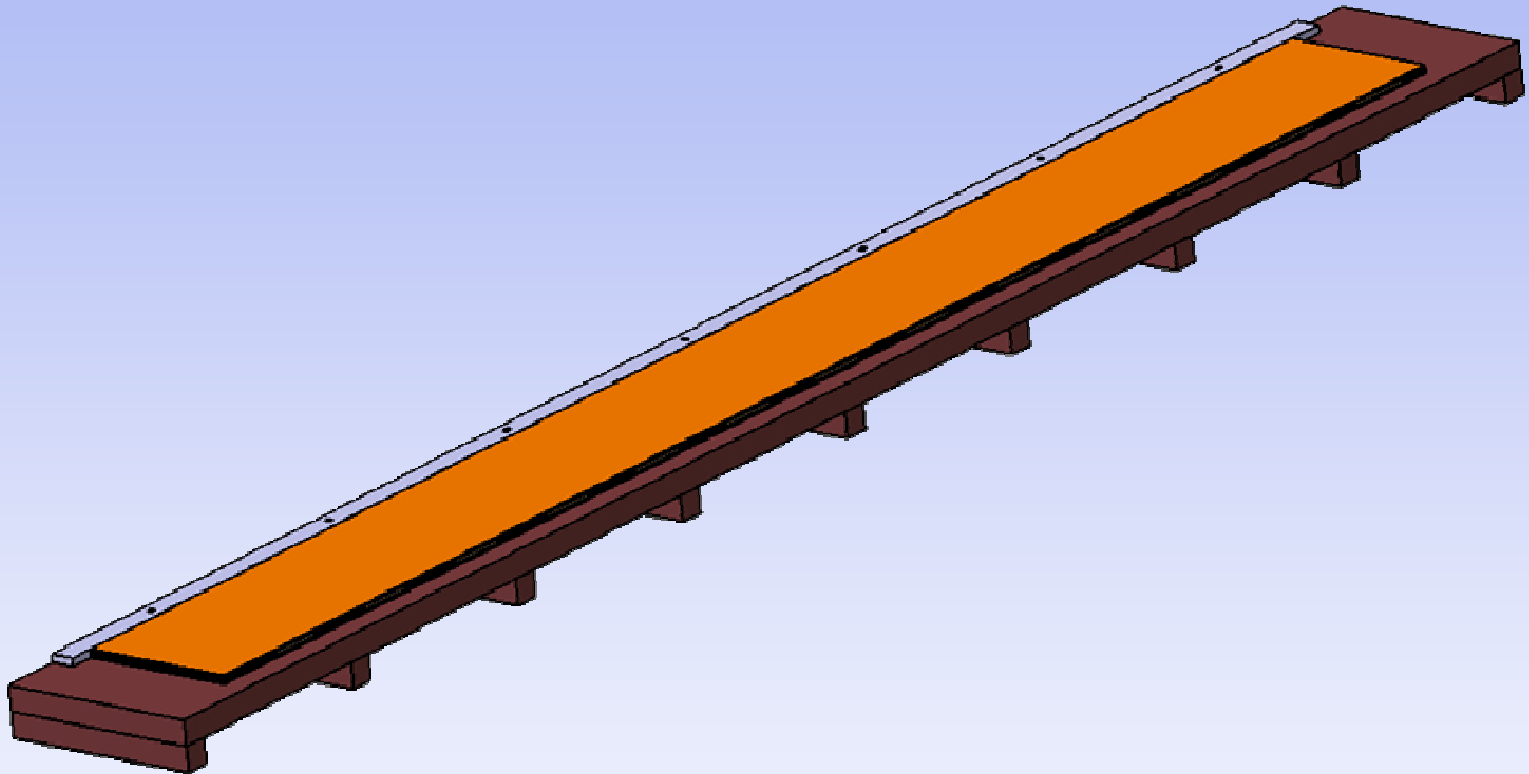




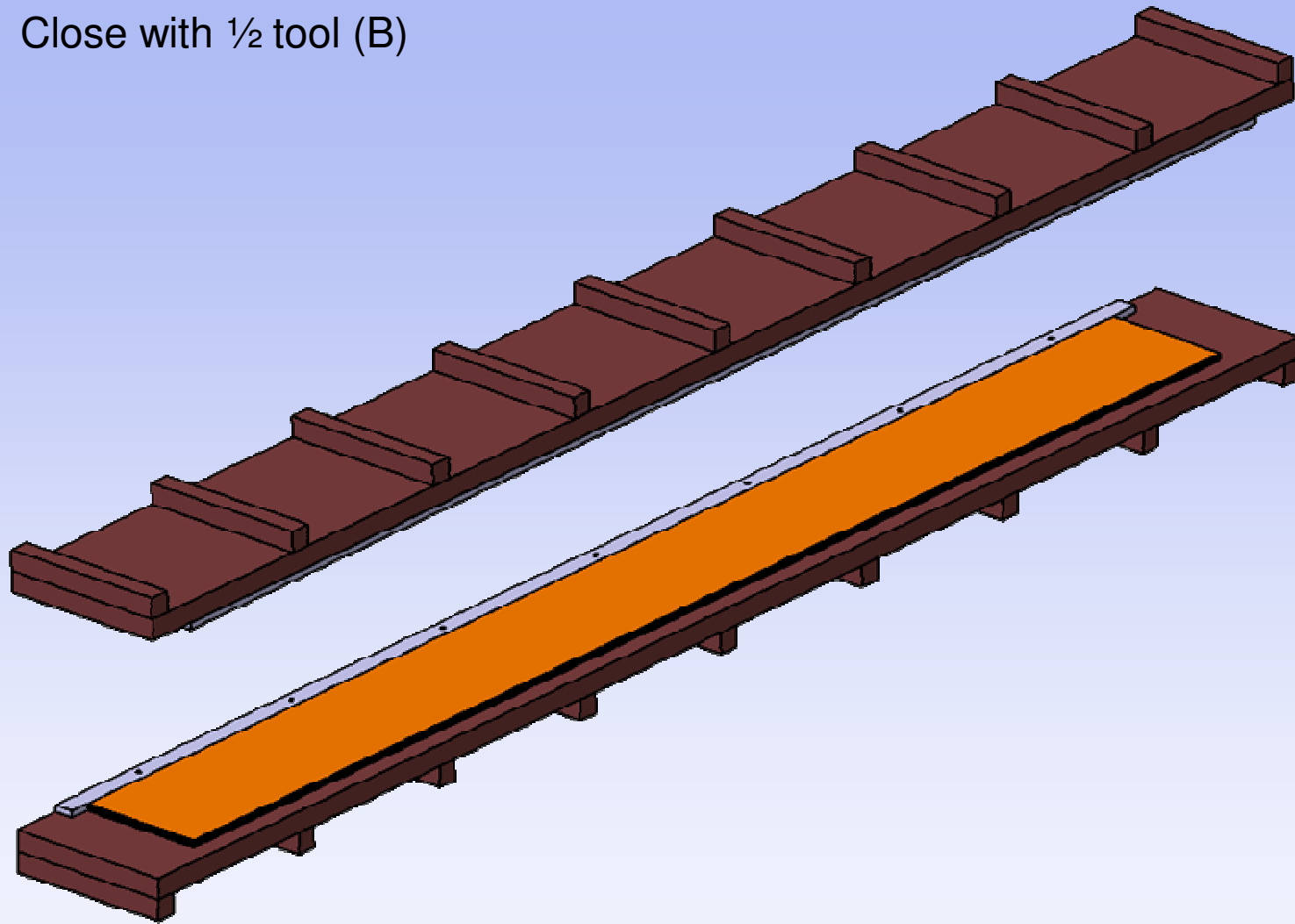
Slab slip on side to clamp the edge (I) with copper tape (specific modified tape driver).



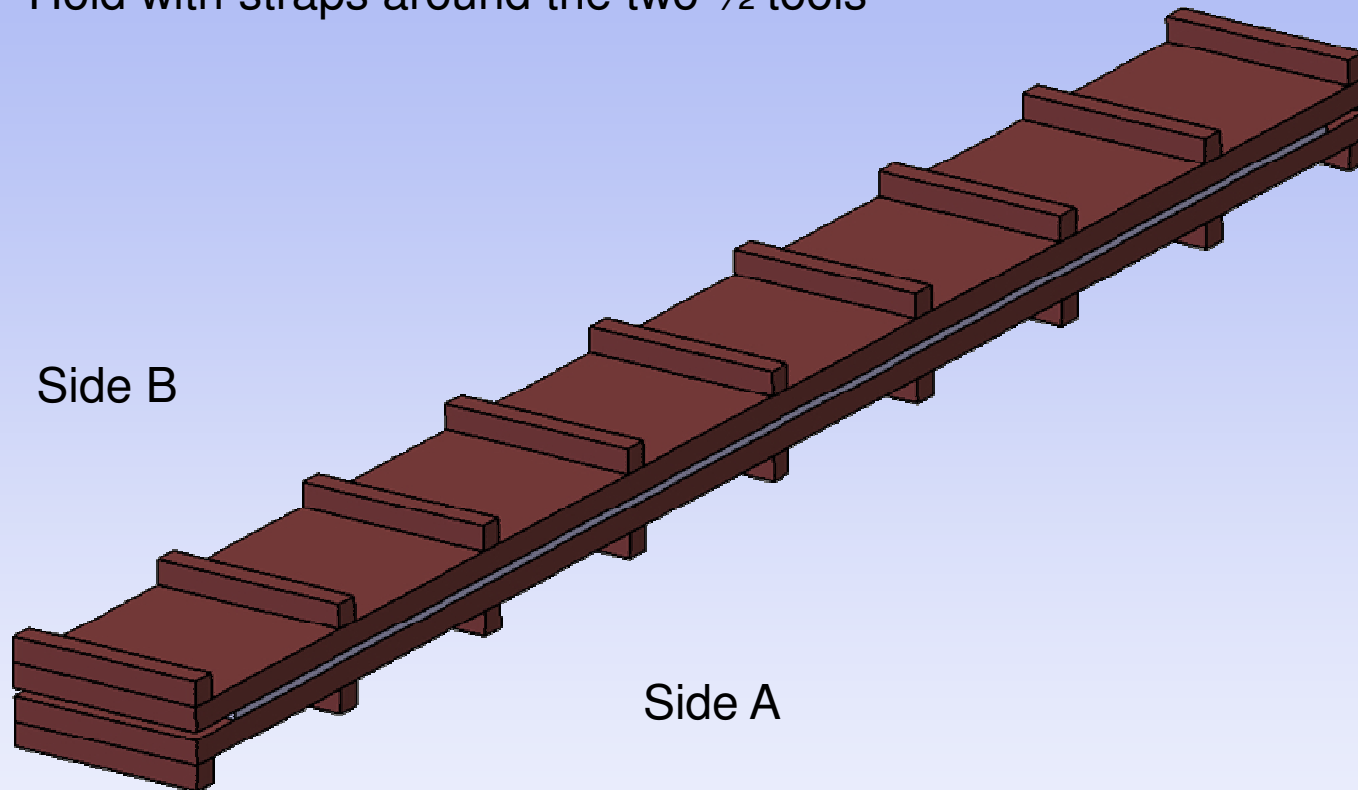
Slab slip in initial position



Close with 1/2 tool (B)



Hold with straps around the two  $\frac{1}{2}$  tools

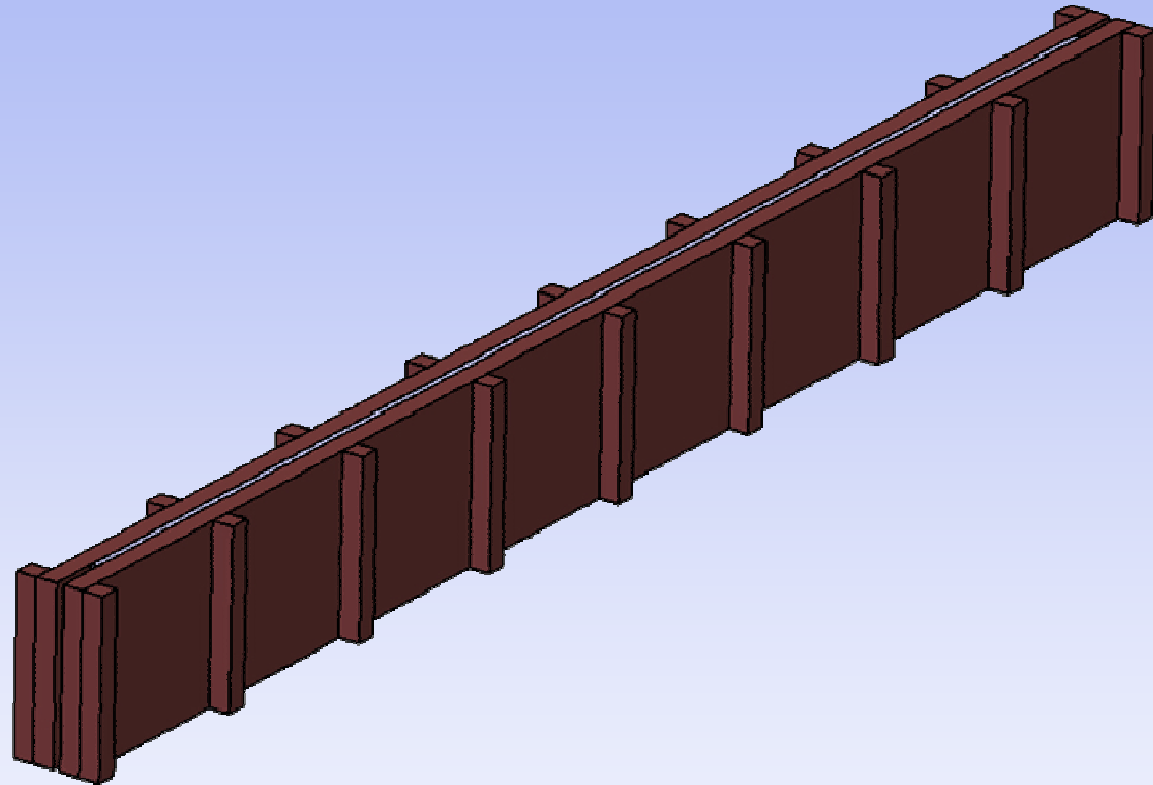


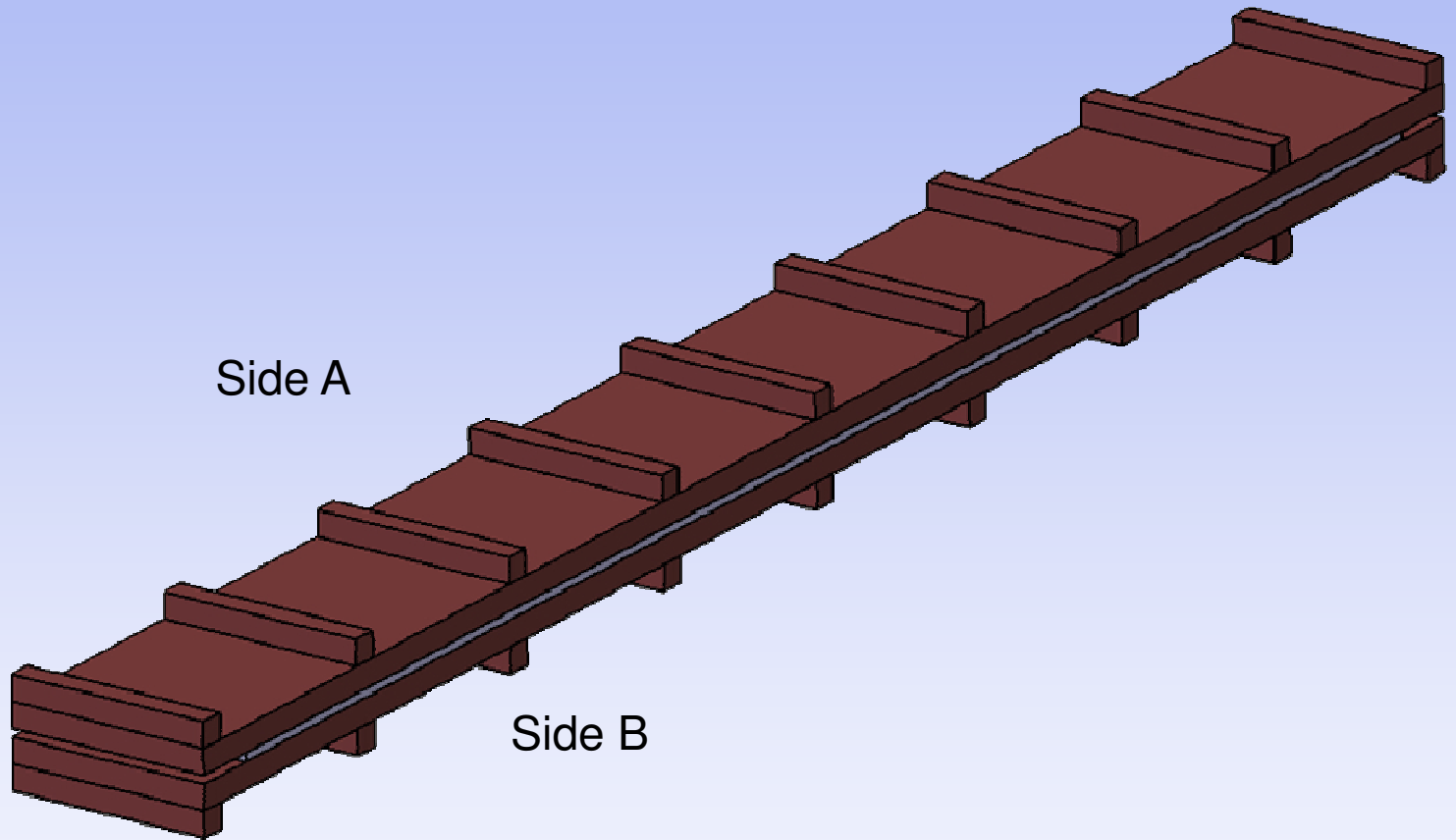
Side B

Side A

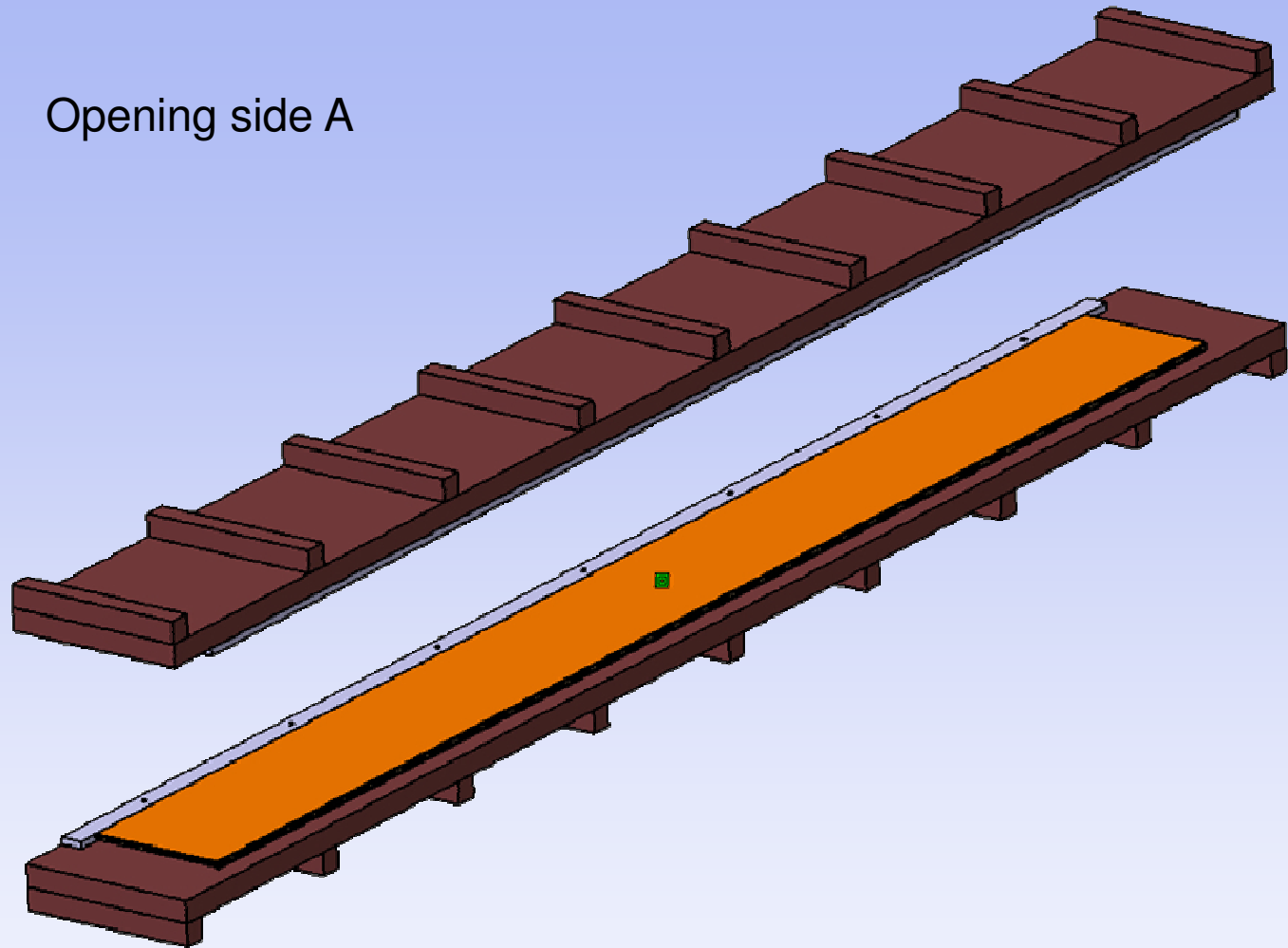


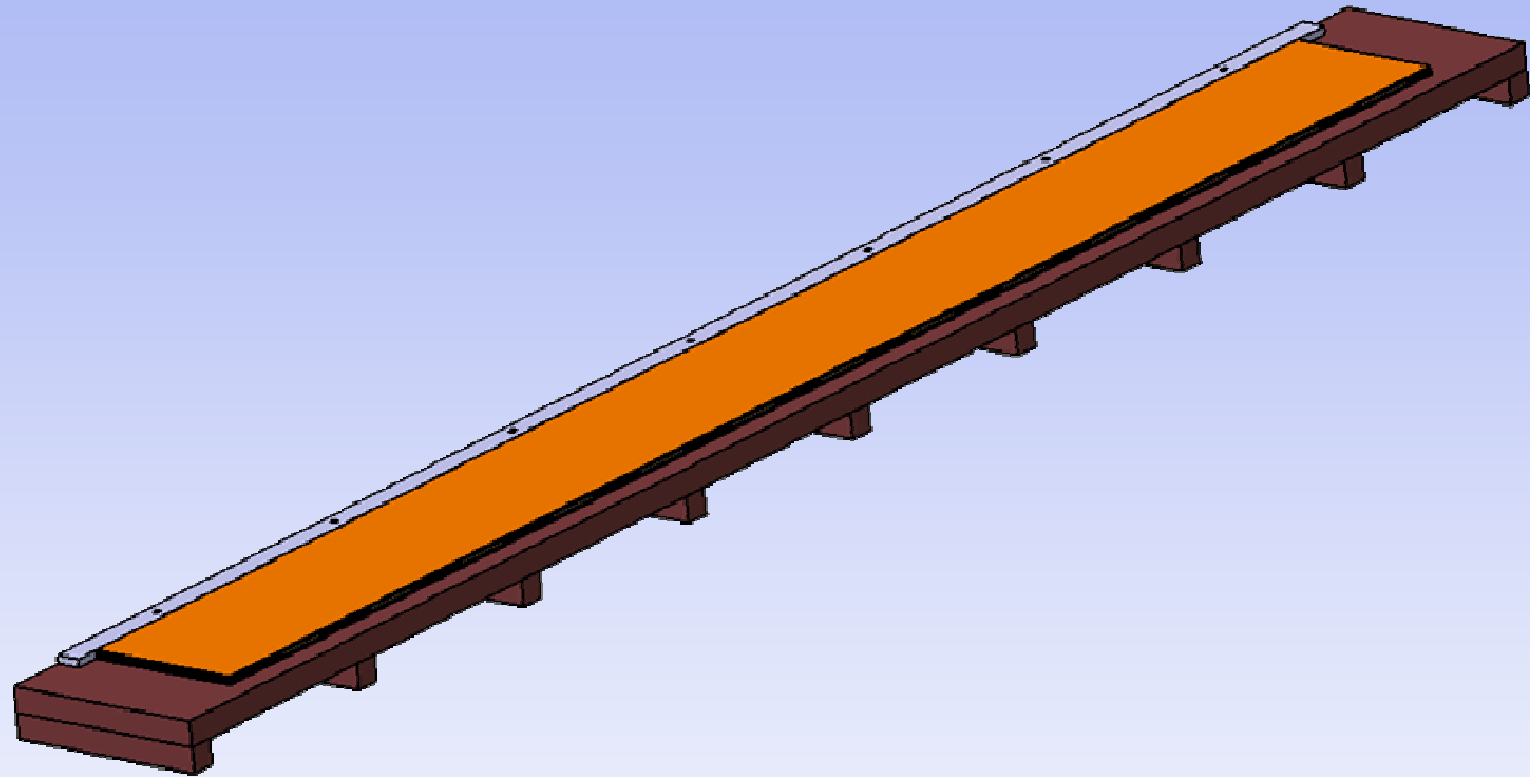
Resersal by hands



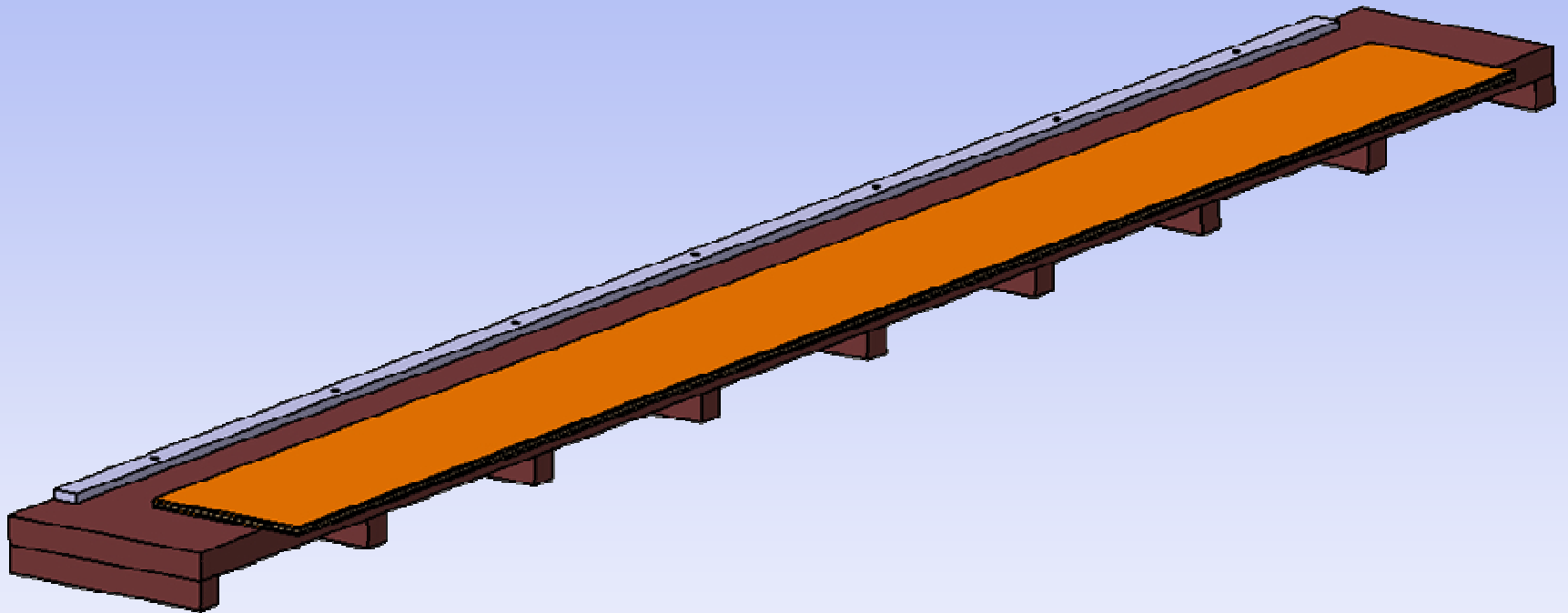


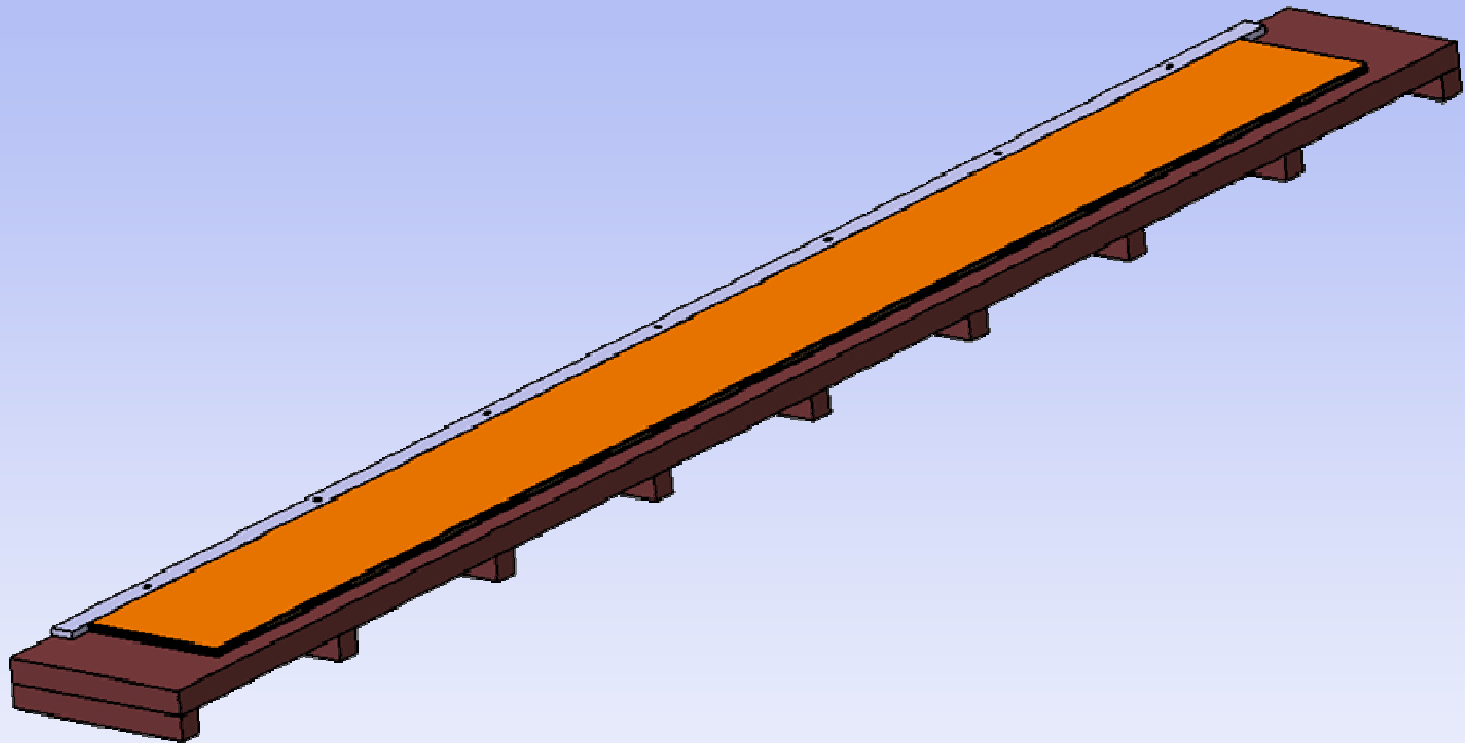
Opening side A



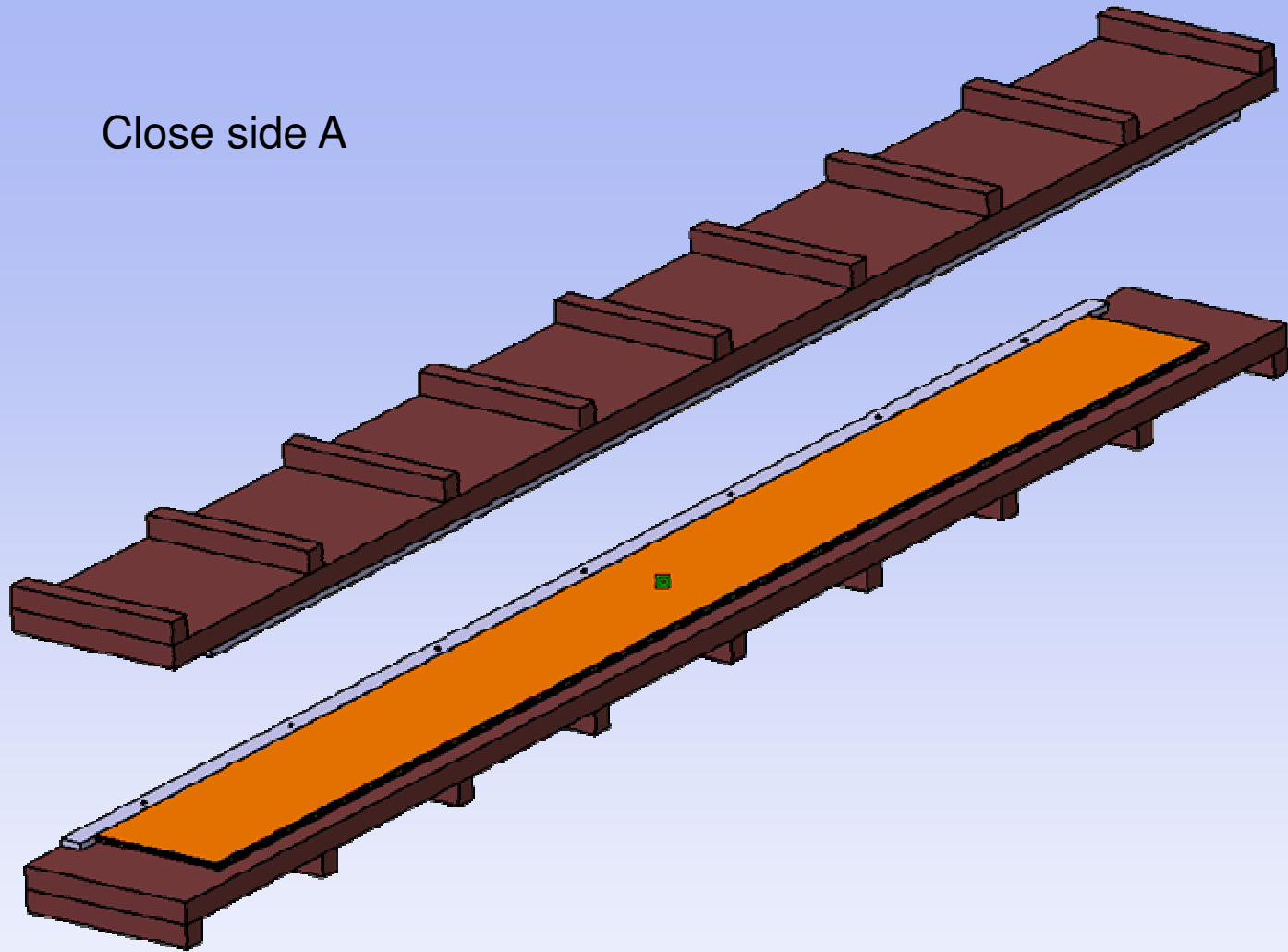


Slab slip on side to clamp the edge  
(II) with copper tape





Close side A



Hold with straps around the two  $\frac{1}{2}$  tools  
= Storage box

