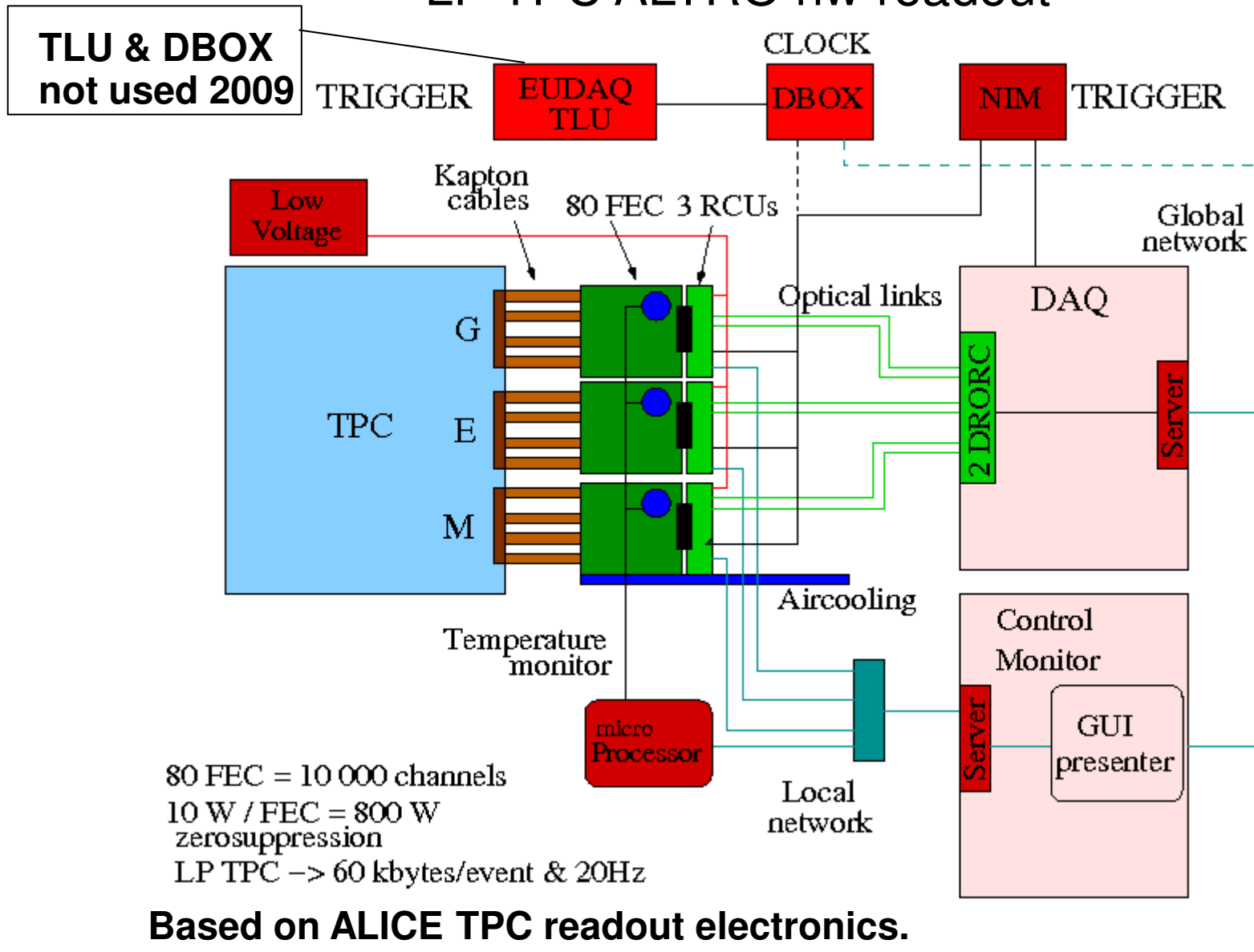


**LP-TPC ALTRO READOUT  
2009 – 2010 test beams**

**and**

**Future??**

# LP TPC ALTRO hw-readout



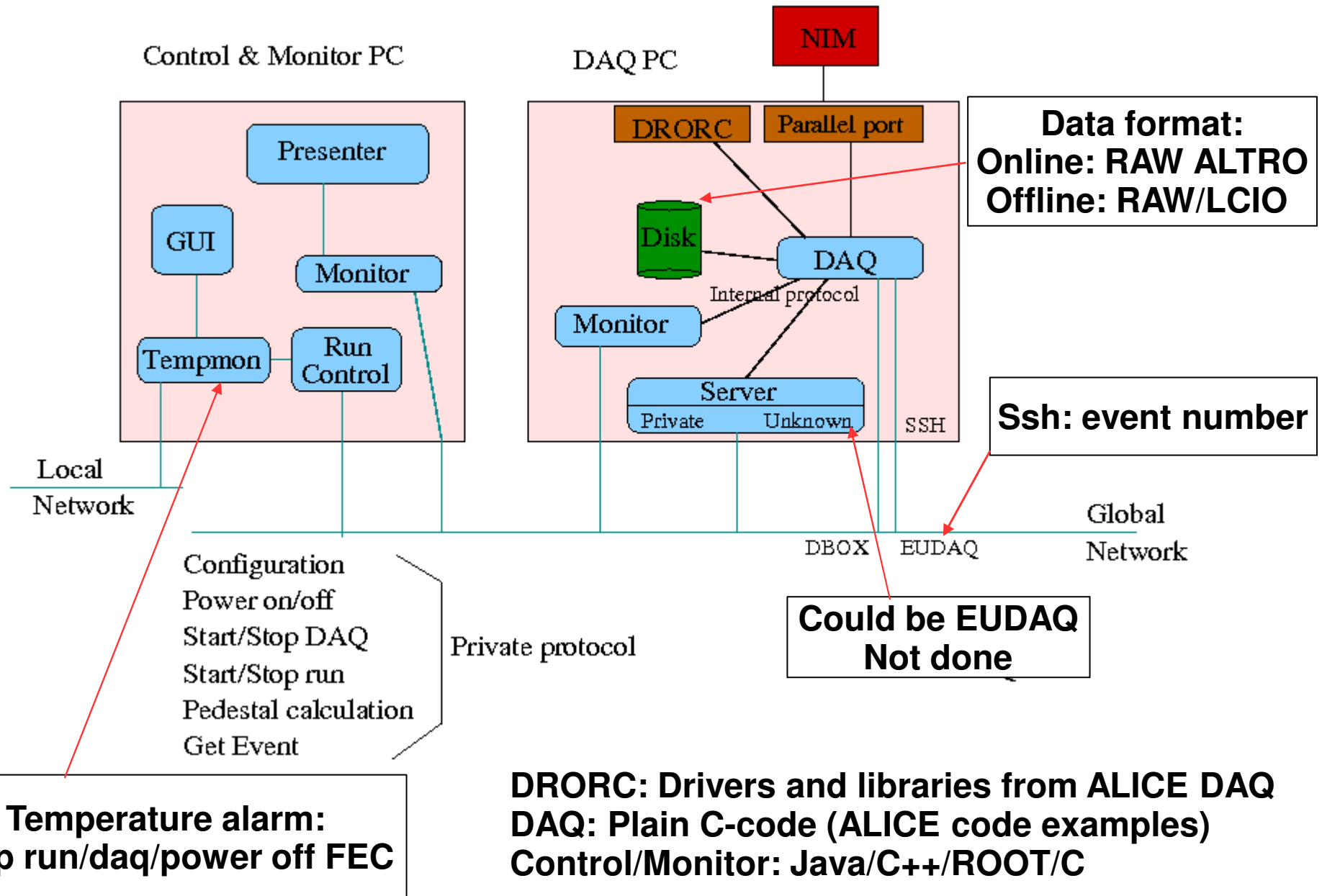
**Based on ALICE TPC readout electronics.**

**FEC = Front End Card (modified, programmable amplifier)**

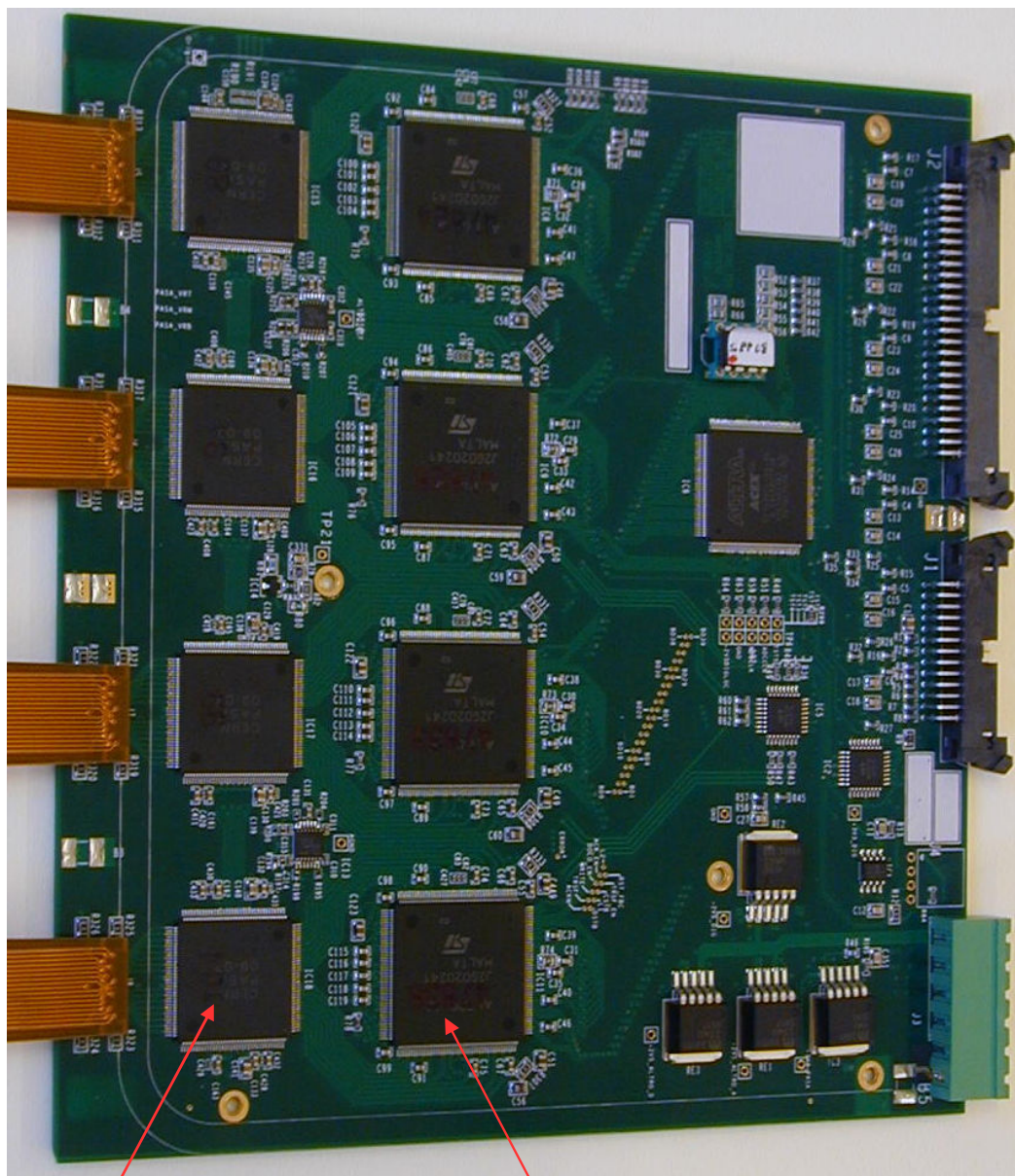
**RCU= Readout Control Unit (modified trigger/clock inputs**

**DRORC = Data ReadOut Receiver Card**

# LP-TPC ALTRO STANDALONE sw-readout



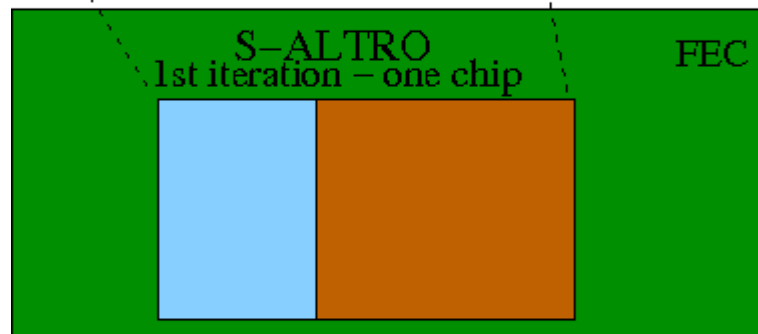
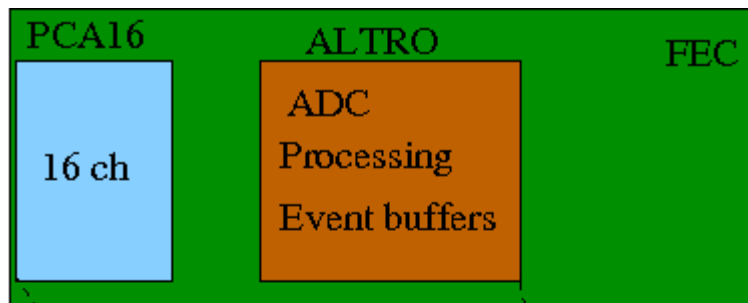
# Front End Card



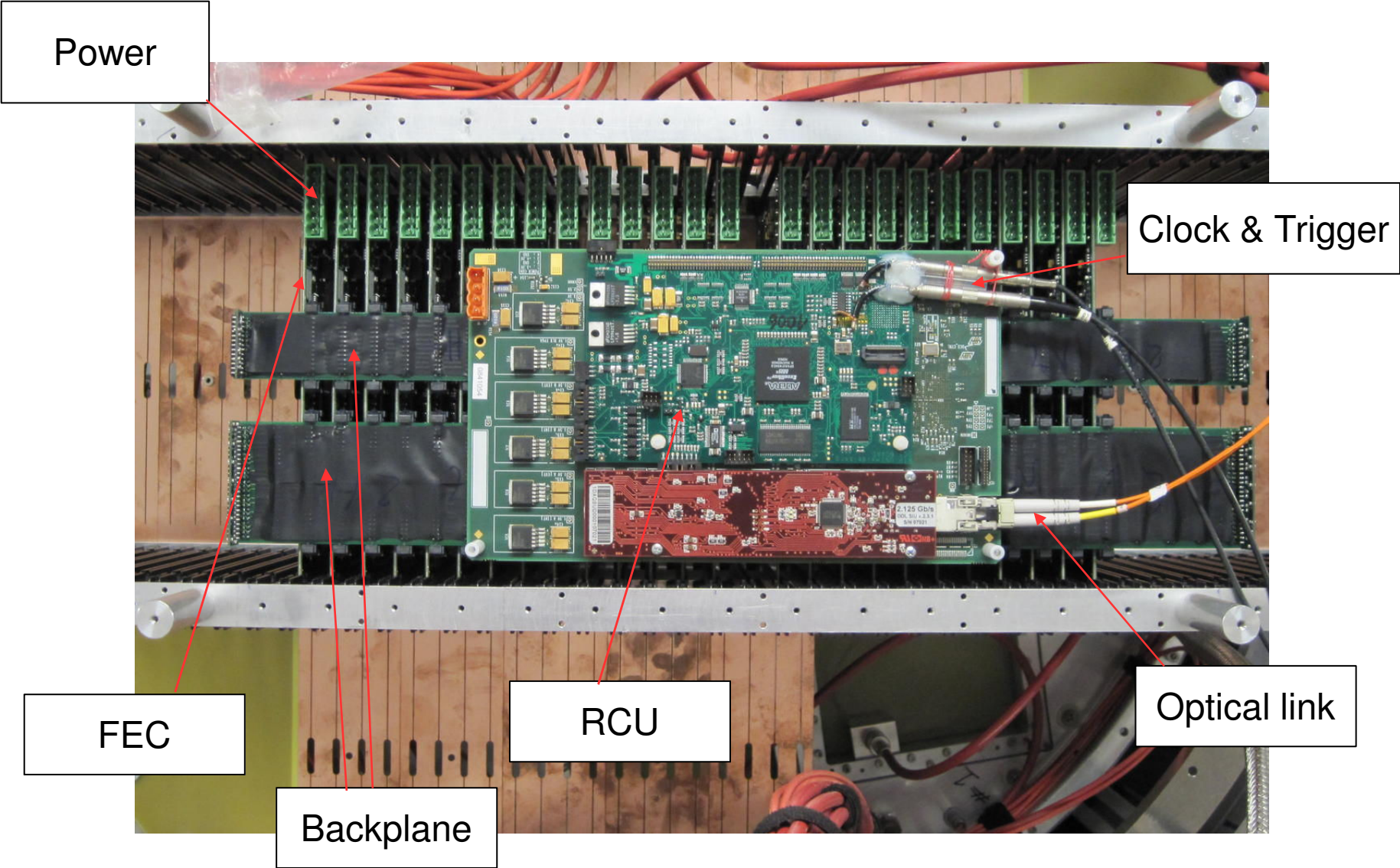
**PCA16  
(programmable)**

**ALTRO**

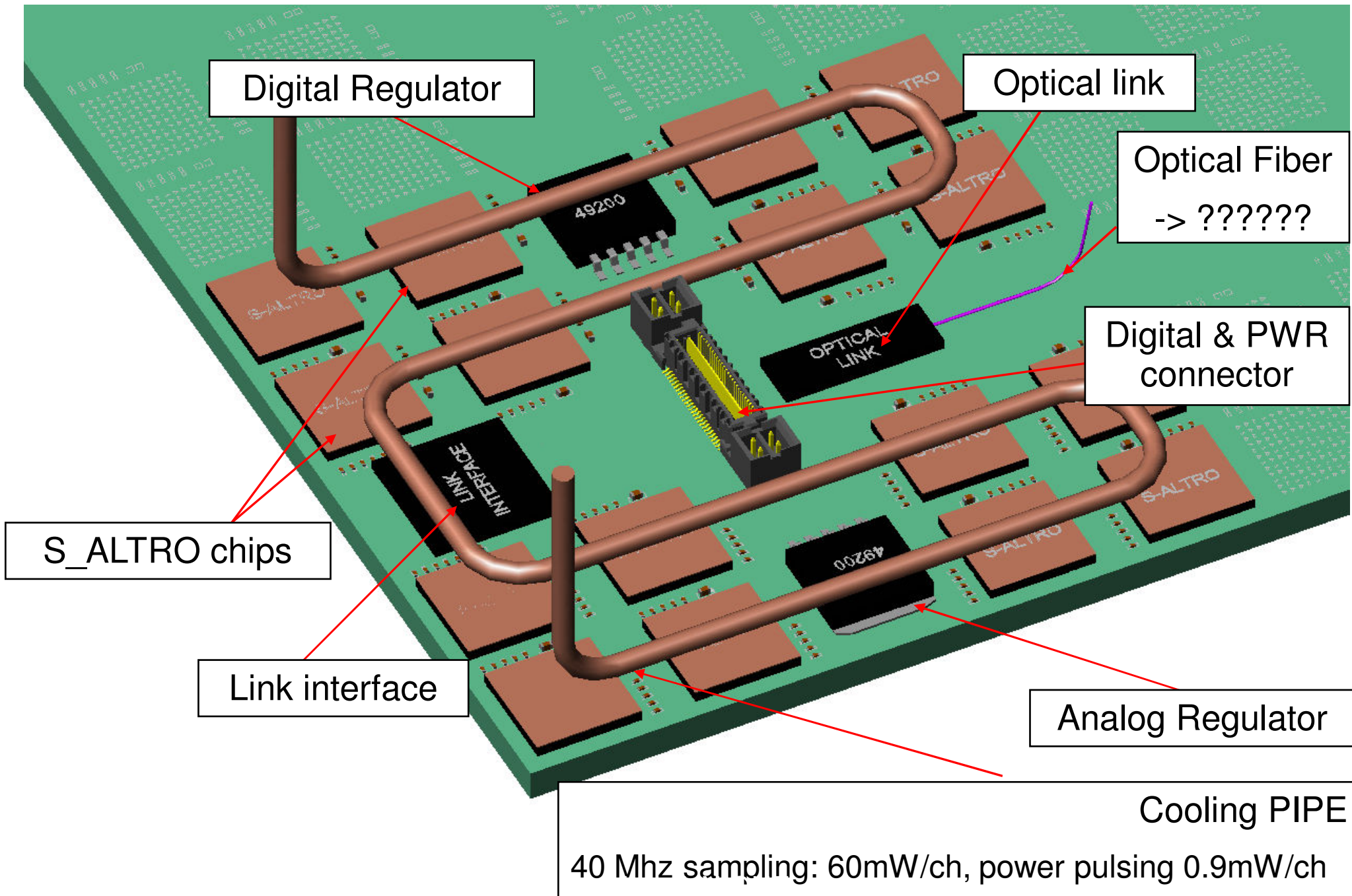
# Future



# ALTRO READOUT



# S-ALTRO mounted on TPC end plate



**DESY:**

**working on the integration MicroTCA and the local control system DOOCS**

**Possible future?**

**rebuild existing ALTRO DAQ for the LPTPC within MicroTCA**

**Split I/O streams to DOOCS and DAQ process (EUDAQ or whatever)**