

Cryogenics for ILC TA

- Current Status
- Plans and issues

Current Status

ILCTA MDB

- CapCav II CM conversion for 2K operation - **80% complete**
- HTC cryogenics
 - Feed box - **done**
 - Pumping line - **done**
 - Supply transfer line – **90% complete**
 - Controls – **60%**
- Start the ILCTA_MDB vacuum pump commissioning – **done**
- Finish CTF purifier compressor commissioning - **done**

Current Status (cont'd)

ILCTA NML

- Finish NML refrigerator room cleanout – **90% complete**
- Send Lab B Mycom compressor piping contract out for bid – **done**
- Send out a bid package for He storage tanks repair - **90% complete**
- Send out a bid package for He purifier - **90% complete**
- Install NML heat exchanger – **done**
- Refurbish FRICK compressor - **90% complete**
- Finish LN2 bayonet can design - **done**

Plans and issues

Plans

- Finalize resource loaded project schedule
- Finish the ILCTA_MDB vacuum pump commissioning
- Finish NML refrigerator room cleanout and move in equipment (valve box, engines, etc.)
- Start Lab B Mycom compressor piping
- Send out a bid package for He storage tanks repair
- Send out a bid package for He purifier
- Start to connect NML heat exchanger to the valve box
- Finish refurbishing of the FRICK compressor

Issues

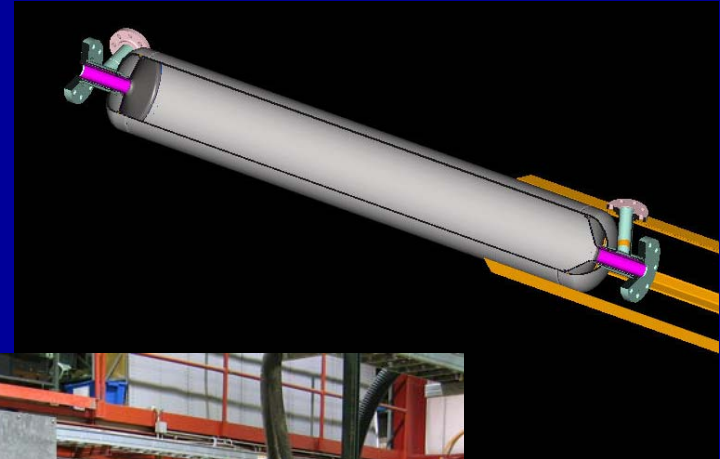
- Resource availability



CCM
as staging area

April 19, 2006

Frick compressor



NML LN2 bayonet can

