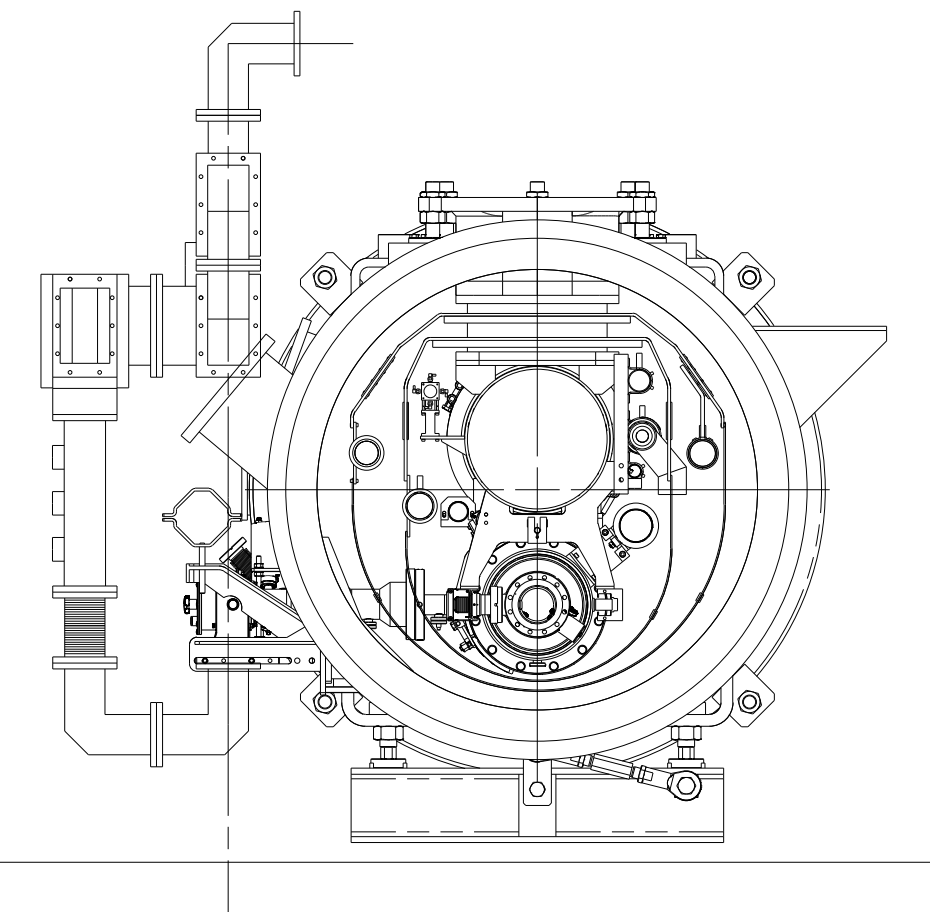
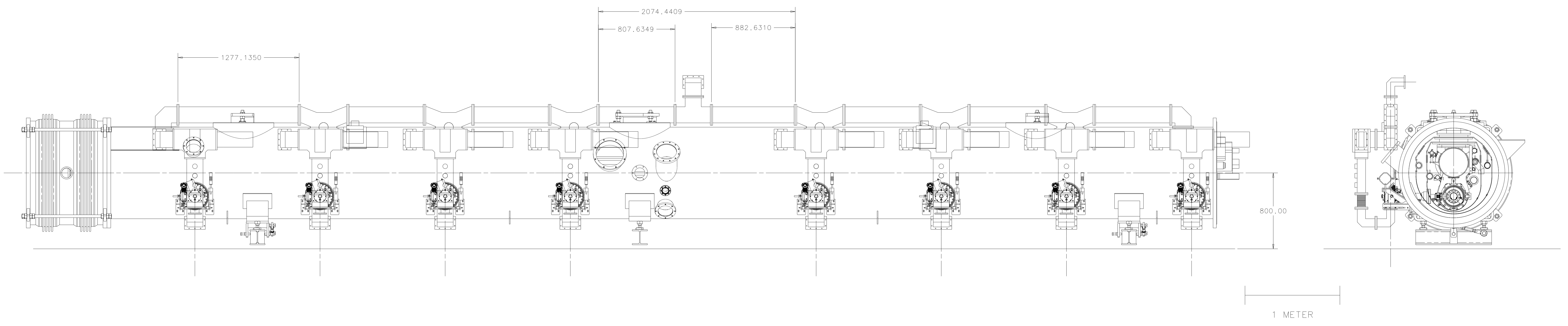
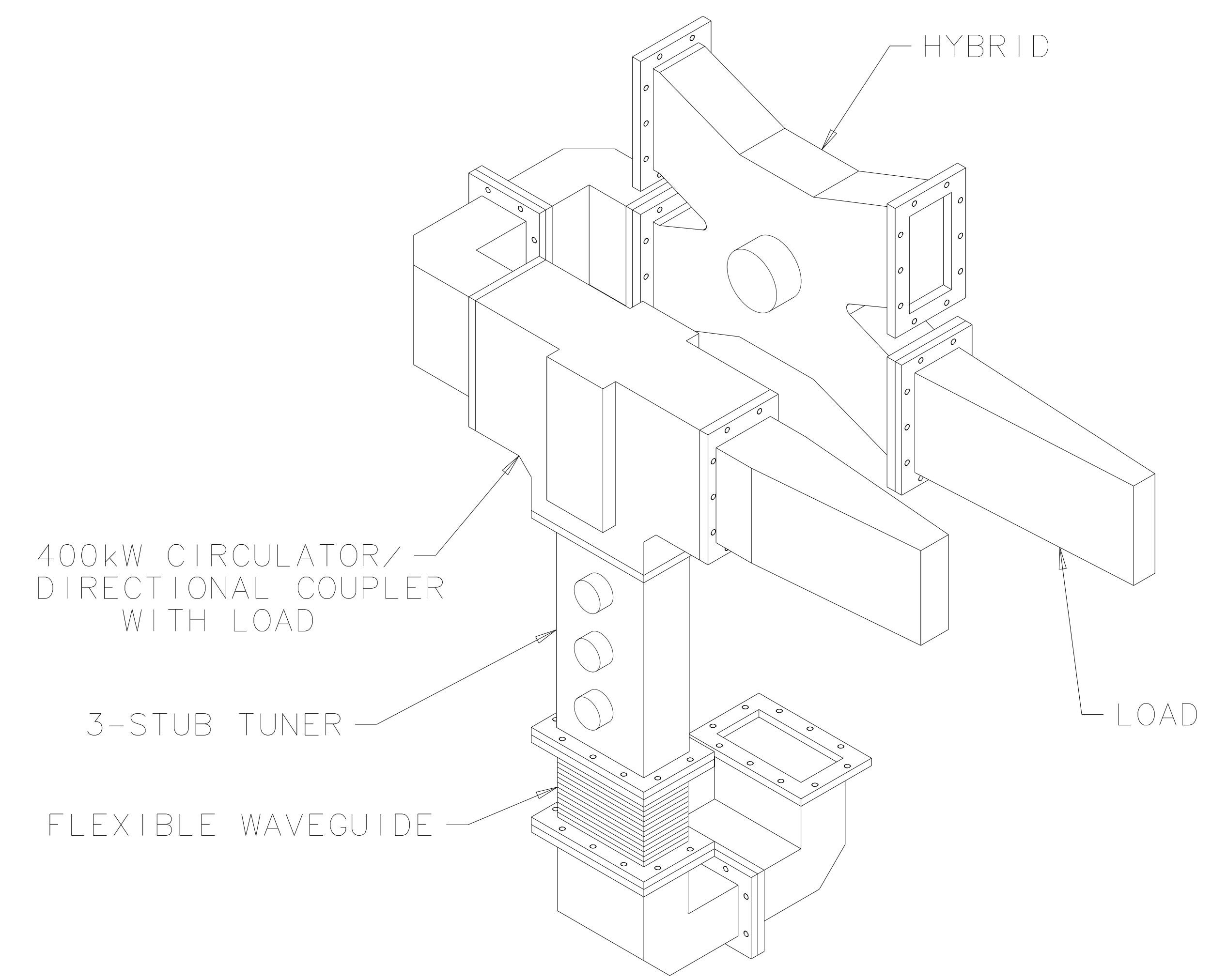
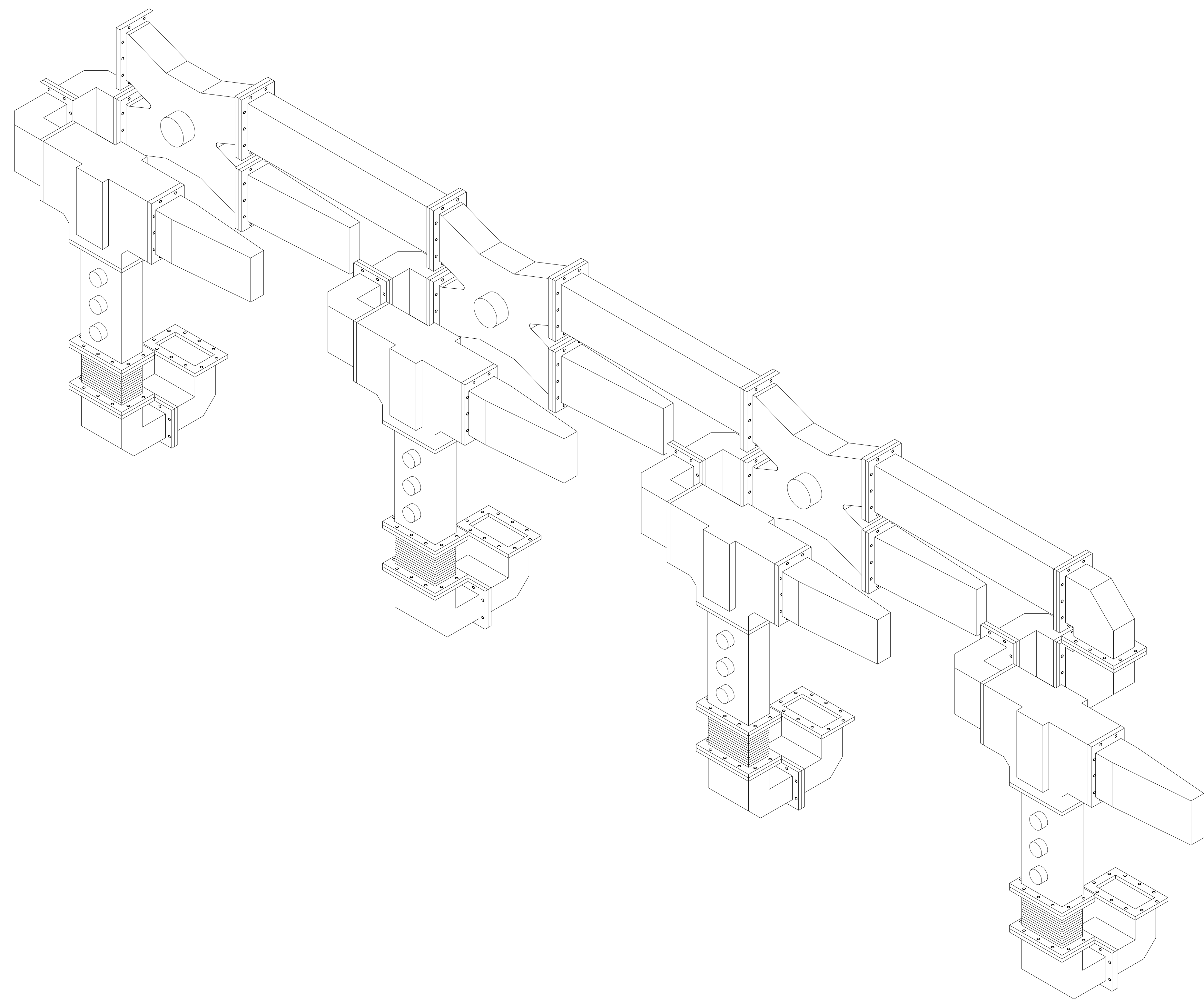


REV	DESCRIPTION	DRAWN APPROVED	DATE



UNLESS OTHERWISE SPECIFIED		ORIGINATOR	J. LEIBFRITZ	19-APR-2006
		DRAWN	S. WESSELN	19-APR-2006
+	+	CHECKED		
1. BREAK ALL SHARP EDGES		APPROVED		
2. DO NOT SCALE DRAWING		USED ON		
3. DIMENSIONS BASED UPON				
4. MAX. ALL MACH. SURFACES		MATERIAL		
5. DRAWING UNITS:				
FERMI NATIONAL ACCELERATOR LABORATORY UNITED STATES DEPARTMENT OF ENERGY				
ILC MAIN LINAC CRYOMODULE WAVEGUIDE LAYOUT				
SCALE	DRAWING NUMBER		SHEET	REV
			1 OF 1	
CREATED WITH :		GROUP:		
		1		