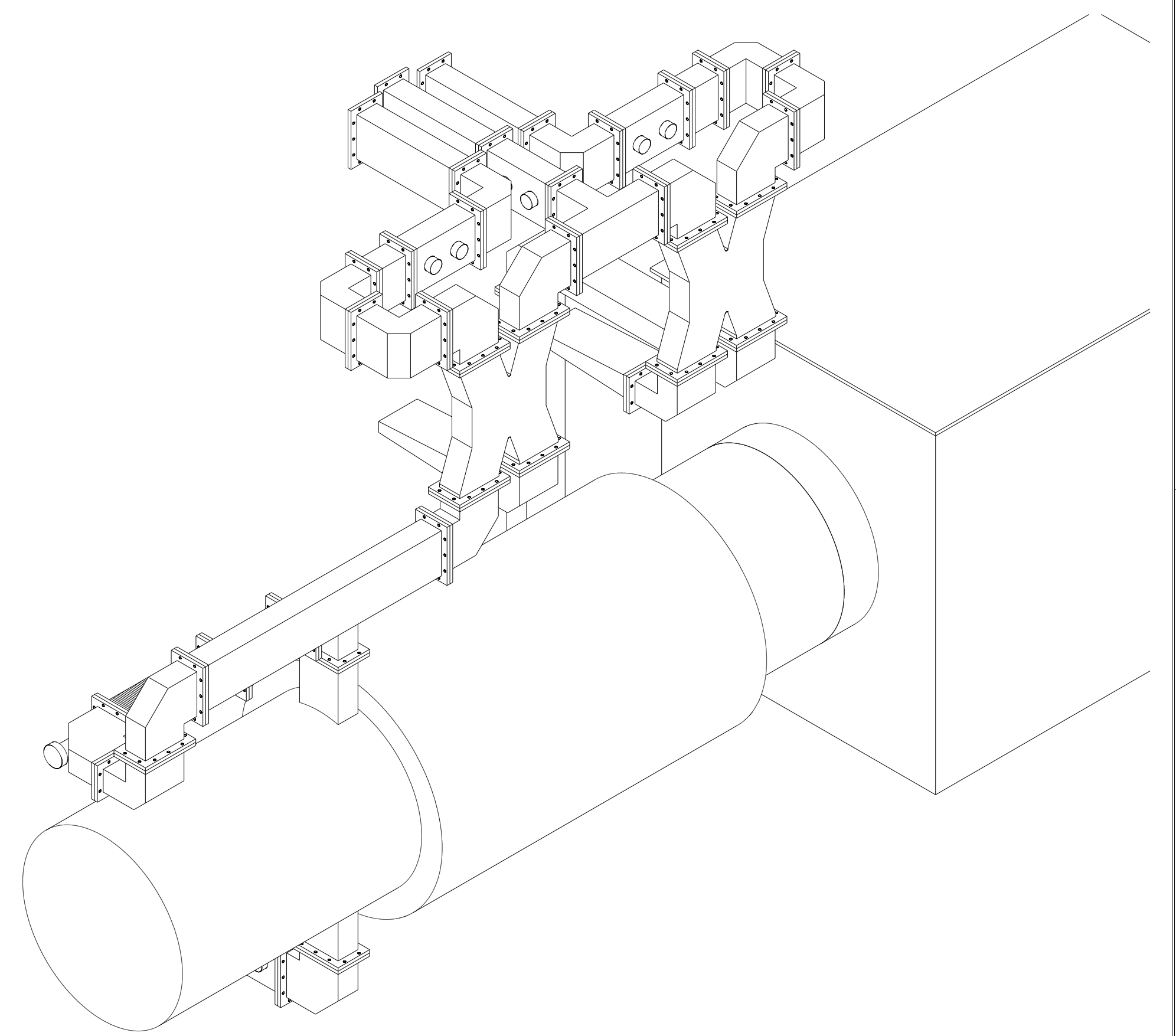
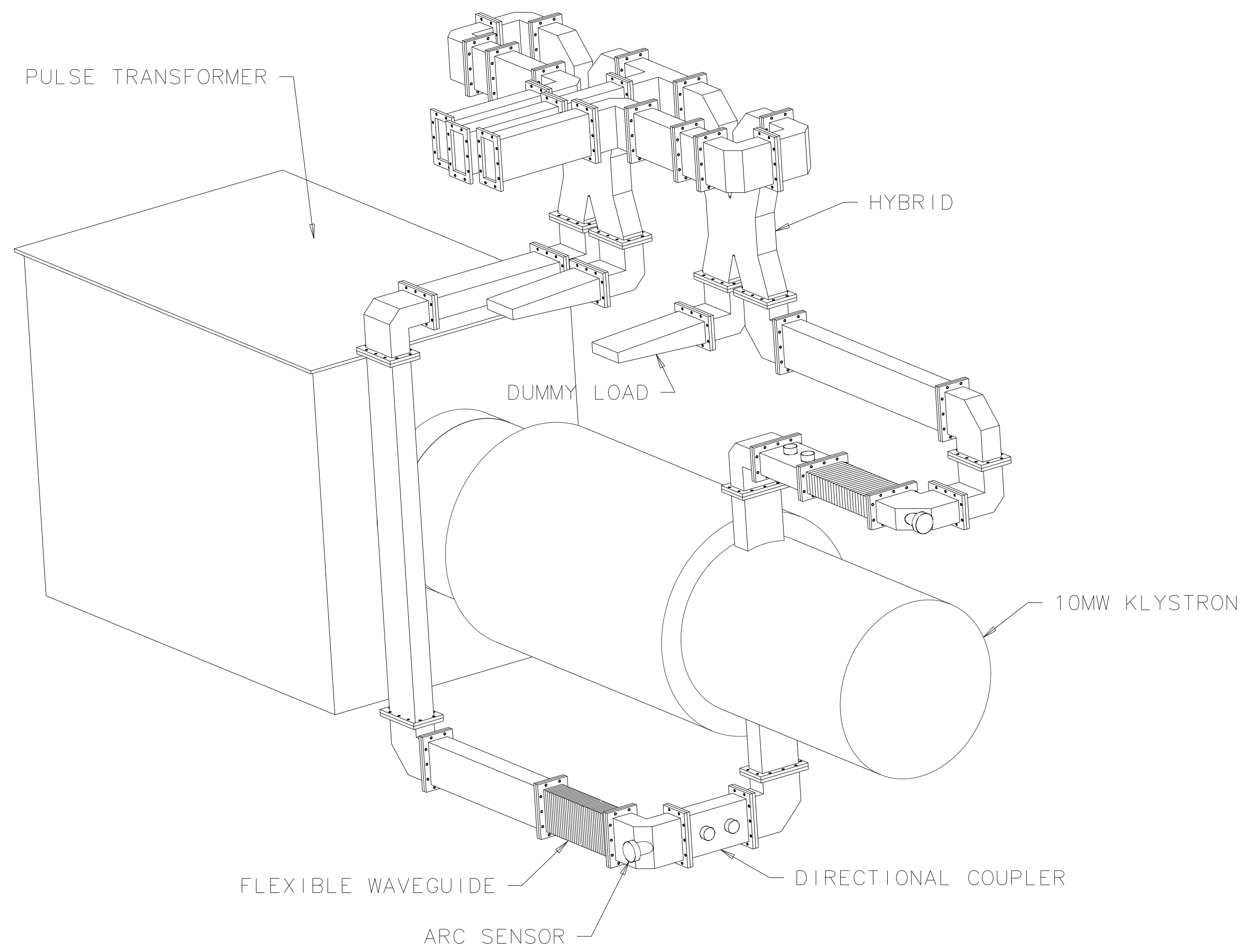
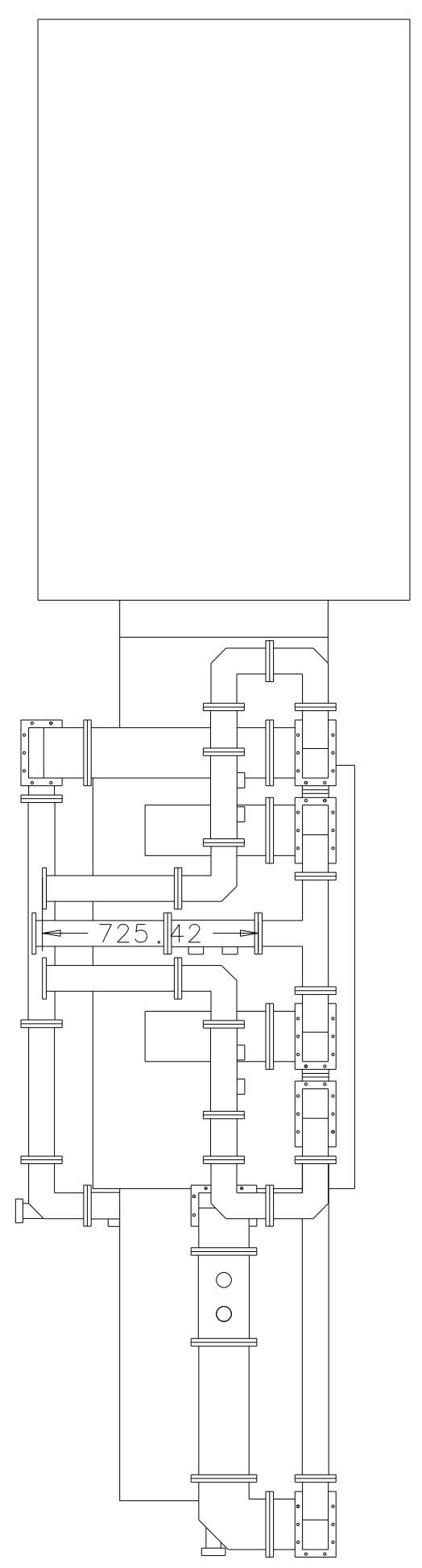


8 7 6 5 4 3 2 1

REV	DESCRIPTION	DRAWN	DATE
		APPROVED	DATE

D



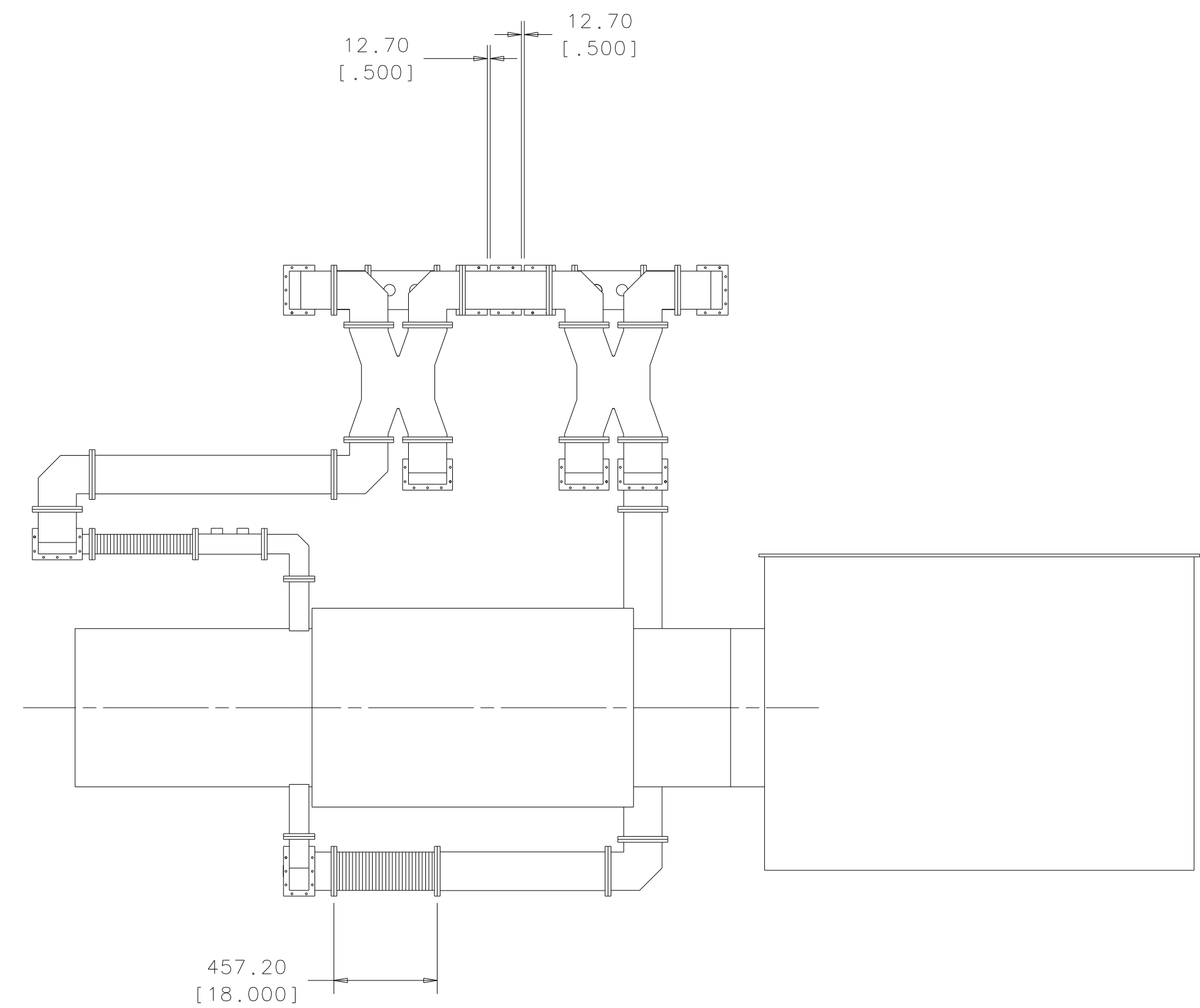
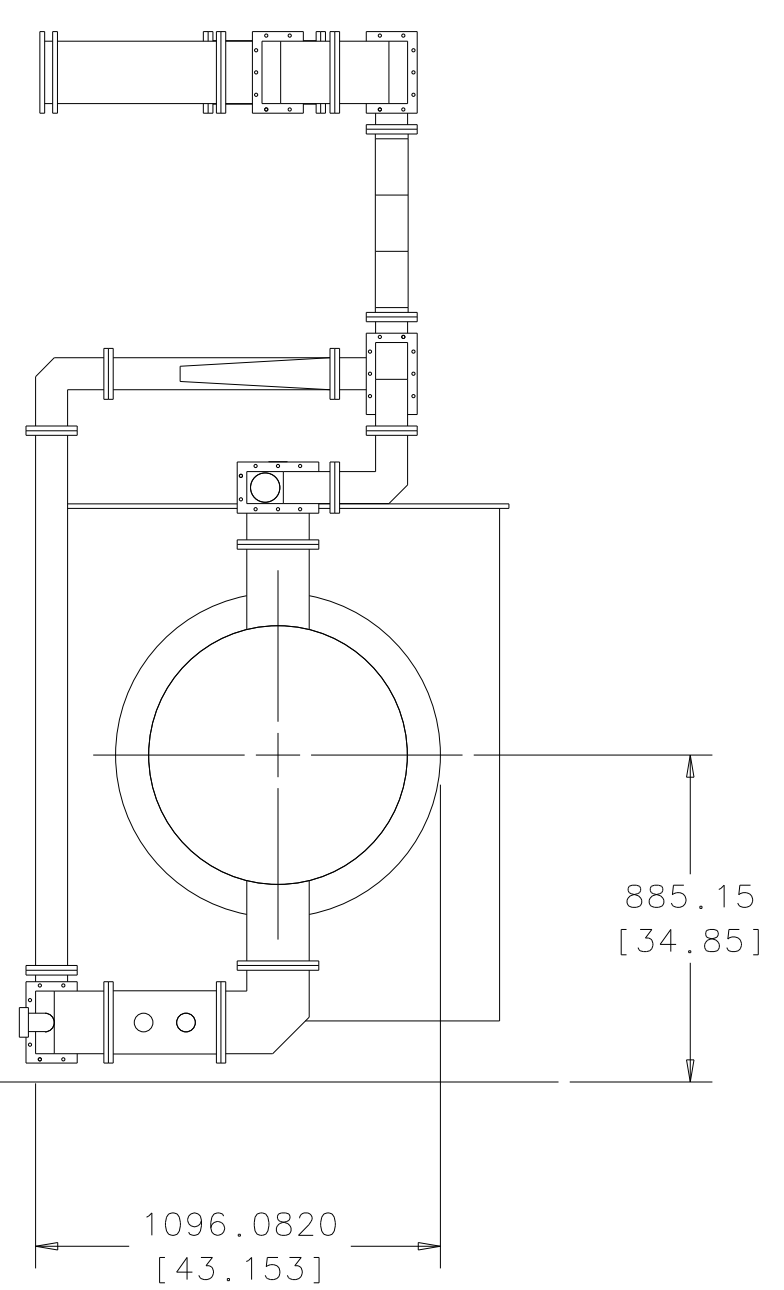
D

C

C

B

B



A

A

UNLESS OTHERWISE SPECIFIED	ORIGINATOR	J. LEIBFRITZ	24-APR-2006
	DRAWN	S. WESSELN	24-APR-2006
+	+	+	CHECKED
1. BREAK ALL SHARP EDGES MAX. 2. DO NOT SCALE DRAWING. 3. DIMENSIONS BASED UPON USED ON			APPROVED
4. MAX. ALL MACH. SURFACES MATERIAL			
5. DRAWING UNITS: <input checked="" type="checkbox"/> IN			

FERMI NATIONAL ACCELERATOR LABORATORY
UNITED STATES DEPARTMENT OF ENERGY

ILC MAIN LINAC
10MW KLYSTRON LAYOUT

SCALE	DRAWING NUMBER	SHEET	REV
		1 OF 1	
CREATED WITH :		GROUP:	

8 7 6 5 4 3 2 1