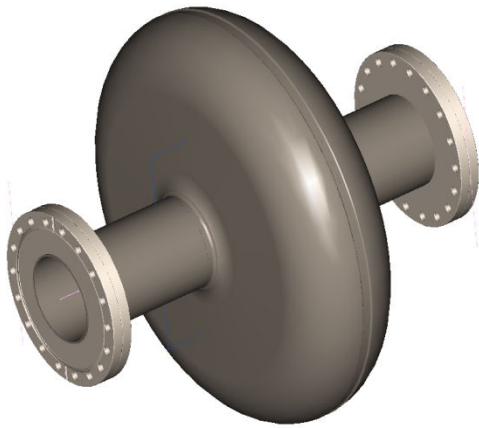
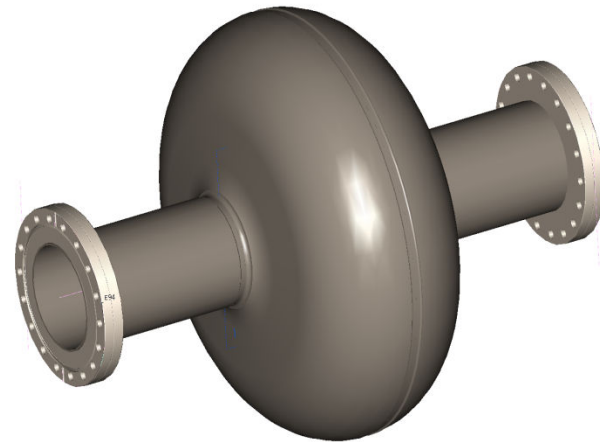


650MHz Single Cell Cavities



650 MHz $\beta=0.6$



650 MHz $\beta=0.9$

Overview

- 650-325MHz Cavity Team – Monday Afternoons
- CAD Project/Library in Place on the Fermi TDM
- Folder Structure Set-up on Q:\650MHz
- Developing Serialization and Travelers for “On Base” & “Vector” Systems
- Met with Jefferson Lab to Discuss Fabrication Issues
- Preliminary Single-Cell Fabrication Spec.

Overview

- Drawings are Complete For $\beta=0.6$ & $\beta=0.9$
 - Under Review
- Req. Written for Niobium and Nb-Ti
 - Cavities – 5 Each Style
 - Currently have material on-hand for 2 cavities