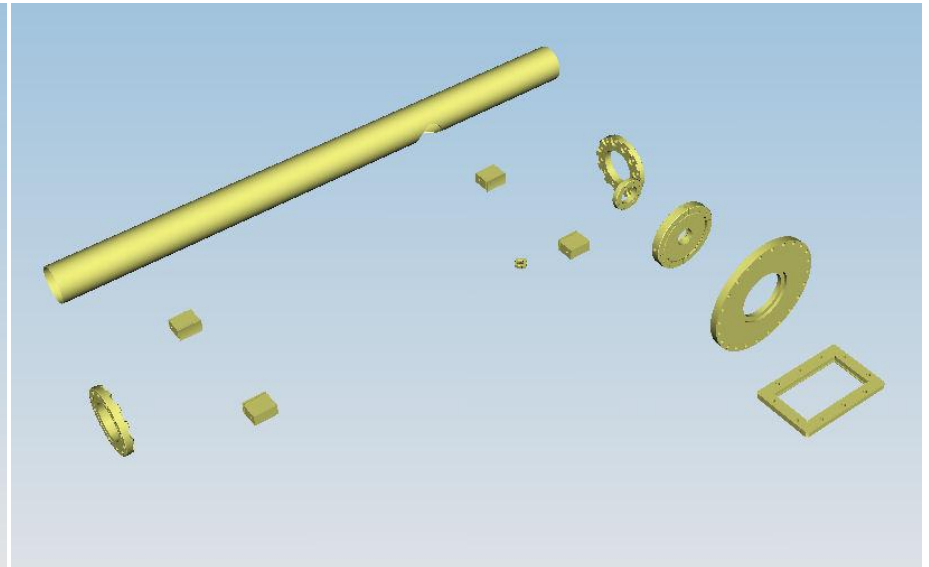
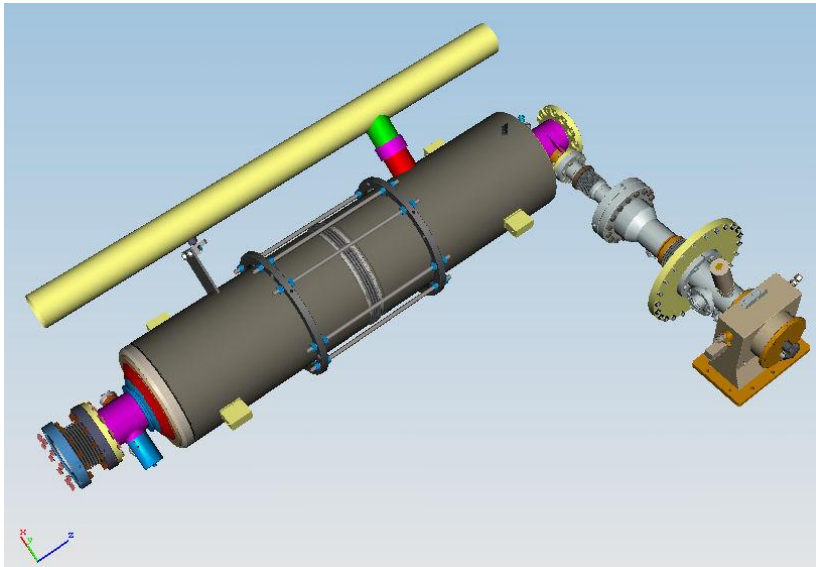


# Cryomodule Design for TDR-1

## 1. Plug-compatible interface design

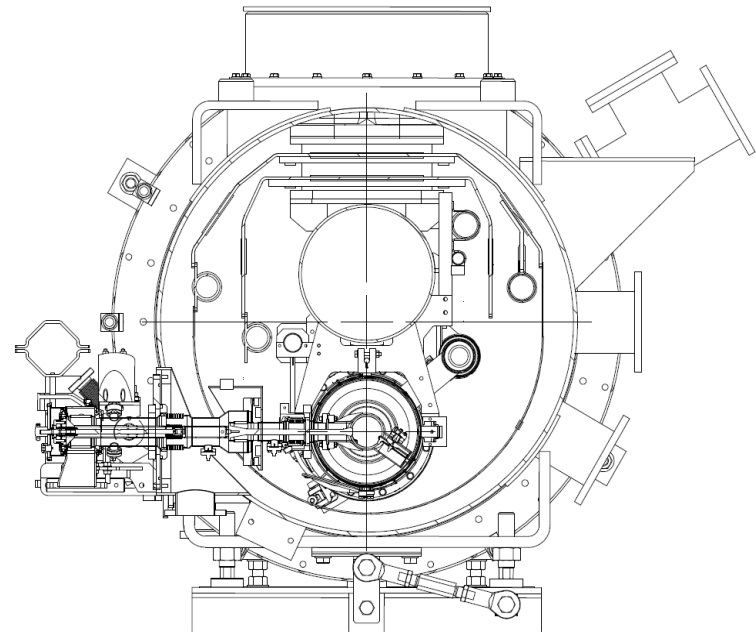
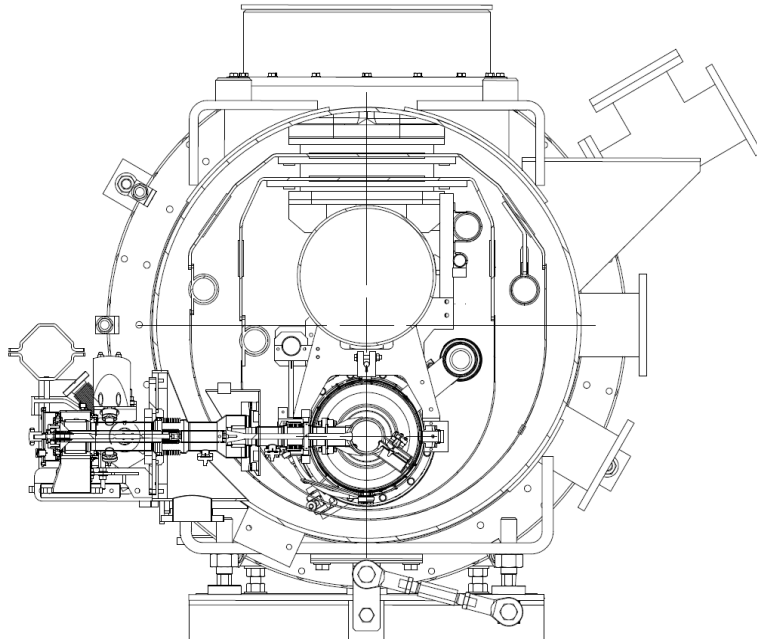
- Interface of the components for plug-compatibility
  - Magnetic shield design should be included.
    - Outer shield (DESY/FNAL) or Inner shield (KEK)
- Design of the components



# Cryomodule Design for TDR-2

## 2. Thermal shield design

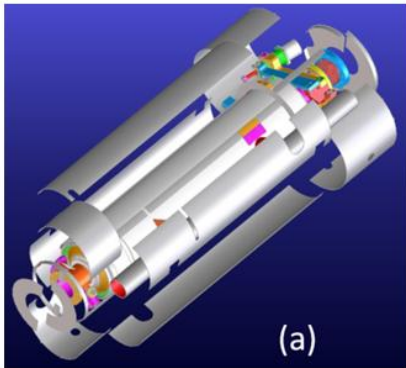
- One shield or two shields concepts
  - Thermal specification
    - Cooling scheme
  - Mechanical design of components
    - Thermal intercept design
- Cost comparison including the cryogenic system



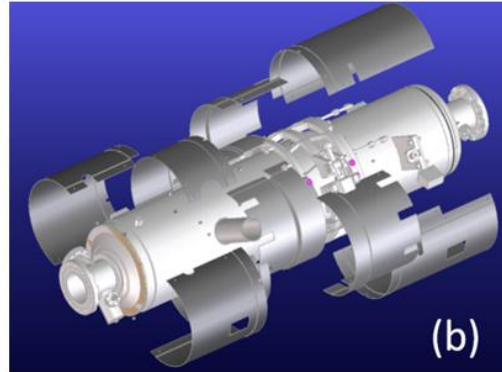
# Cryomodule Design for TDR-3

## 3. Magnetic shield design

- Outer magnetic shield and inner magnetic shield
- Comparison of the procedures and the cost of assembly in cryomodule

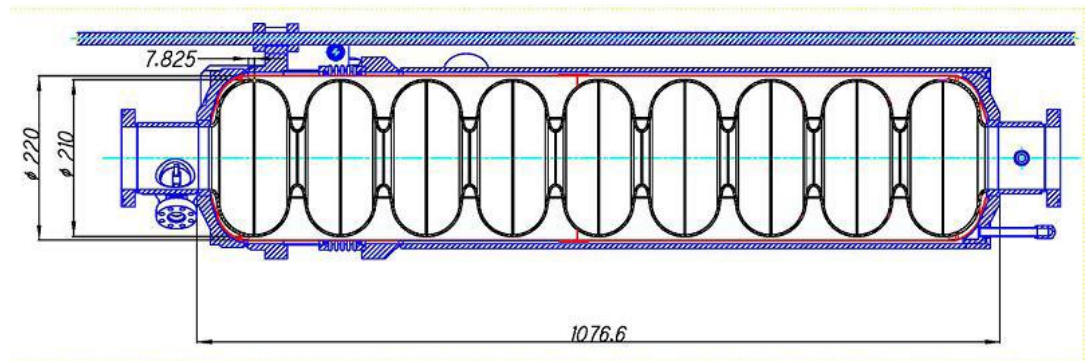


DESY cavity outer magnetic shield



FNAL cavity outer magnetic shield

KEK cavity inner magnetic shield (red line)



# Cryomodule Design for TDR-4

4. Assembly of cold components and alignment strategy of cavities and quadrupole package.
5. High pressure regulation
  - Specific requirements of components for the regulation
  - This work should be discussed with the cryogenic group.