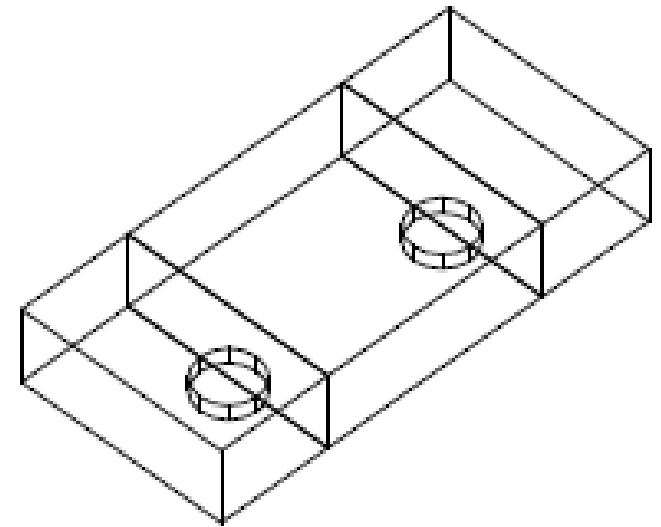
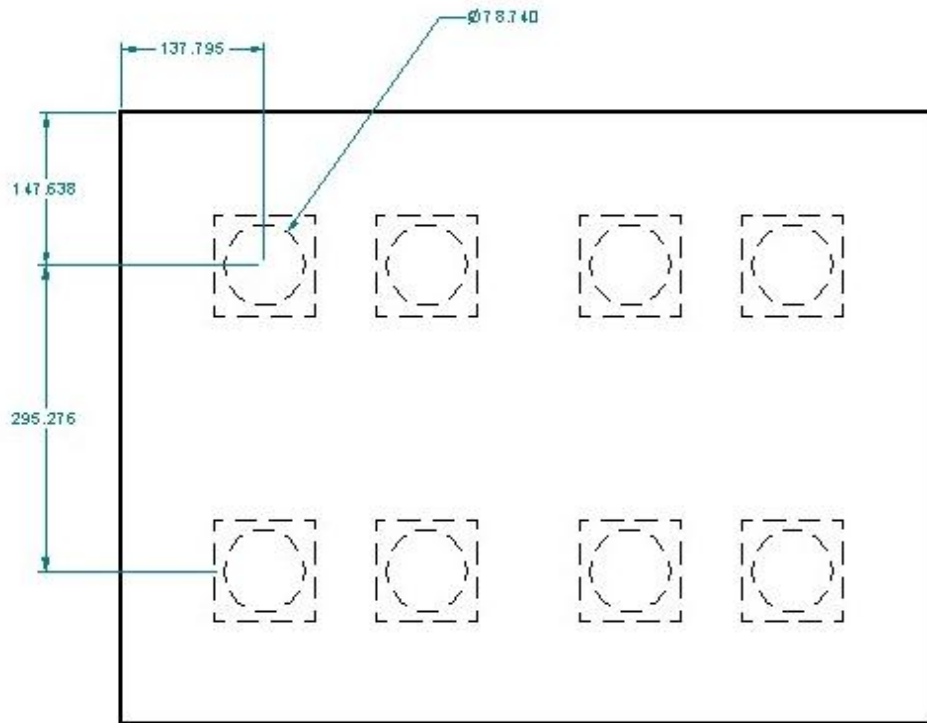
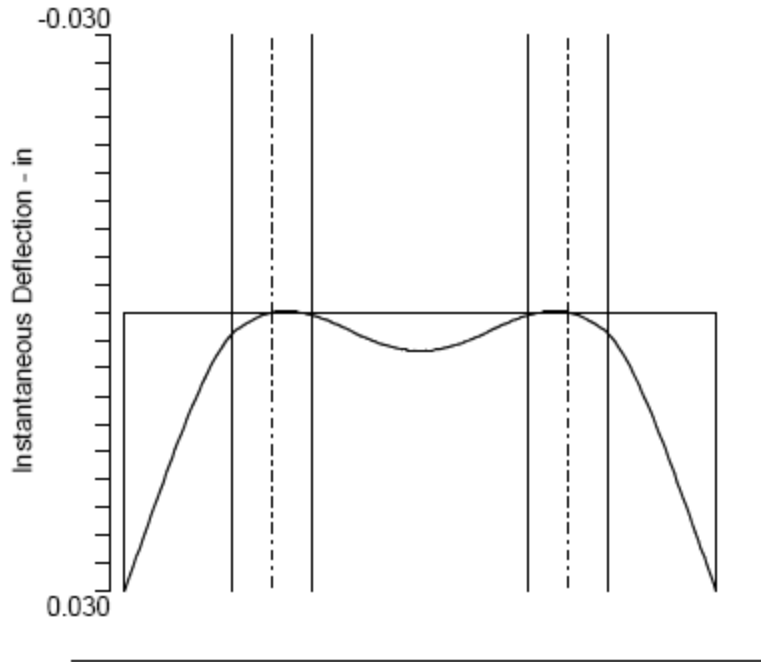


Concrete Platform Design

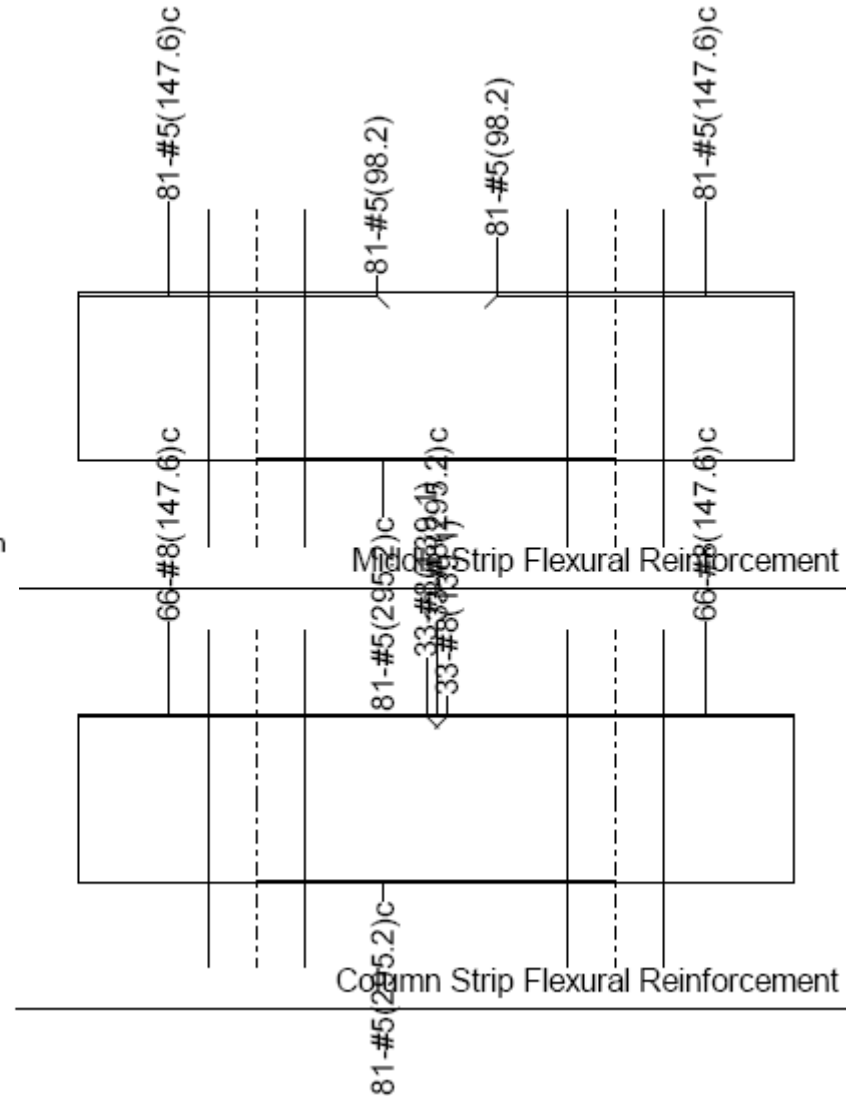
(StructurePoint spSlab)

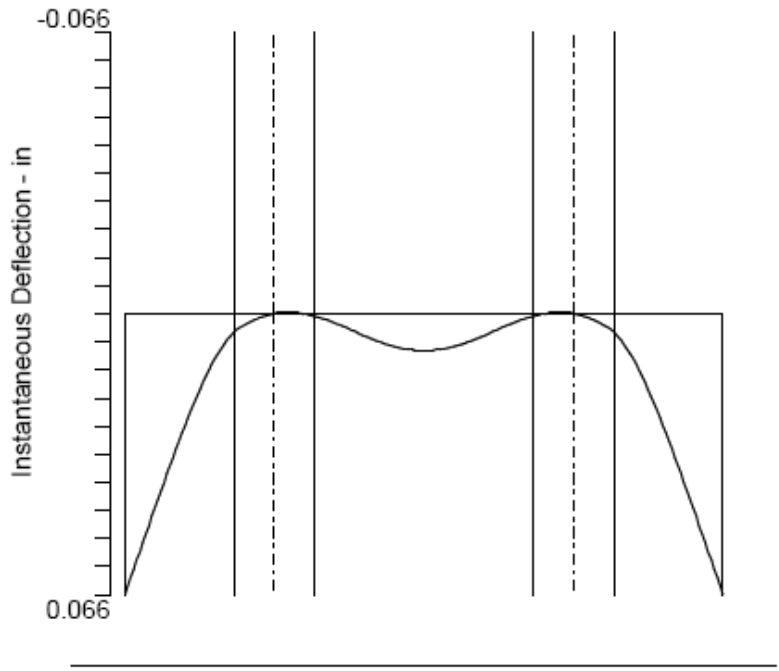


25kT distributed load



LEGEND:
 — Dead Load
 — Live Load
 — Total Deflection





LEGEND:
 — Dead Load
 - - - Live Load
 — Total Deflection

