

Plans for ATF2 IP Feedback

Philip Burrows, Colin Perry

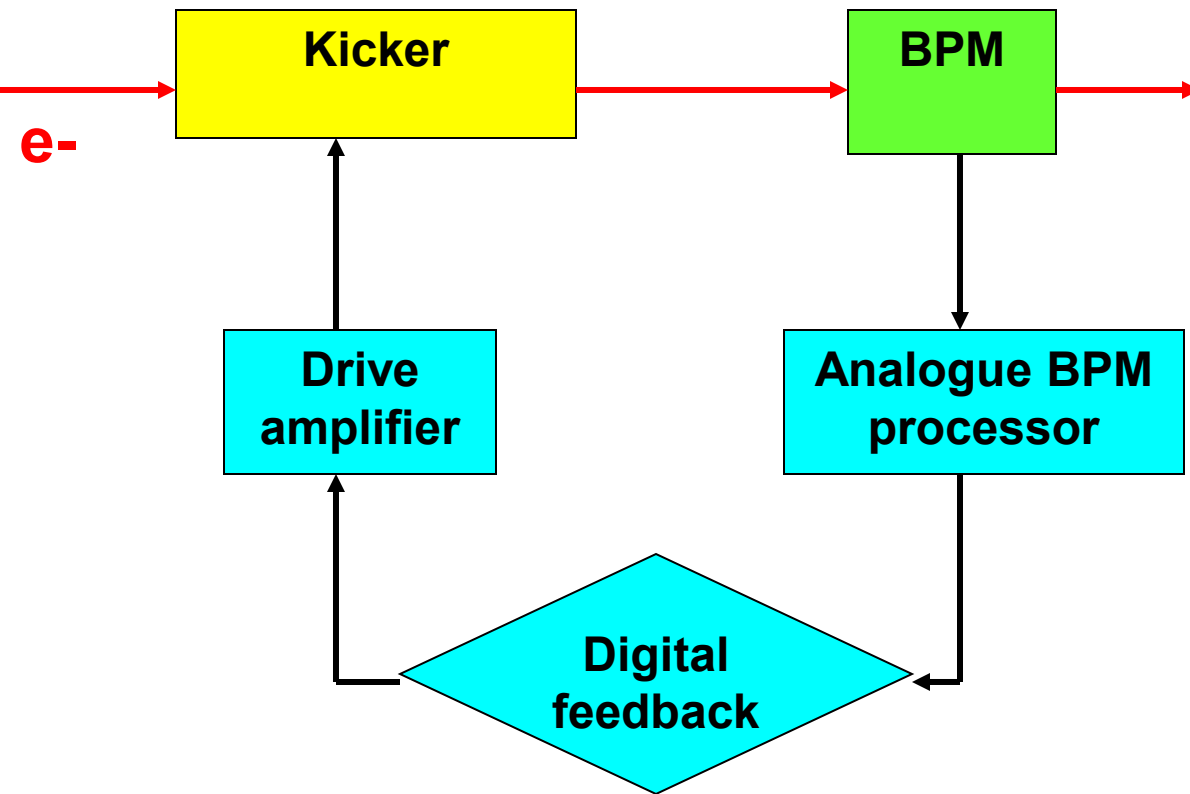
John Adams Institute

Oxford University

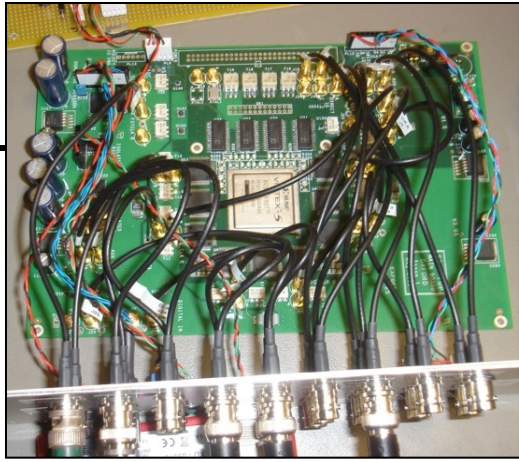
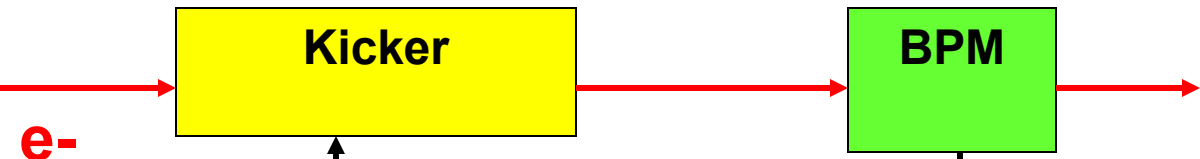
Outline

- **Conceptual system design**
- **General considerations for IPFB system**
- **Working assumptions**
- **Reminder of latency issues**
- **Requirements on BPM signals**
- **Summary**

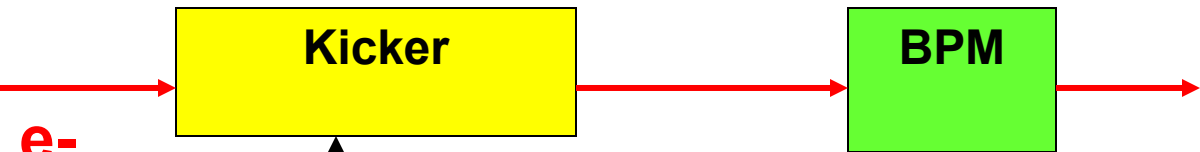
FONT system loop (schematic)



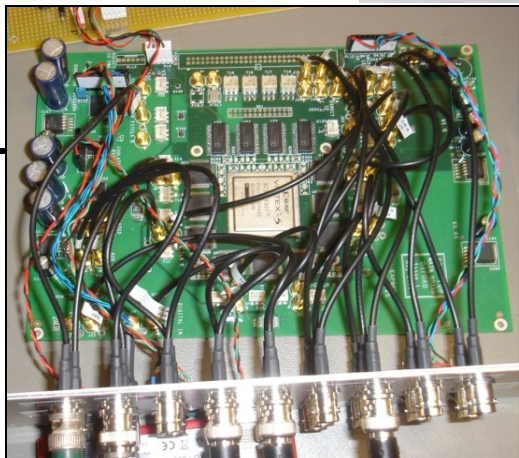
FONT5 system loop (schematic)



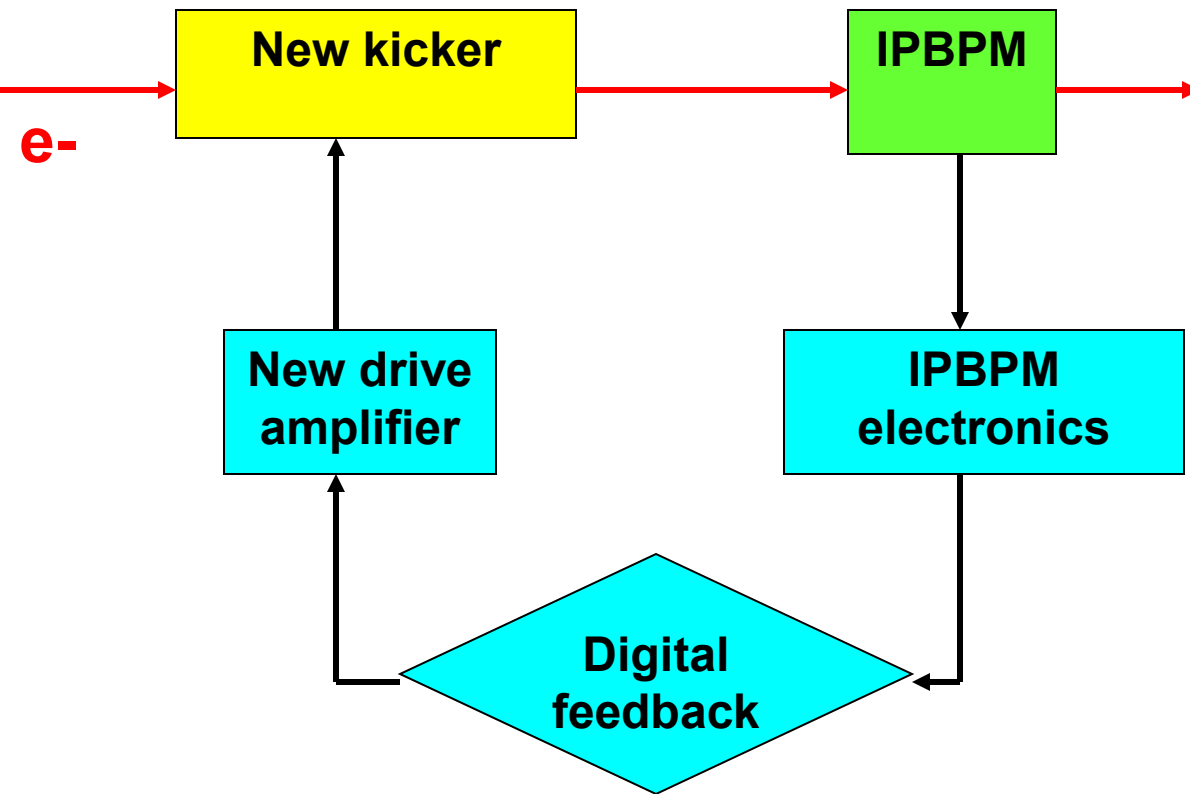
FONT5 system loop (schematic)



There should be no problem (in principle) to build a similar system for operation at the ATF2 IP



IP system loop (schematic)



Major challenge

From our perspective, the feedback should be straightforward!

Biggest challenge will be to obtain a 1-nanometer-level position signal from the IPBPMs, in multi-bunch mode

Current 'world record' is about 8nm in single-bunch mode (Honda-san)

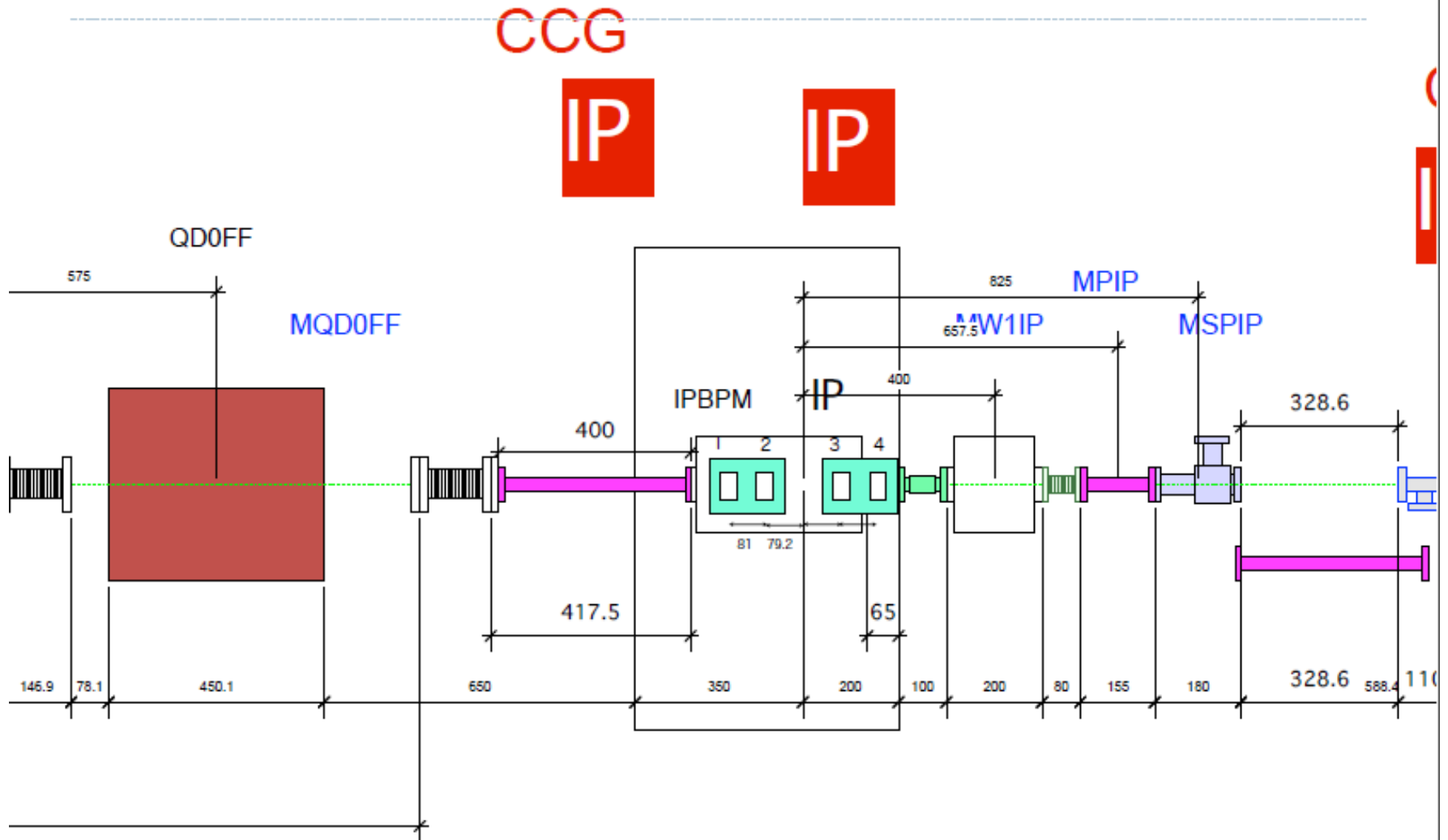
→ see Boogert's + Joshi's talks of yesterday, and next talk from Kim-san

General considerations

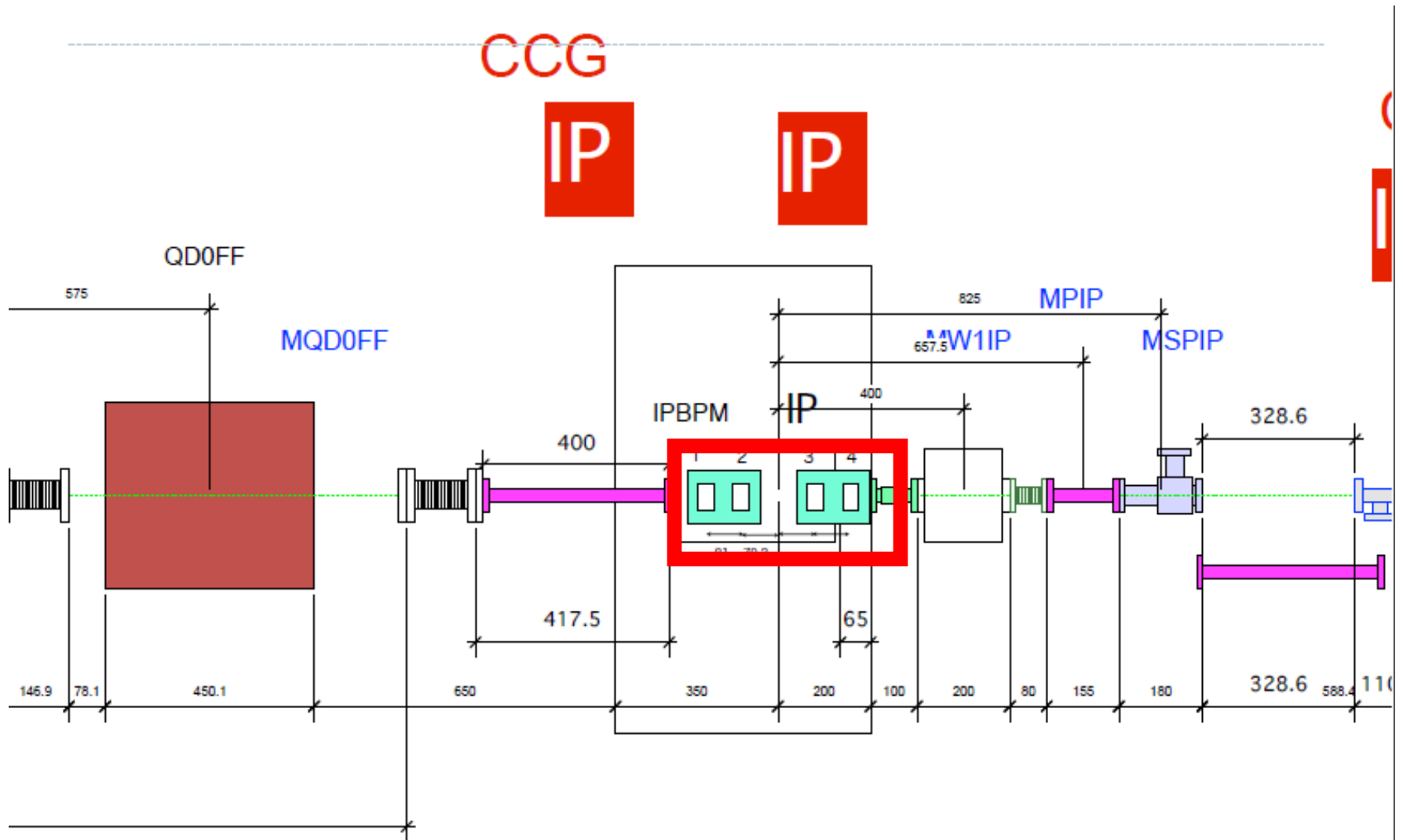
Many details need to be worked out:

- Configuration of IP BPMs
- Location (**lever arm**) and length (**kick**) allowed for kicker
- Kicker aperture (**amplifier power**)
- Dynamic correction range required (**amplifier power**)
- Details of cabling (**latency**):
 IPBPM → IPBPM electronics → FONT
- Output signal of IPBPM electronics (**latency, digitisation**)

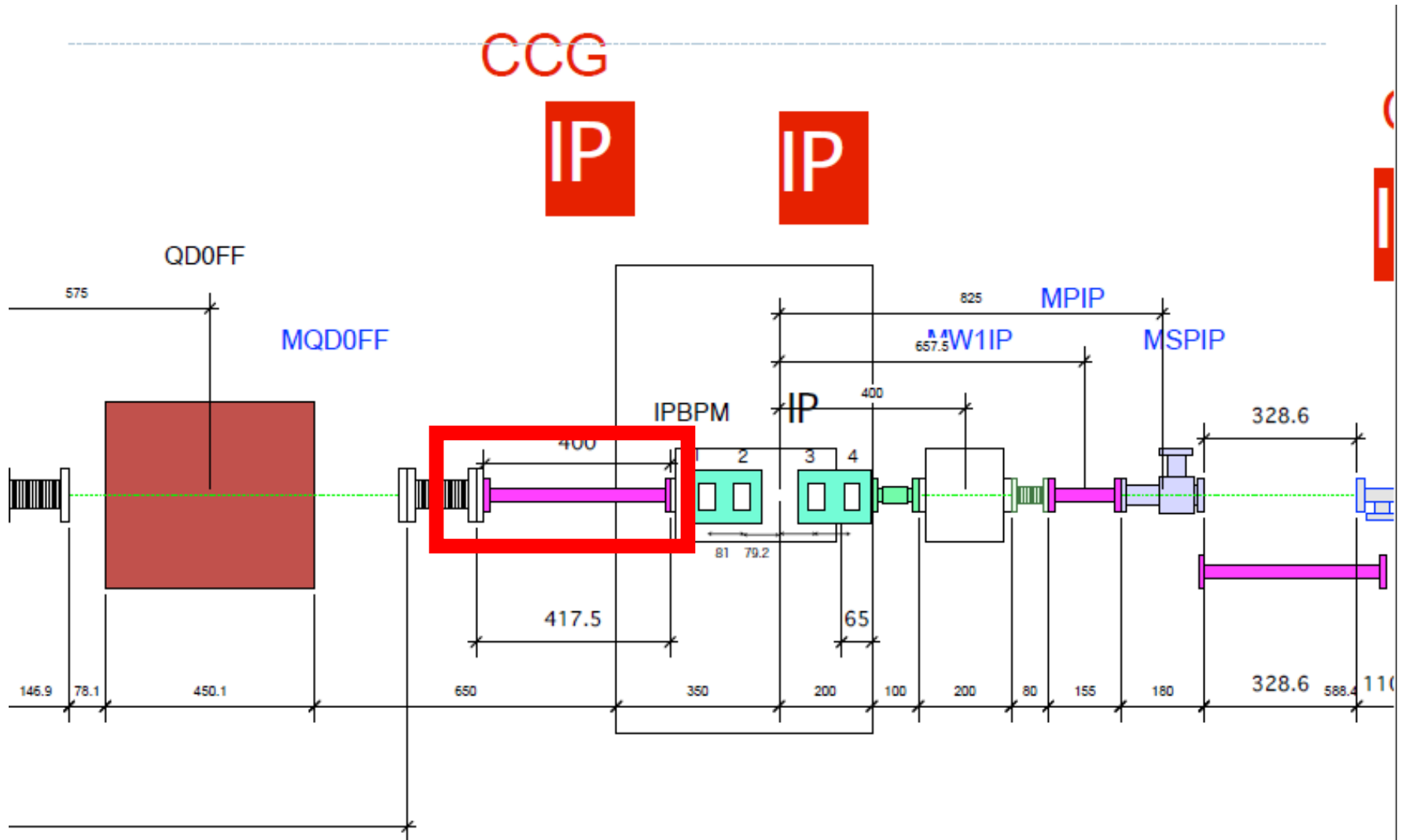
IPBPM configuration



IPBPM configuration



Kicker location



Some working assumptions (1)

- **Kicker centre ~ 0.5m upstream of IPBPM**
- **Kicker aperture 40mm (?)**
- **Kicker length ~ 15 cm (?)**
- **Matched 50 Ohm terminations**

→ Half of current FONT5 sensitivity:

0.5 urad / Amp

(can easily scale from above assumptions)

Some working assumptions (2)

Dynamic correction range:

- **Beam size 37 nm**
- **Beam y jitter ~ beam size (?)**
- **2 sigma correction**
 - **70 nm @ IP = 140 nrad kick**
 - **drive current = 0.15/0.5 ~ 0.3 A (per strip)**

Some working assumptions (3)

Amplifier:

- **Peak power = $0.3^{**2} \times 50 = 5$ W per strip**
 - eg. Minicircuits: 10W, 5 → 500 MHz**
- **Low latency (5 ns)**
- **Output can be pulsed for long bunch train**
- **No margin for kick**

Caveat

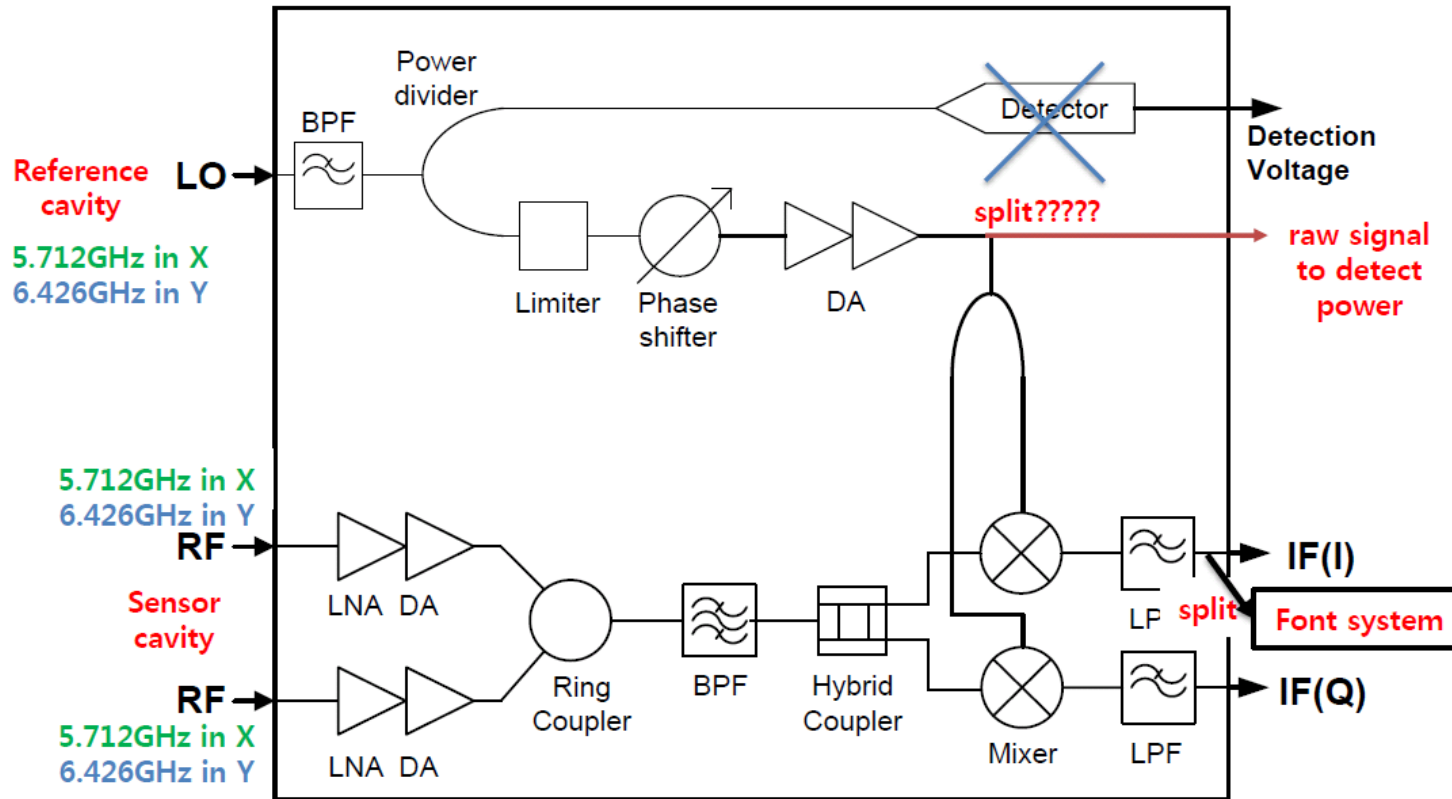
If the IP beam size, and hence the beam jitter, were significantly larger, the amplifier power requirements would be more serious, and the latency correspondingly longer ...

Present FONT amplifier provides 30 urad kick and takes 35ns to do so!

IPBPM electronics

(Aeyoung Heo)

1. Improved conversion gain
2. Low Noise Figure
3. Narrow Bandwidth
4. Latency: less than 20ns

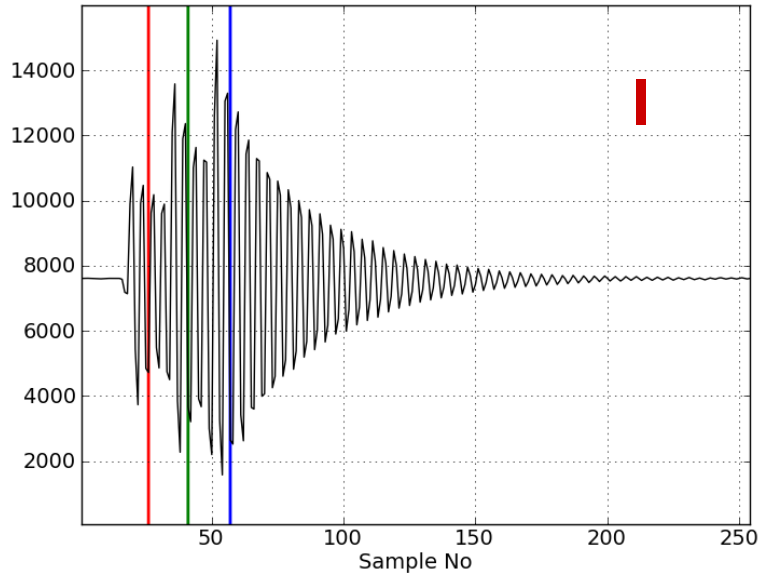


Digitisation of IPBM signal

- **Digitise I and Q signals**
- **Derive amplitude and phase**
 - **charge-independent position signal**
- **FONT5 ADCs (TI ADS5474) clocked at 357 MHz**
- **Very high bandwidth sample point**
- **Sample time adjustment sensitivity c. 100ps**

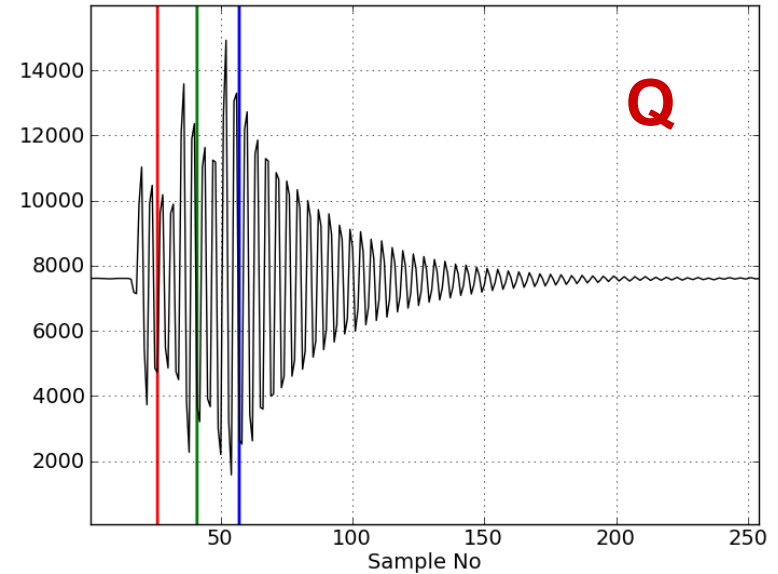
FONT Digitisation

Digitised signal from multi-barrier



$$I(n) = \frac{A_{BPM}}{A_{REF}} \cos(\phi_{BPM} - \phi_{REF})$$

Digitised signal from multi-barrier



$$Q(n) = \frac{A_{BPM}}{A_{REF}} \sin(\phi_{BPM} - \phi_{REF})$$

Joshi

Digitisation of IPBM signal

- **Digitise I and Q signals**
- **Derive amplitude and phase**
 - **charge-independent position signal**
- **FONT5 ADCs (TI ADS5474) clocked at 357 MHz**
- **Very high bandwidth sample point**
- **Sample time adjustment sensitivity c. 100ps**
- **Up- and downstream IPBPM signals needed**

Latency estimate

• Amplifier (as described)	5ns
• Kicker fill (15cm)	0.5ns
• Beam flight time amplifier → IPBPM	2ns
• Cables (3 x 1.5m?)	23ns
• IPBPM electronics	40ns?
• Digital processing	60ns
Total	131ns

IPBPM signal requirements

- **Prefer 'baseband' signal**
could deal with up to 100 MHz
- **Ideally I, Q signal levels ~ 100 mV**
could deal with almost any power levels (by amplification)
- **Met with Kim-san at KEK Dec 2010**

Summary

- **Conceptual design for IP FB system**
- **System parameters look feasible**
- **Critical parameters:**
 - dynamic correction range, bunch spacing**
- **Digitisation of IPBPM I and Q signals is easiest approach**
- **Technical details need to be finalised:**
 - locations of BPM + kicker, kicker aperture, cable runs ...**

Postscript 1

- **Intra-train beam feedback requires extremely high degree of spatial correlation between the bunches**
- **With the current ATF2 setup (existing kicker system and 3 bunches) we occasionally see good correlations, usually after a lot of tuning**
 - see my talk of yesterday
- **May be better off extracting just 2 bunches?**

Postscript 2

- **The hard part of the IPFB is achieving nanometer position resolution with the KNU BPM electronics ...**