

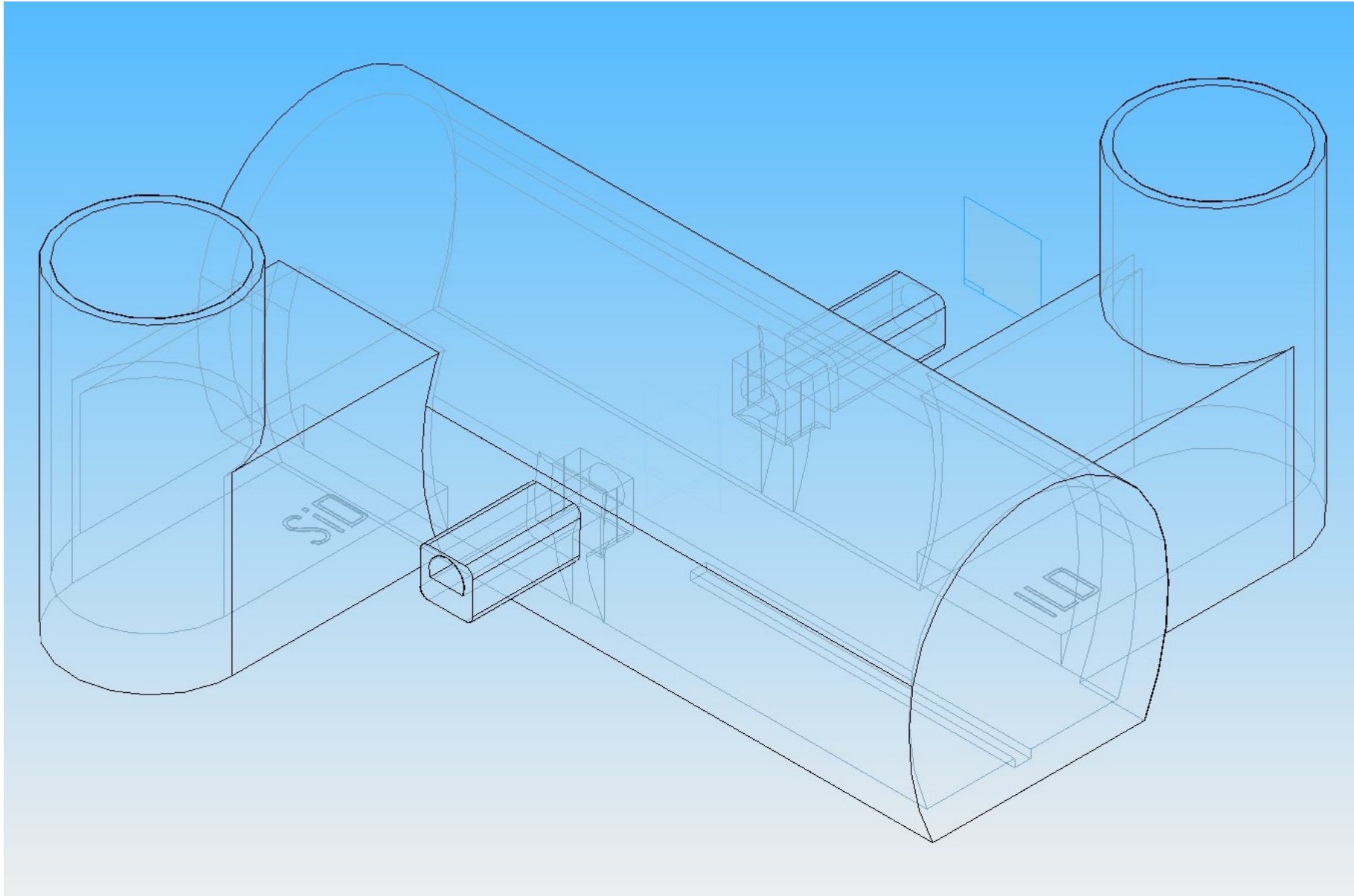
# **ILC MDI IR Cavern Layout Studies**

**John Amann**

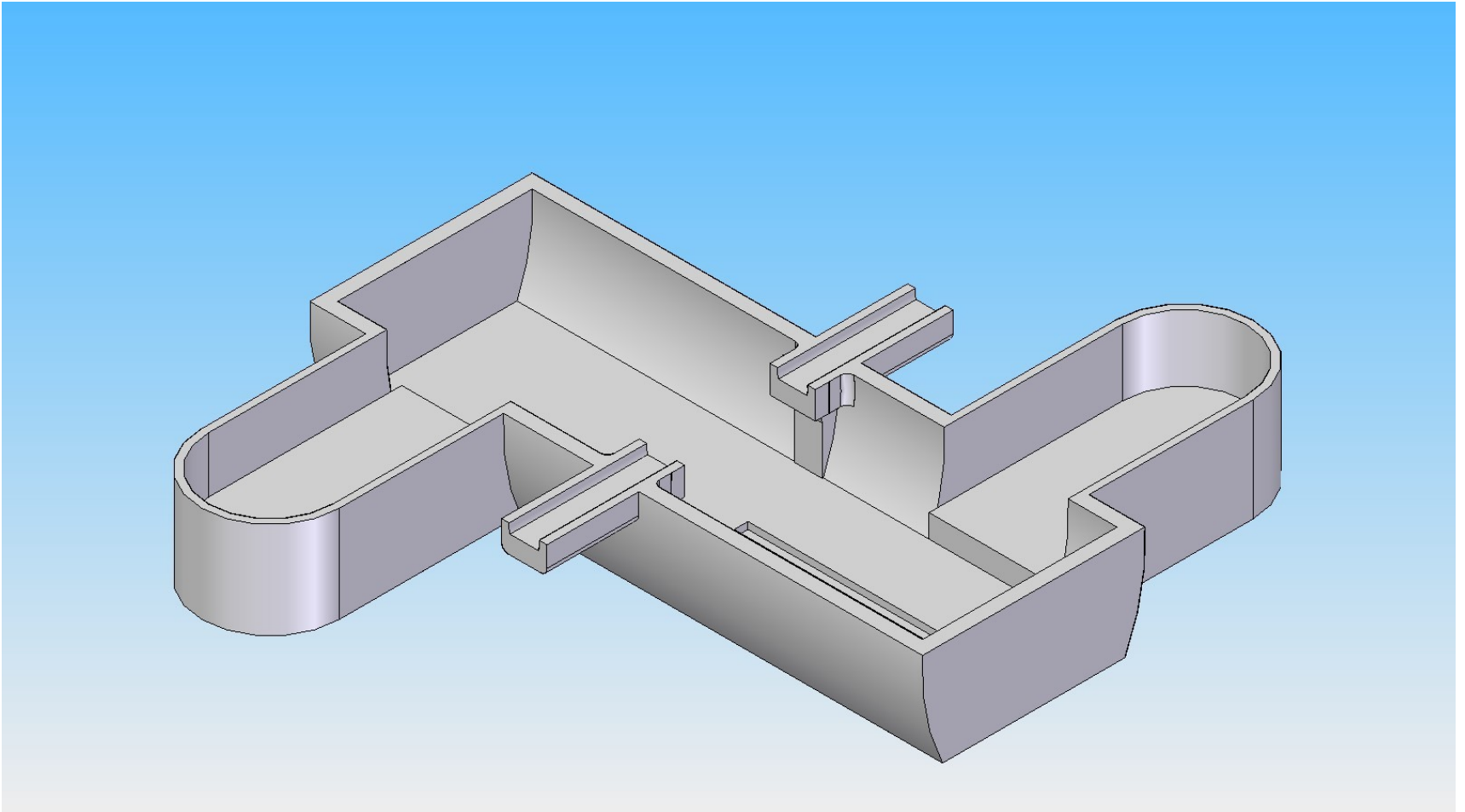
**SLAC ILC MDI Group**

**1/13/11**

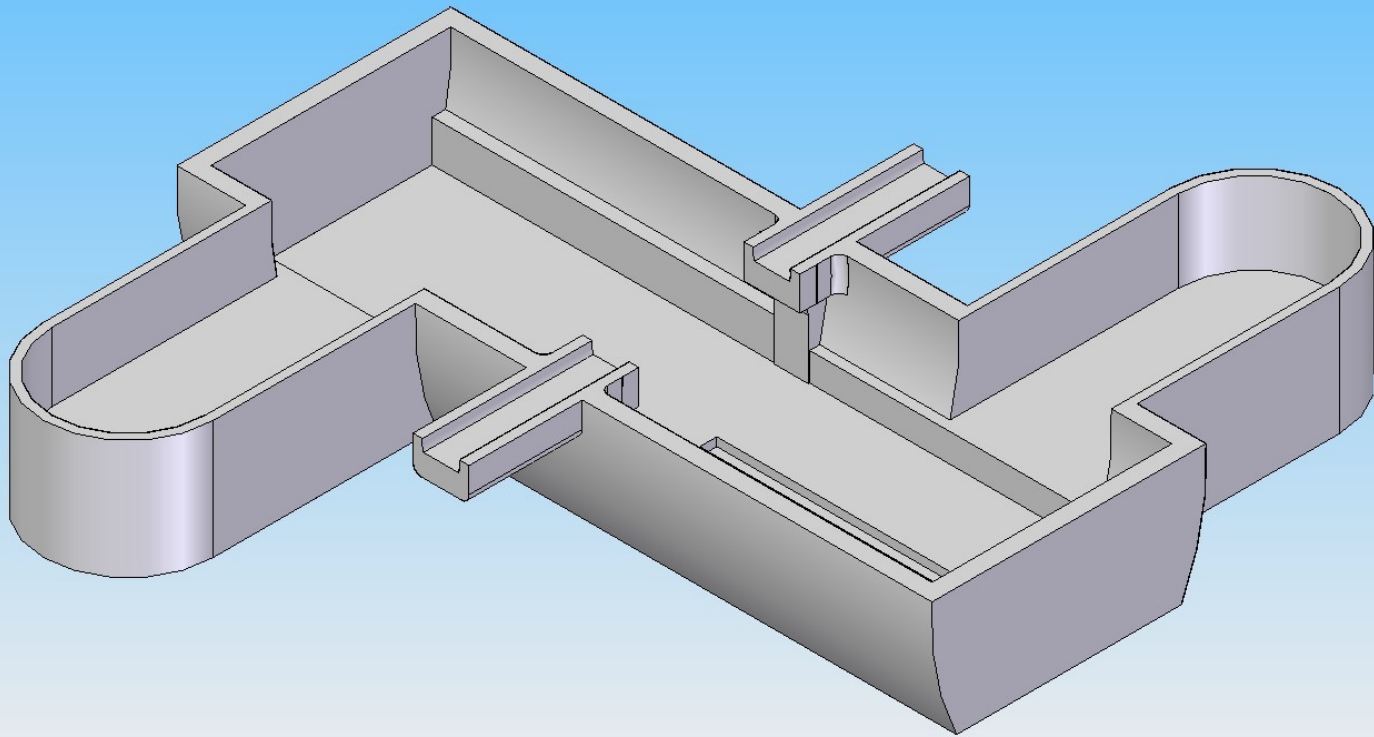
# CERN Site IR Cavern



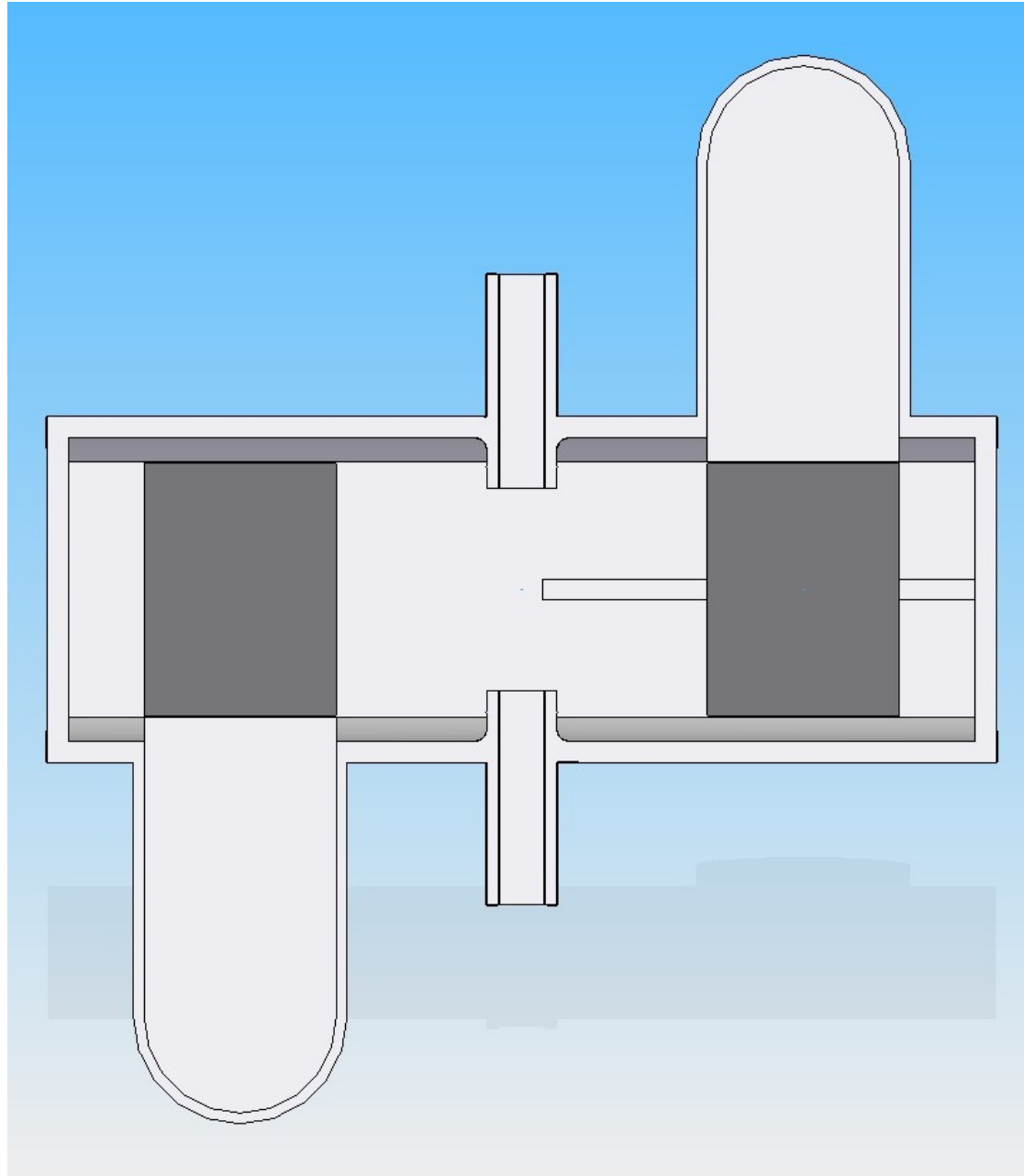
# IR Cutaway Partial Ledges



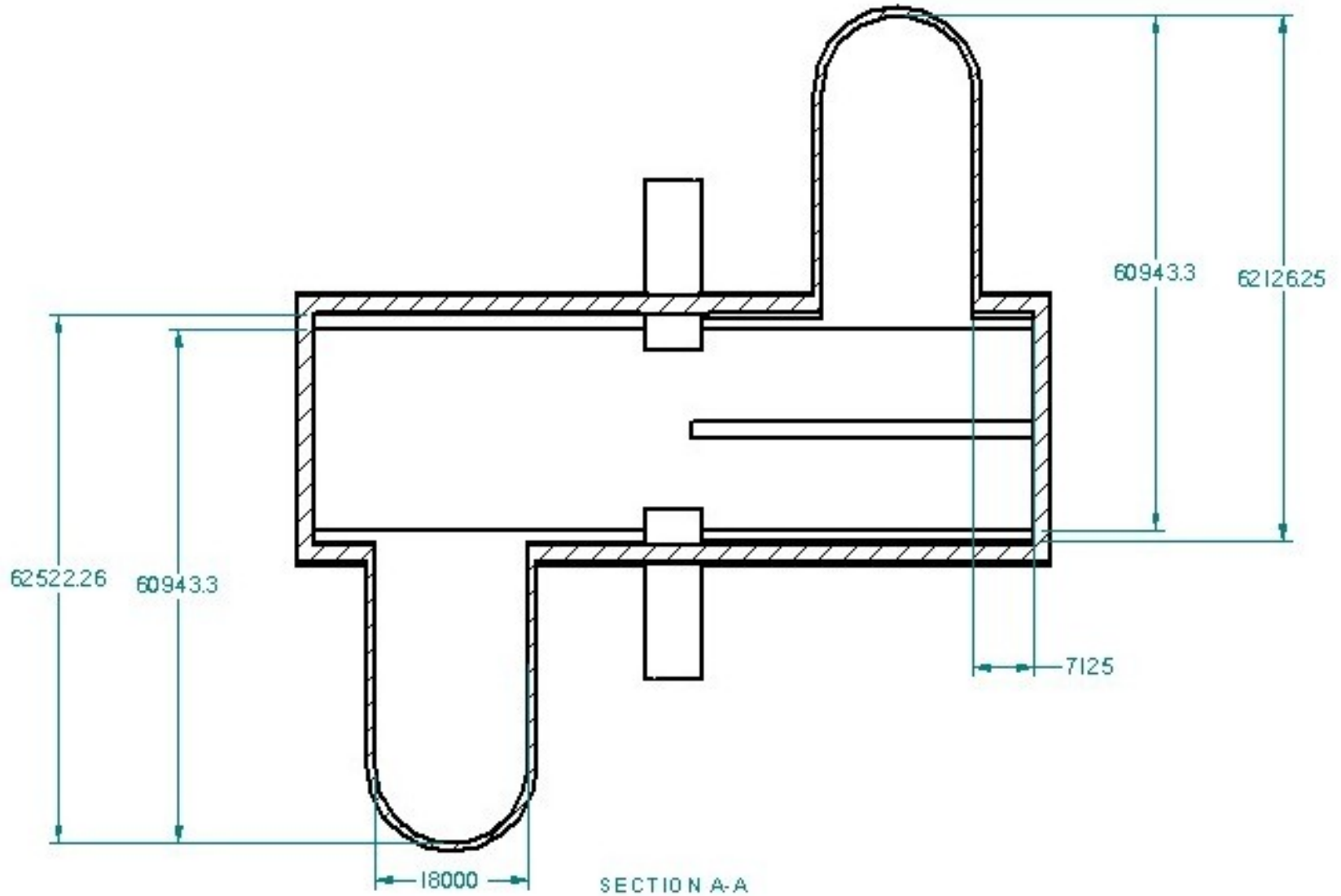
# IR Cutaway Full Ledges



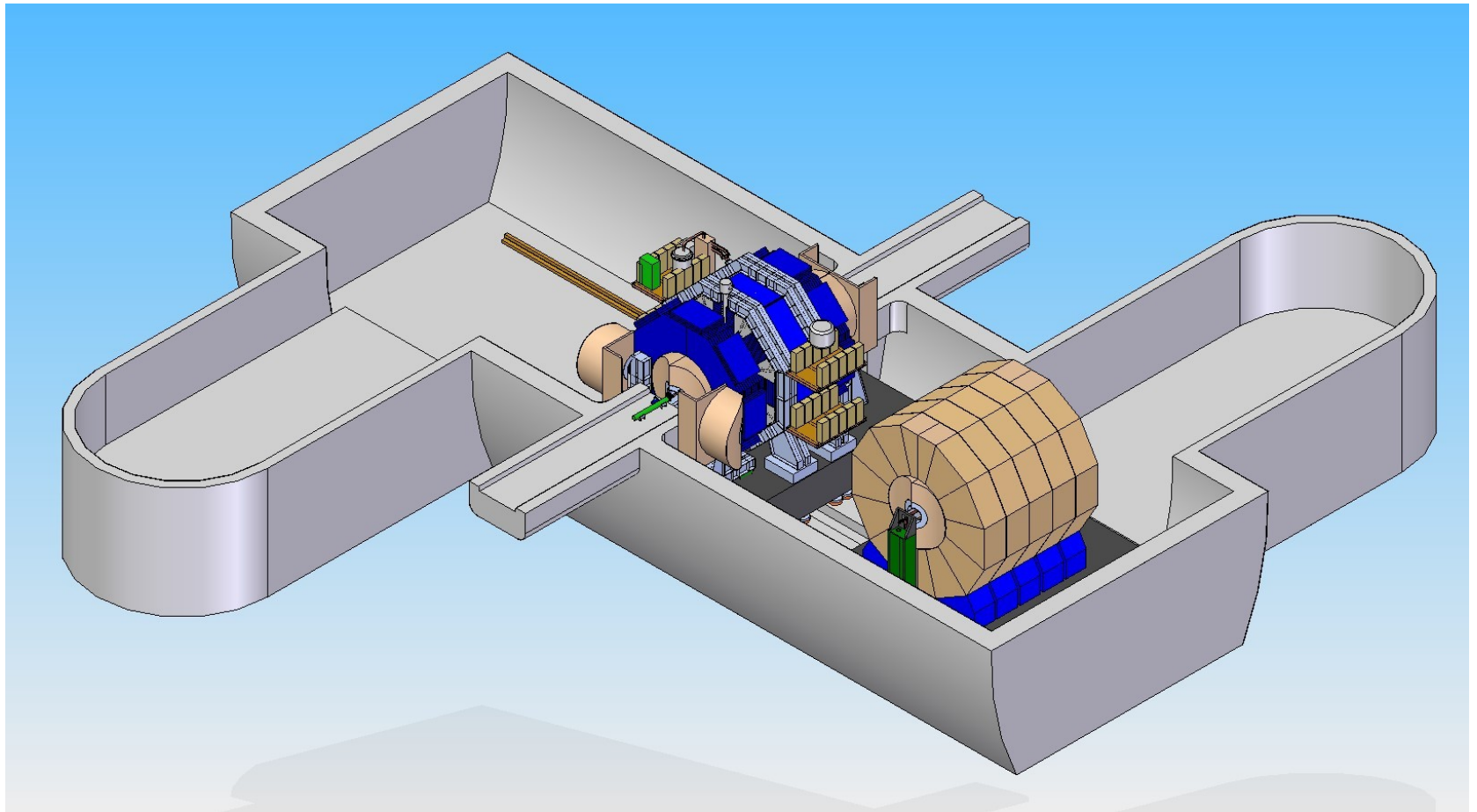
# IR Cutaway Partial Ledges Platforms Only



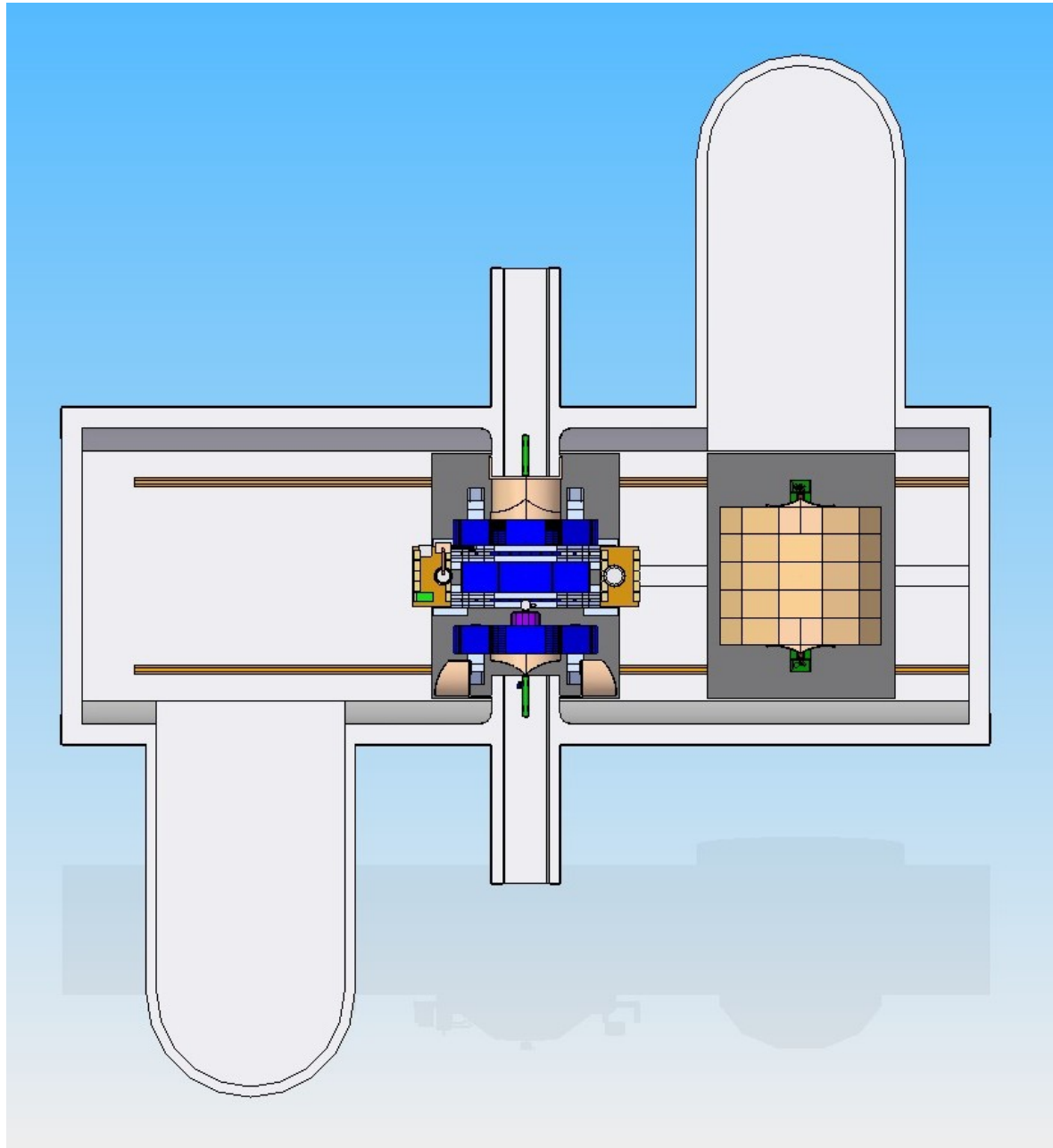
# Assembly Area Dimensions



# SiD Beamline - ILD Parked

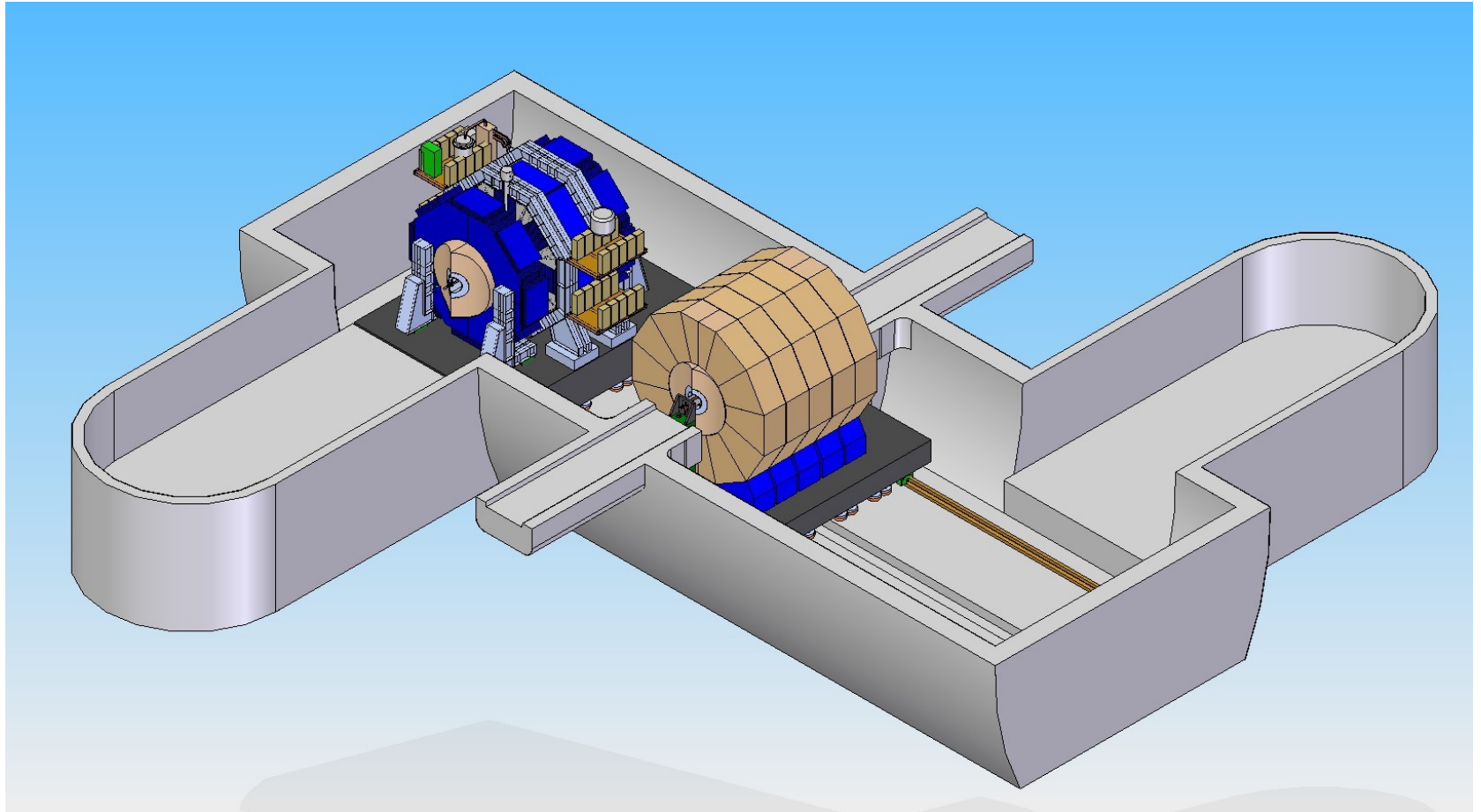


# SiD Beamline - ILD Parked

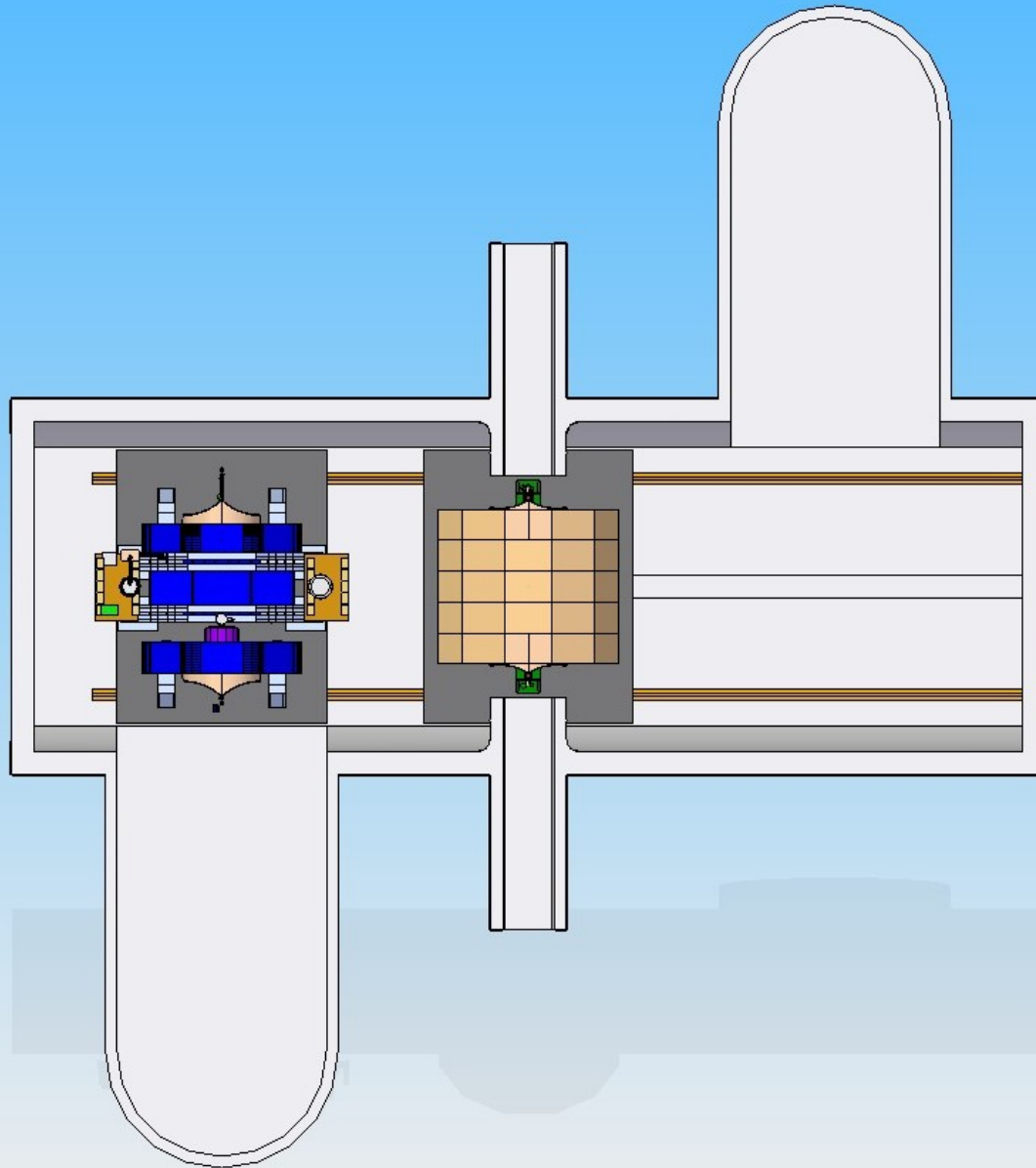




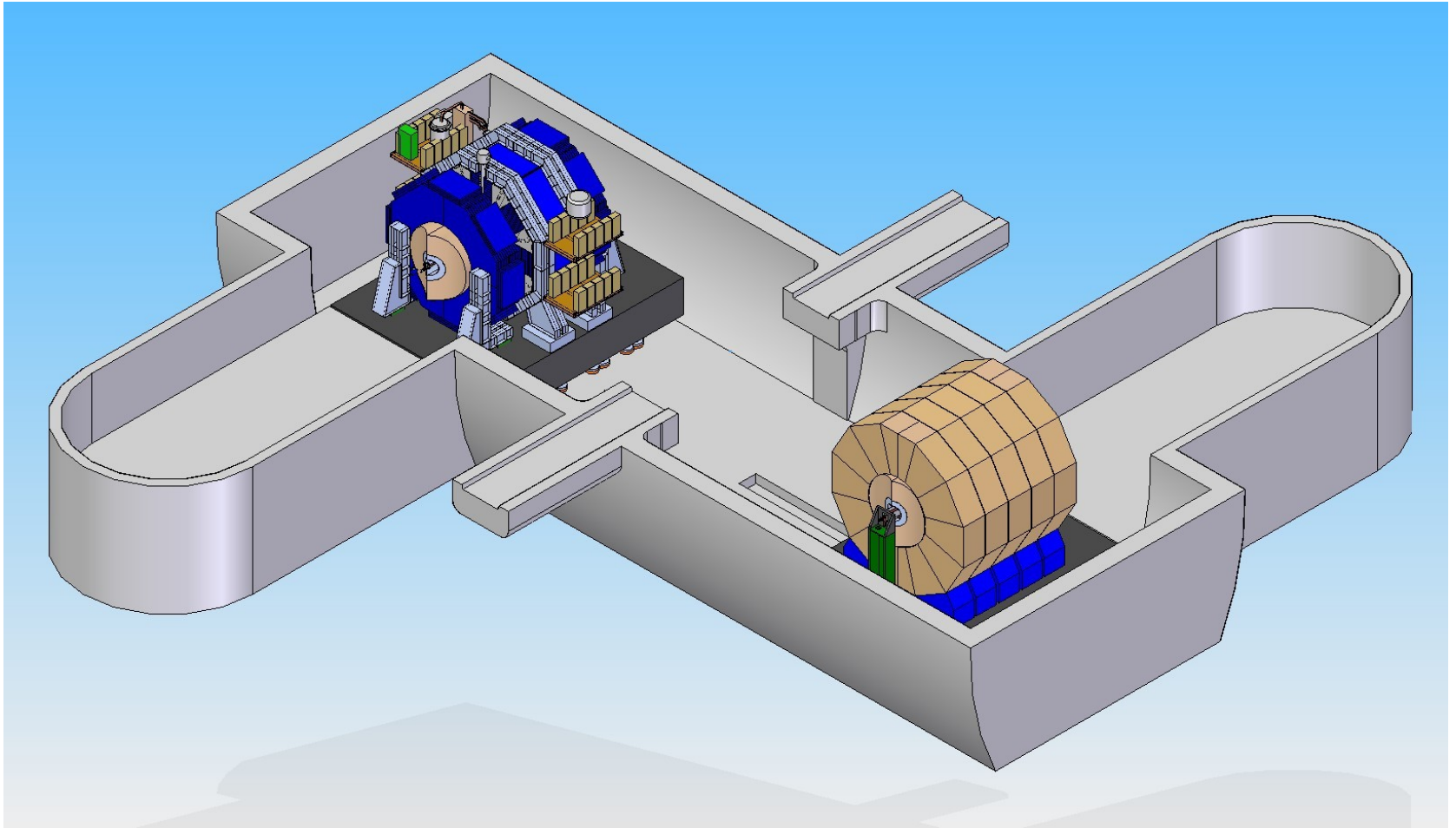
# SiD Parked - ILD Beamline



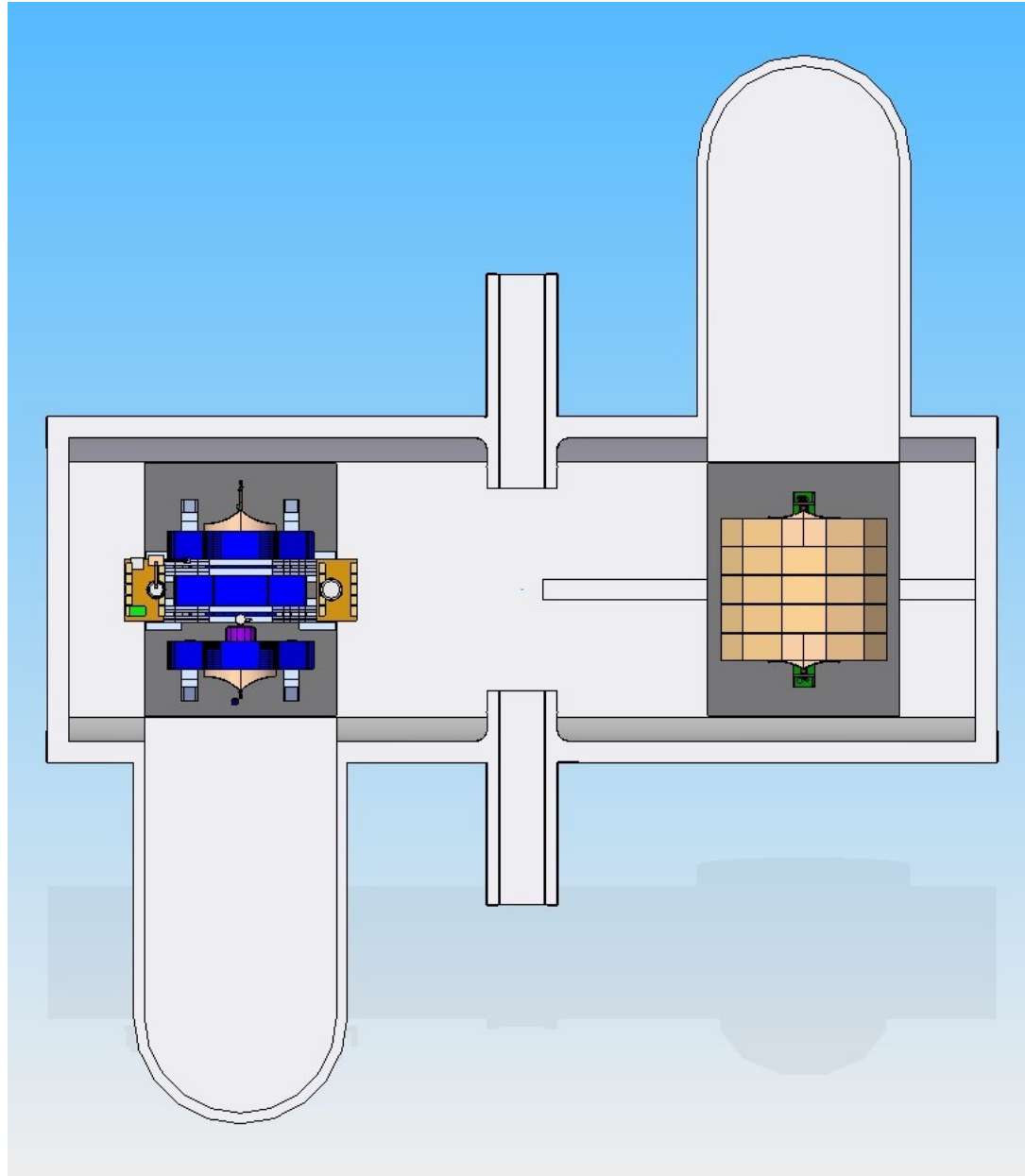
# SiD Parked - ILD Beamline



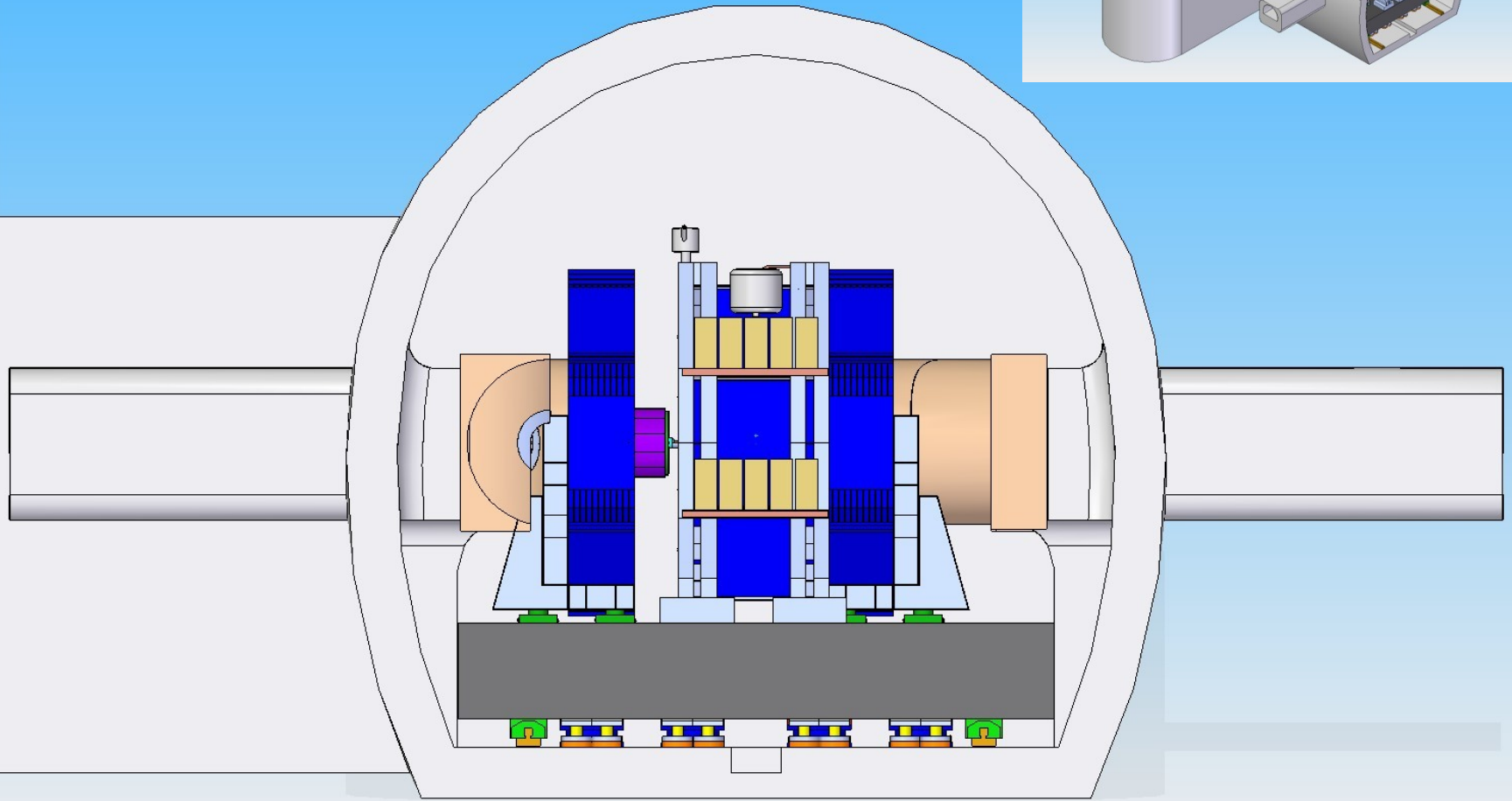
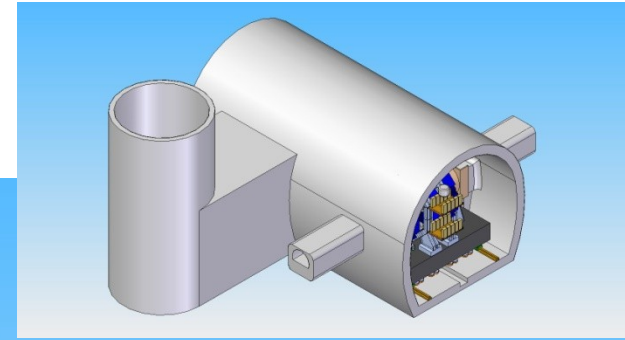
# SiD Parked - ILD Parked



# SiD Parked - ILD Parked



# SiD Section View



# SiD Section View

