

SDHCAL SERVICES INTEGRATION

François Davin

Université Catholique de Louvain

Needed Connections

- ▣ 3x HDMI
- ▣ 1x High Voltage SHC
- ▣ 1x Low Voltage power supply for DIF's
- ▣ GAS : In & Out

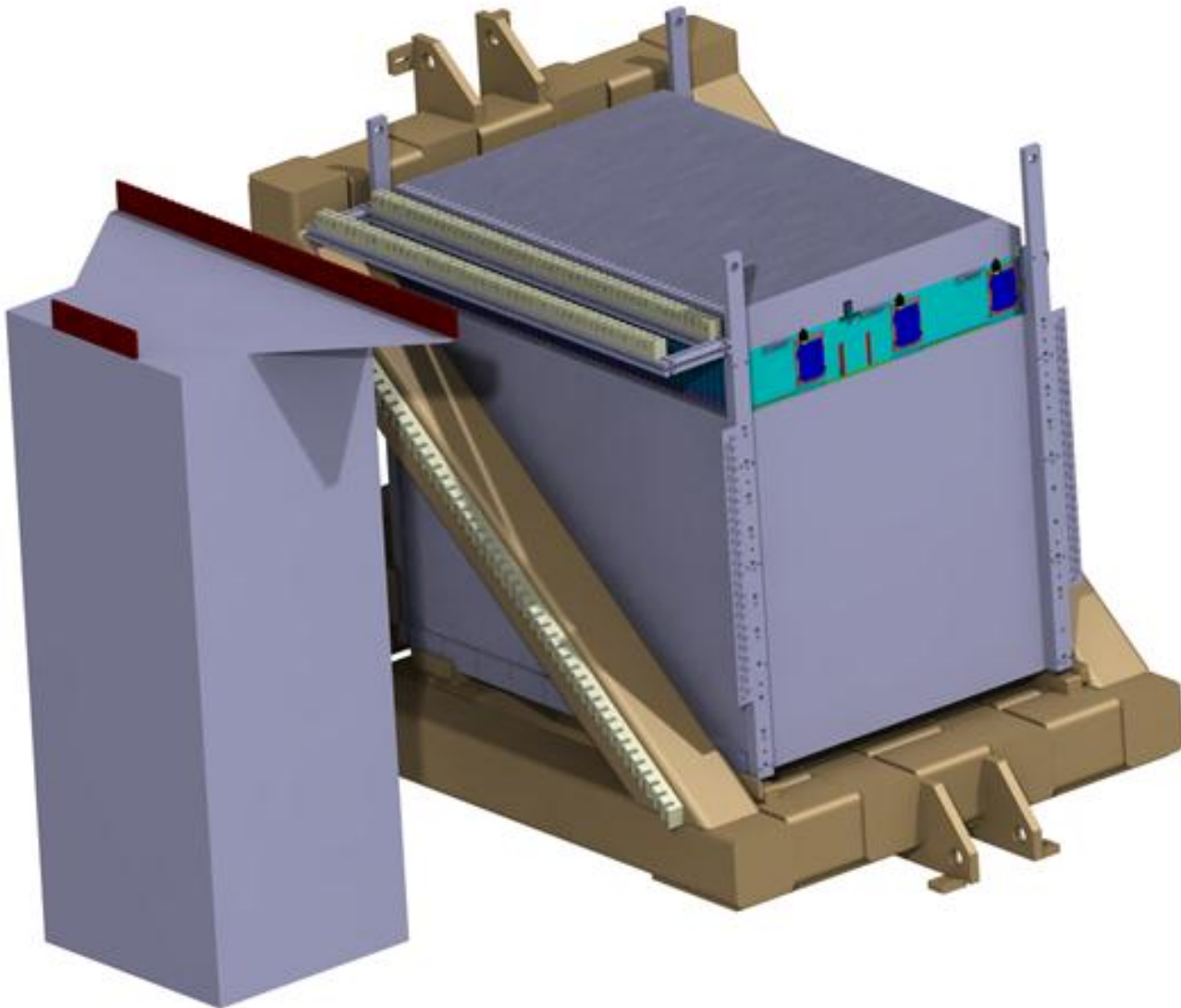
Space between cassettes : 28 mm

Lemo and Altera connections on the cassette will be only used for debugging.

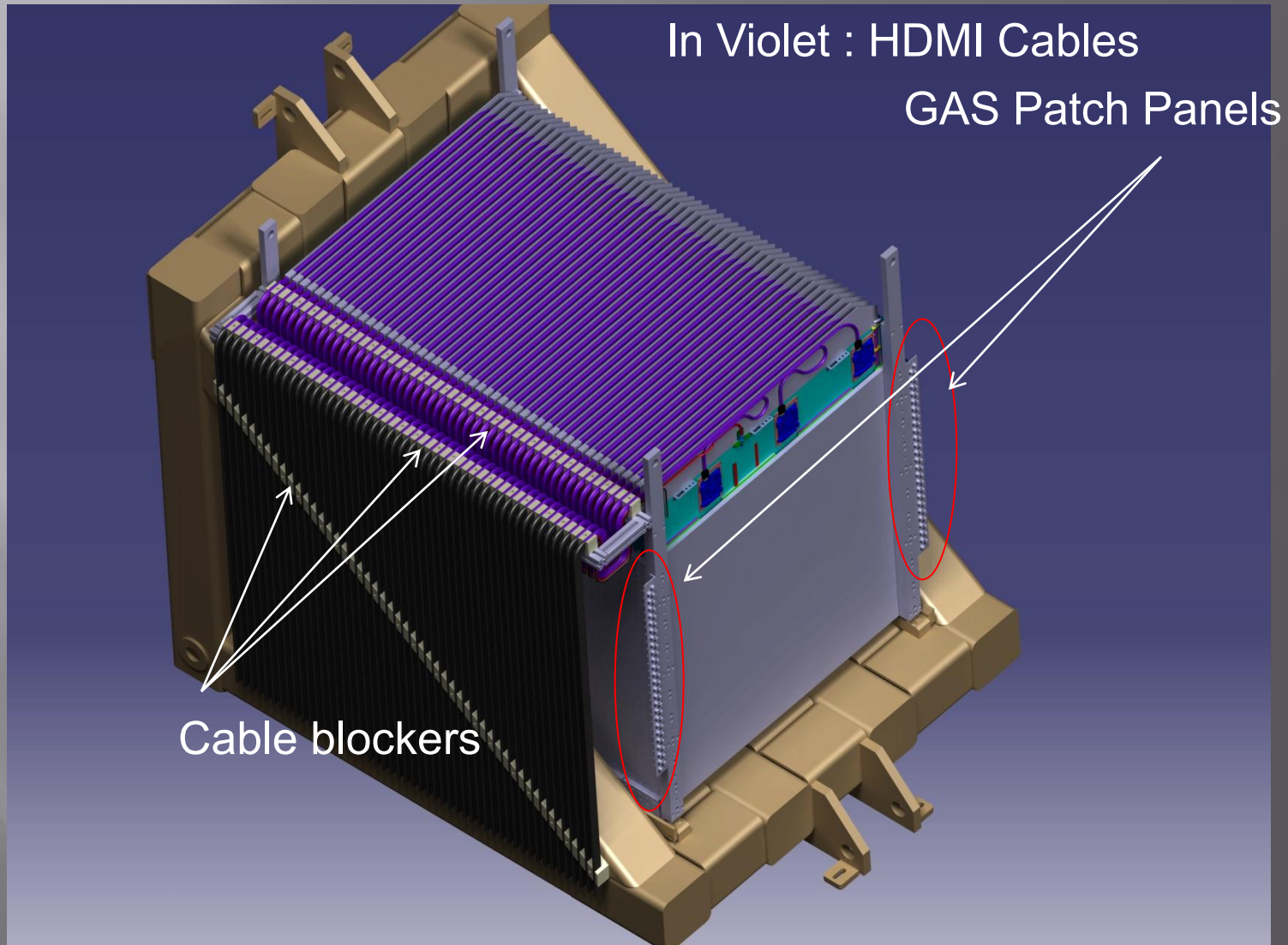
Constraints

- ▣ Must work in beam position as well as in cosmic position.
- ▣ Cassettes must be easily taken out from the detector in beam position.

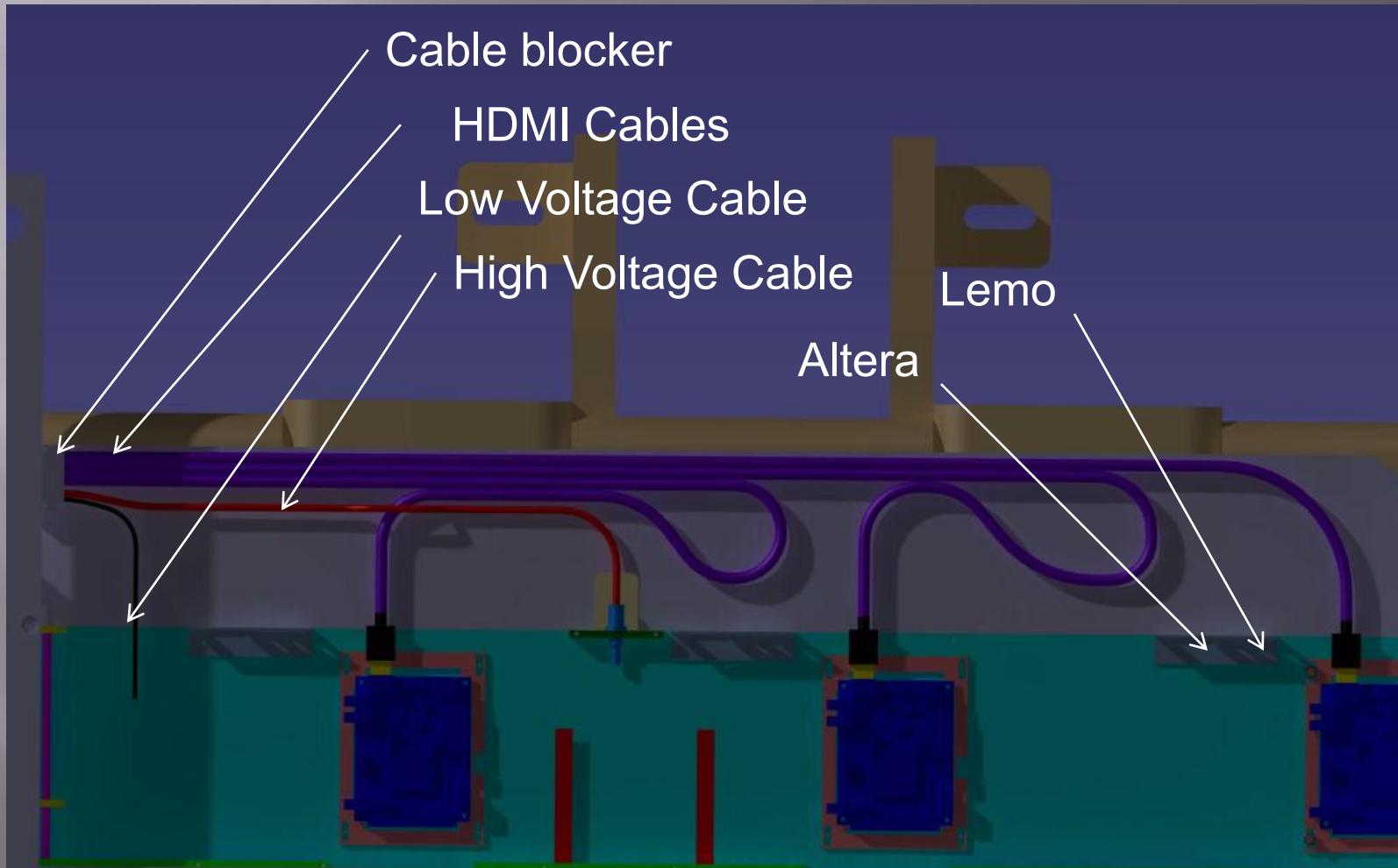
General Idea



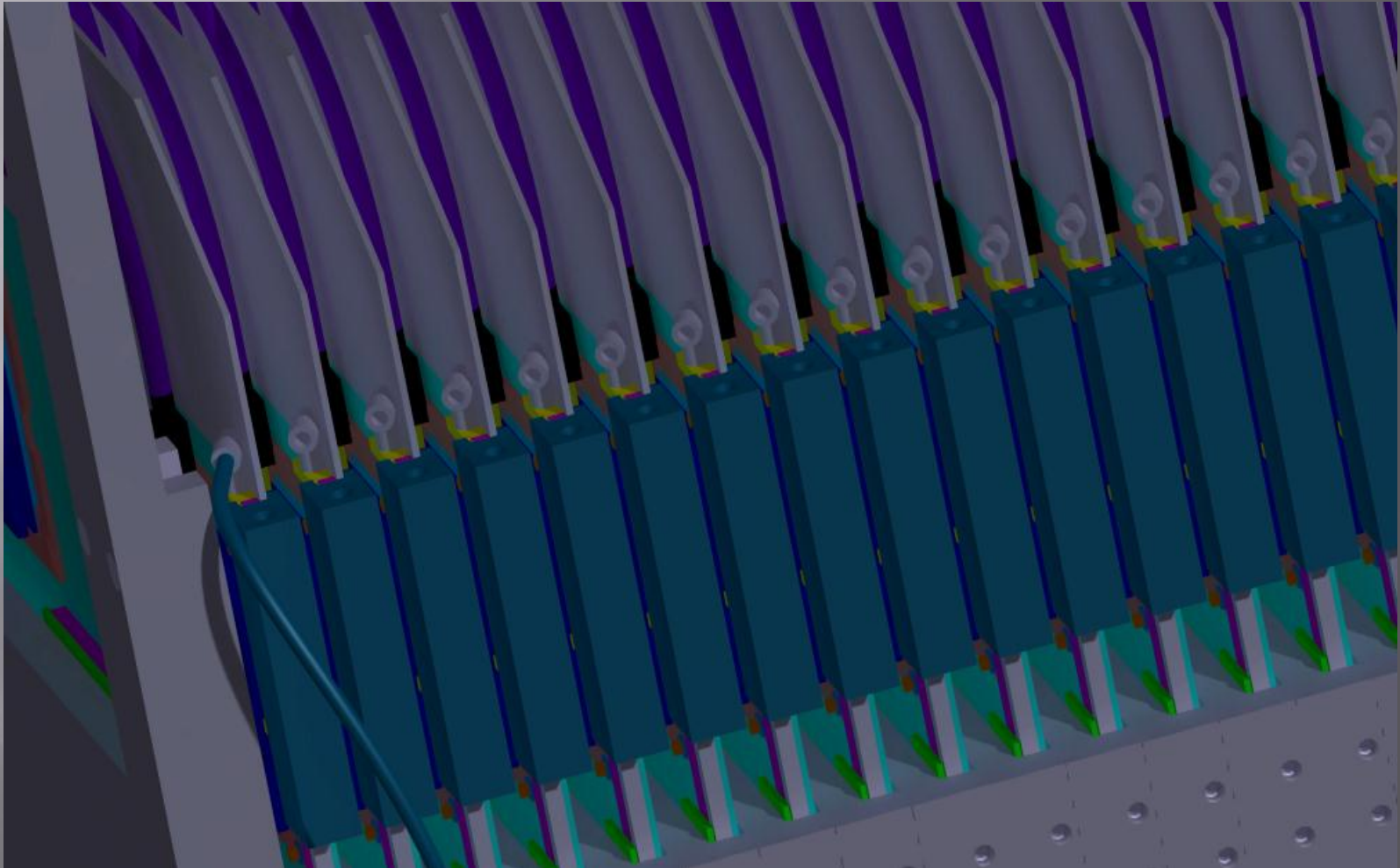
On the detector



Cable disposition on the cassette

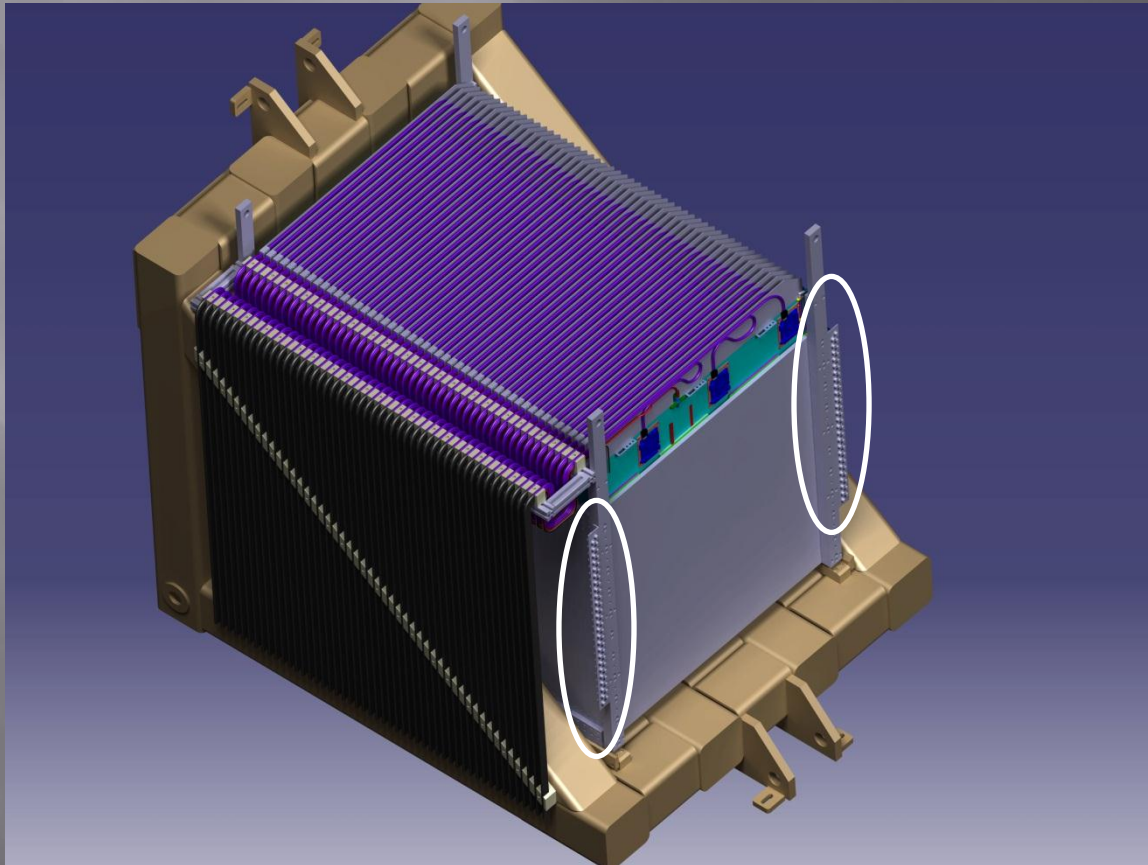


GAS Connections

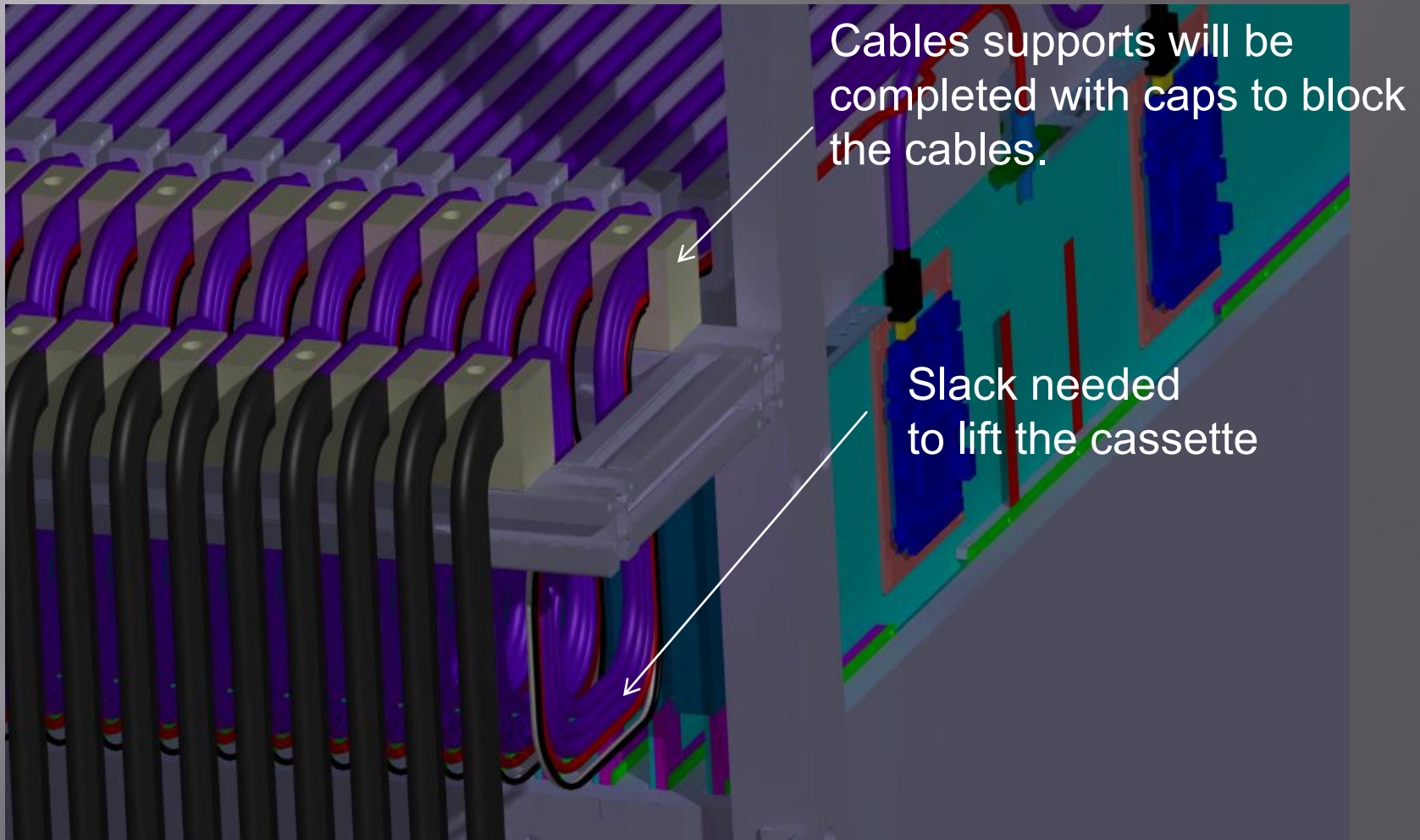


GAS Supply

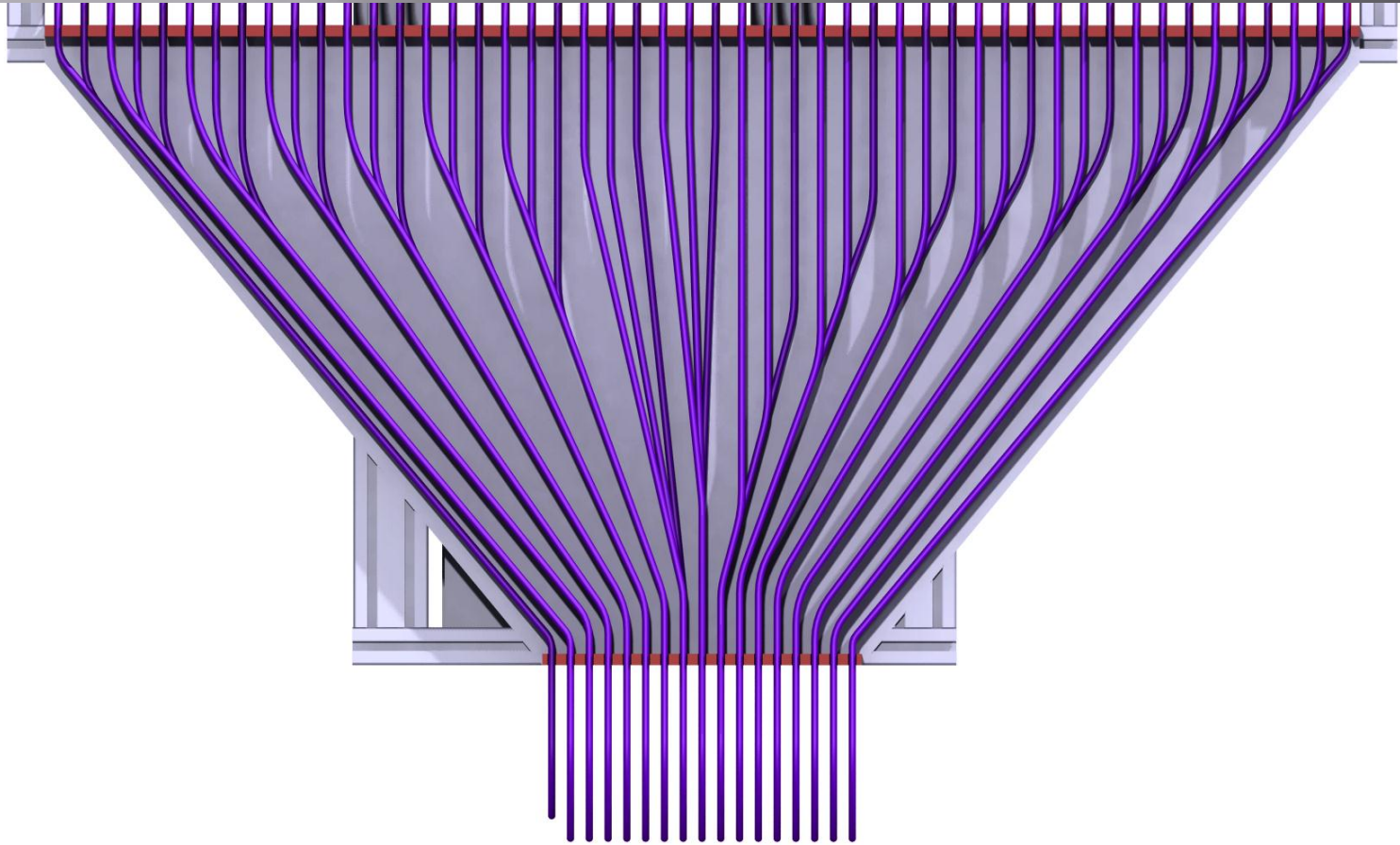
- ▣ 2 Pipes for each cassette
- ▣ 2 Patch panels, in & out



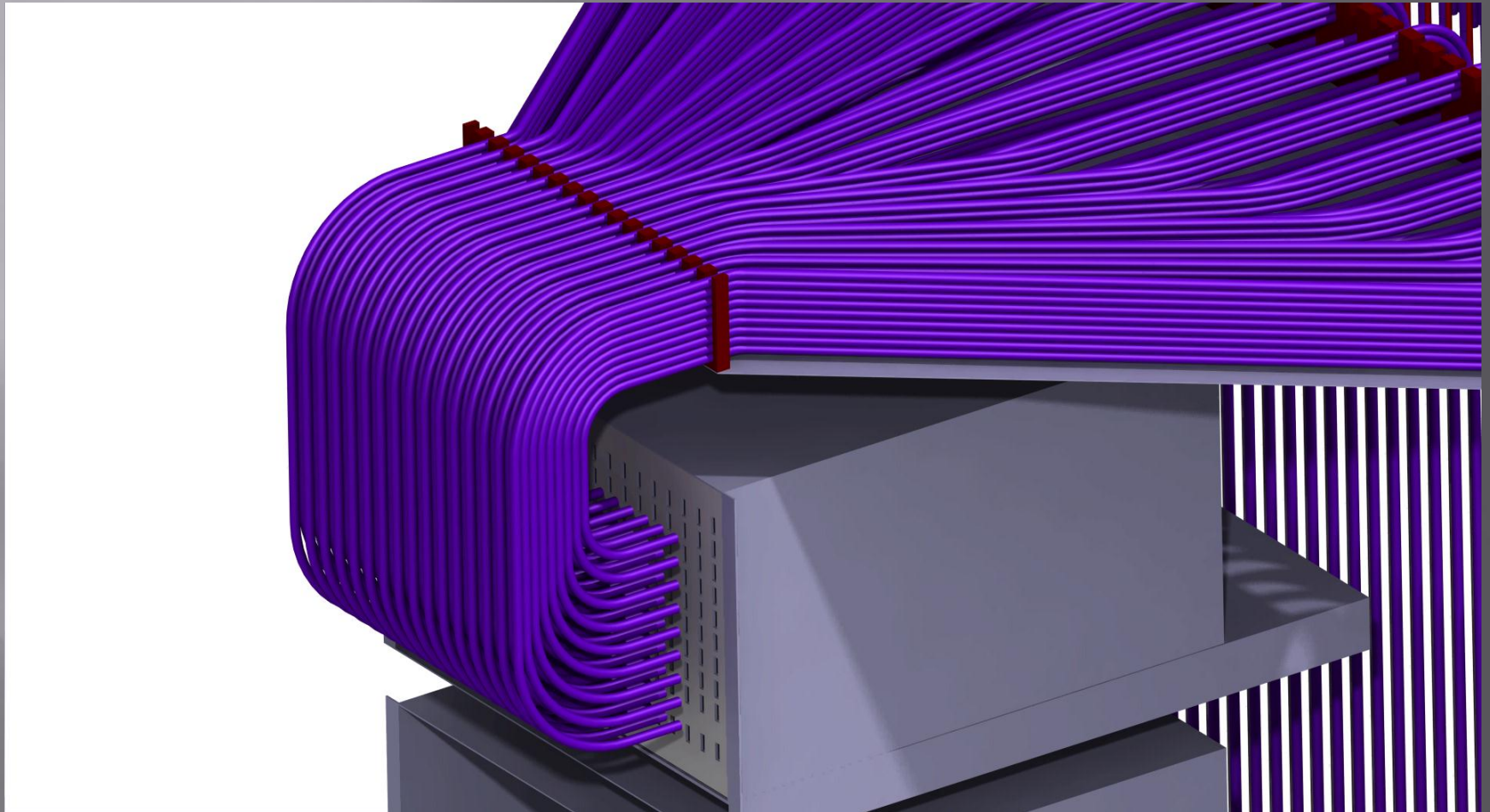
Cable Supports



Cable Repartition



DCC Crate



Tech data for 50 cassettes

- ▣ 150x 5m HDMI Cables
- ▣ 50x 4m HV Cables
- ▣ 50x 4m LV Cables
- ▣ 100x Gas plastic tube (probably polyamide)
- ▣ 100x 90° connector for gas
- ▣ 100x straight trough hole connectors for gas
- ▣ 200m Fire retardant sleeving

Schedule

- ▣ Design completion : end of february
- ▣ All parts should be made for mid april.

All cable supports and structures will be made by the UCL workshop.