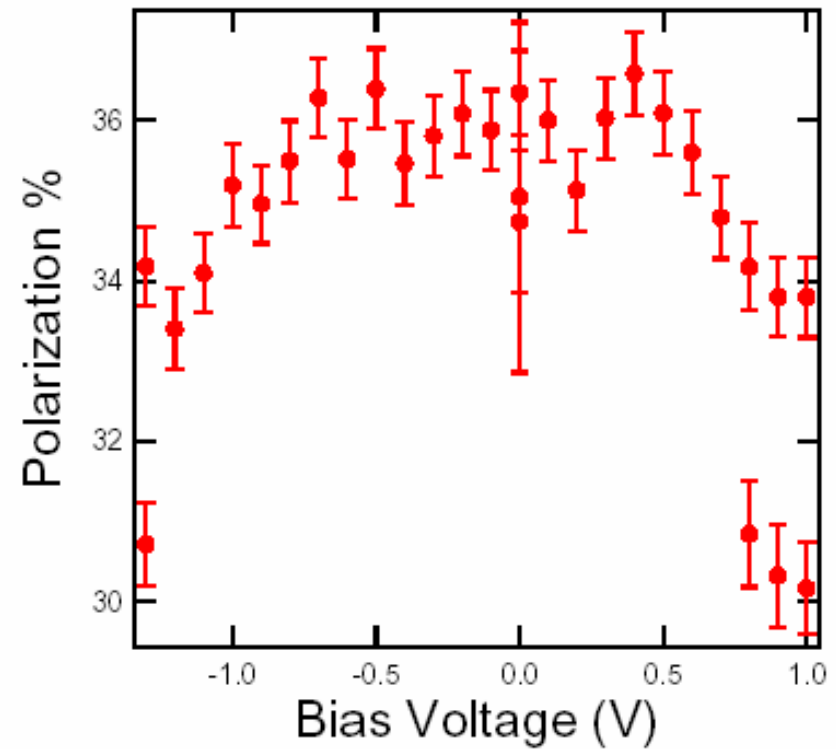
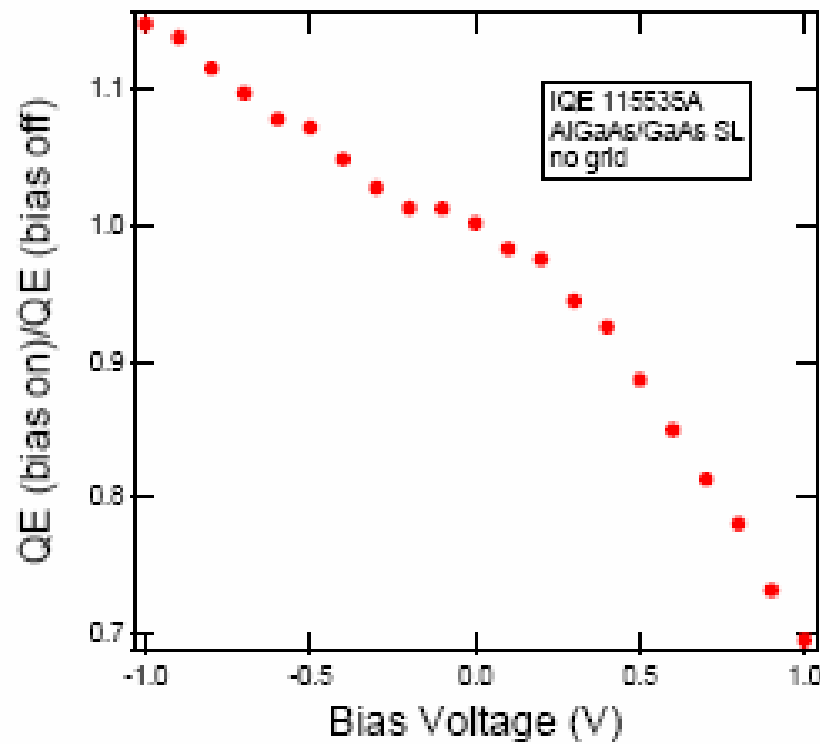


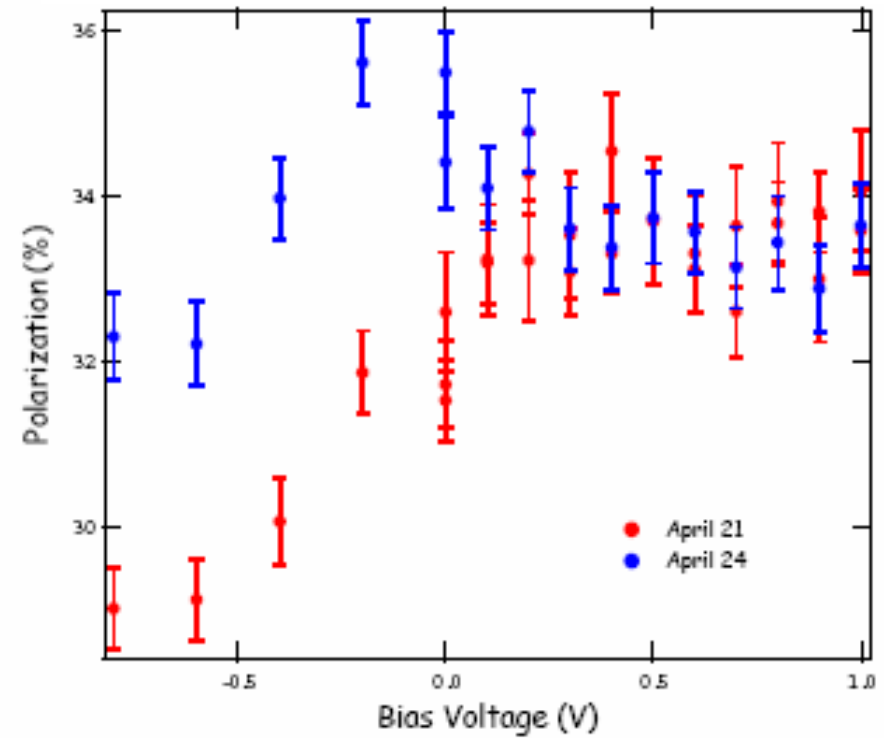
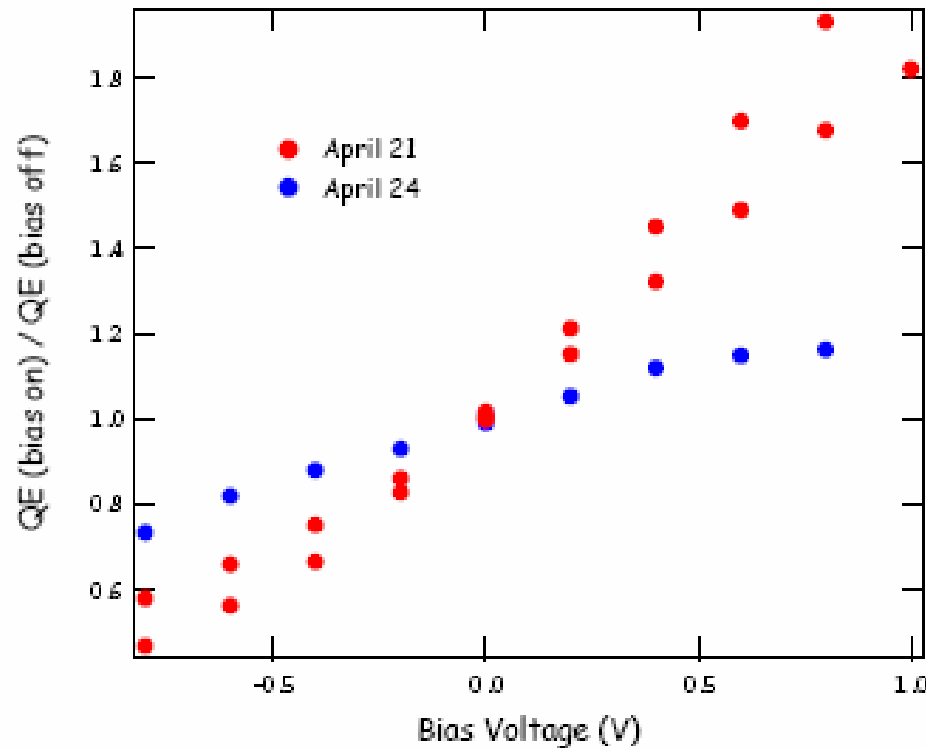
Cathode R&D 04/26/06

1. **QE and polarization measurements of samples with grid as a function of bias voltage**
2. **Tantalum ring with smaller hole in place**
3. **Comparison with previous results**

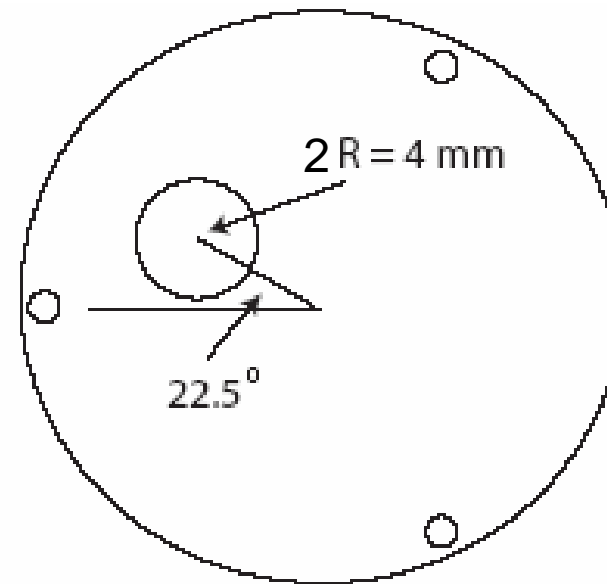
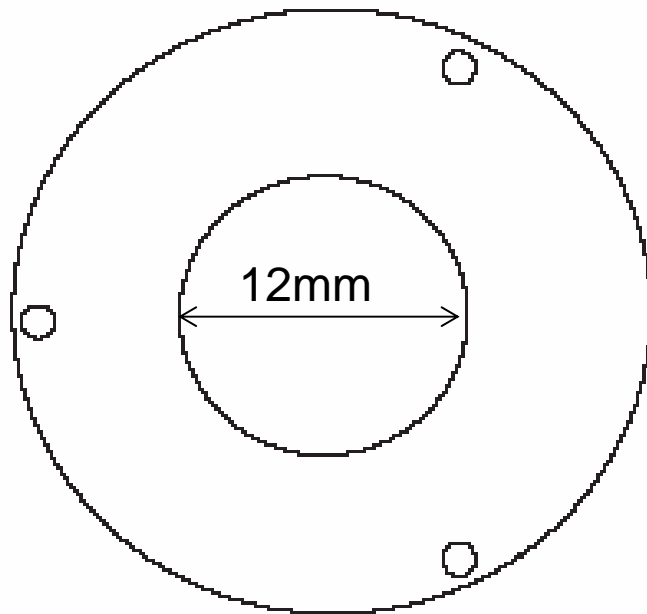
AlGaAs/GaAs SL, 784nm laser illumination, no grid



IQE 100nm GaAs, $5 \times 10^{16} \text{cm}^{-3}$, 784nm laser illumination, $4 \times 16 \mu\text{m}$ grid



Tantalum rings



Conclusions

- Wait for the thick grid samples (~1mm thick metal grid) by May 10.
- Expect the InGaAs/GaAs samples from SVT this week.