

Status of the FPCCD software

Physics and Software meeting

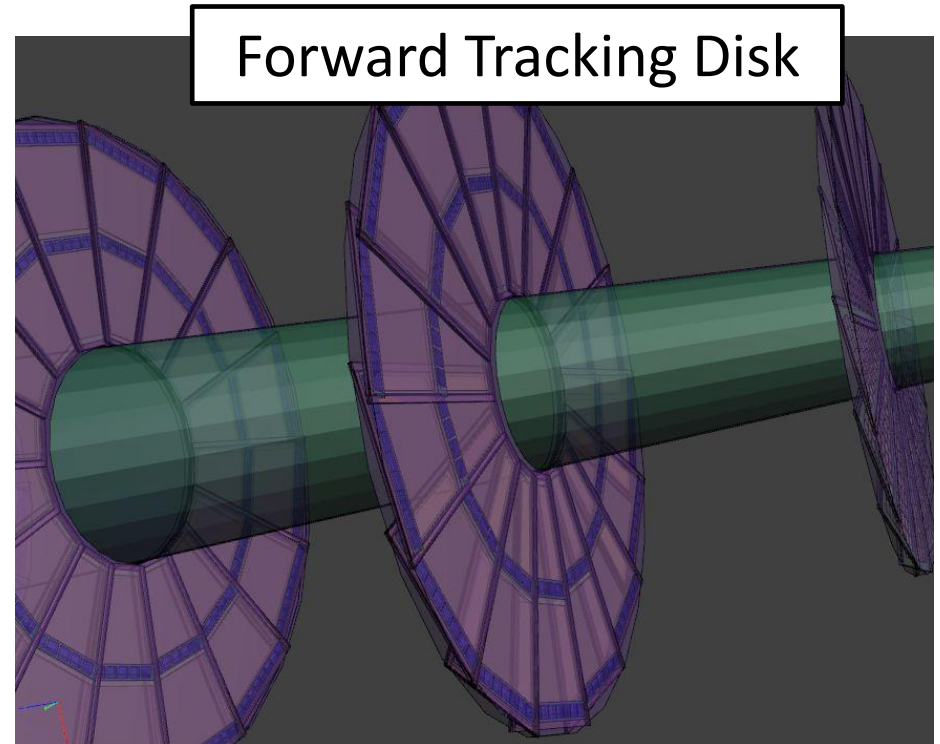
2011/07/01

D.Kamai (Tohoku University)

Current Status

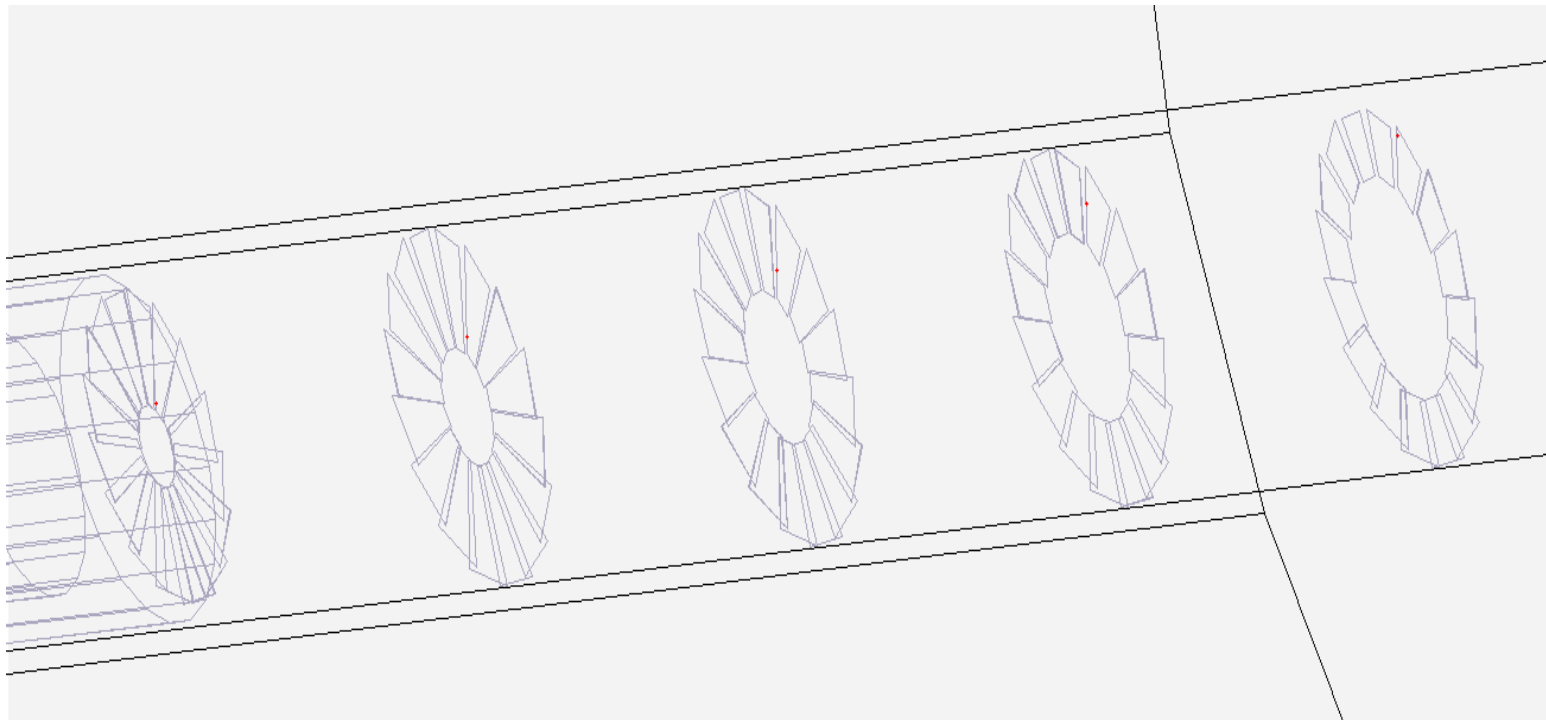
- Development of new silicon tracking processor.
 - collaborate with DESY group.
 - Implementation of FTD into KalTest was started.
 - Simple disk → Trapezoid petals
 - SIT part will be done by Steve.

Same structure
as windmill



Implementation of FTD

- Implementation of FTD into KalTest was started.
 - Geometry of FTD was almost installed in KalTest.
 - Numbering of overlapped part of petals is not correct yet.



Plan

- Complete the implementation of FTD.
- Speed up of Kalman Filter.
 - improving the method to search next hits.