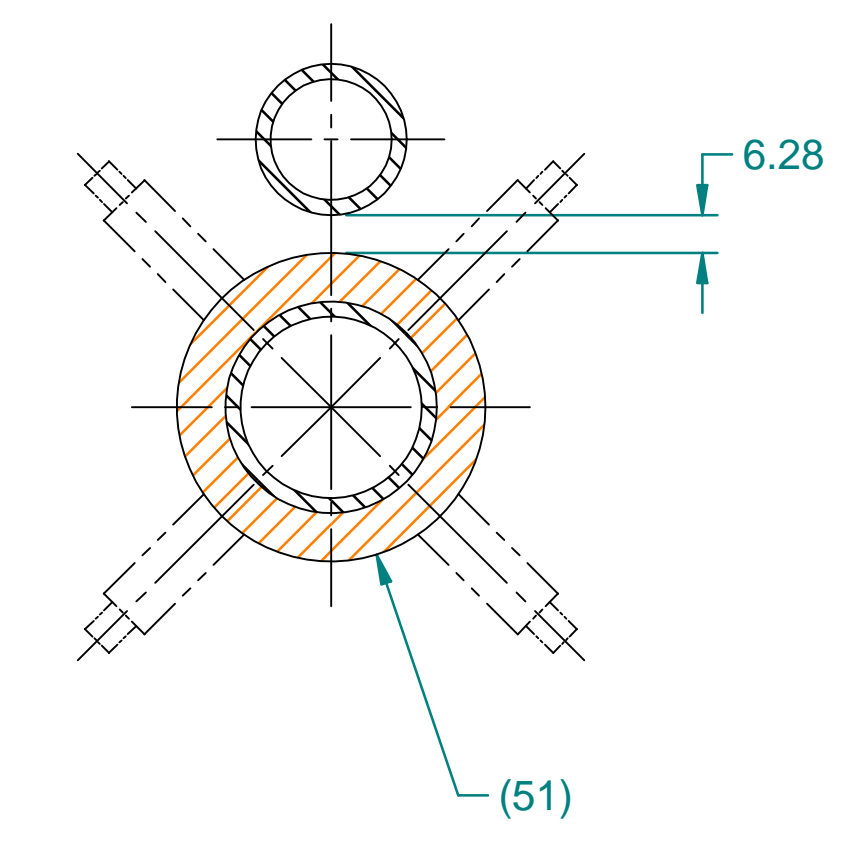
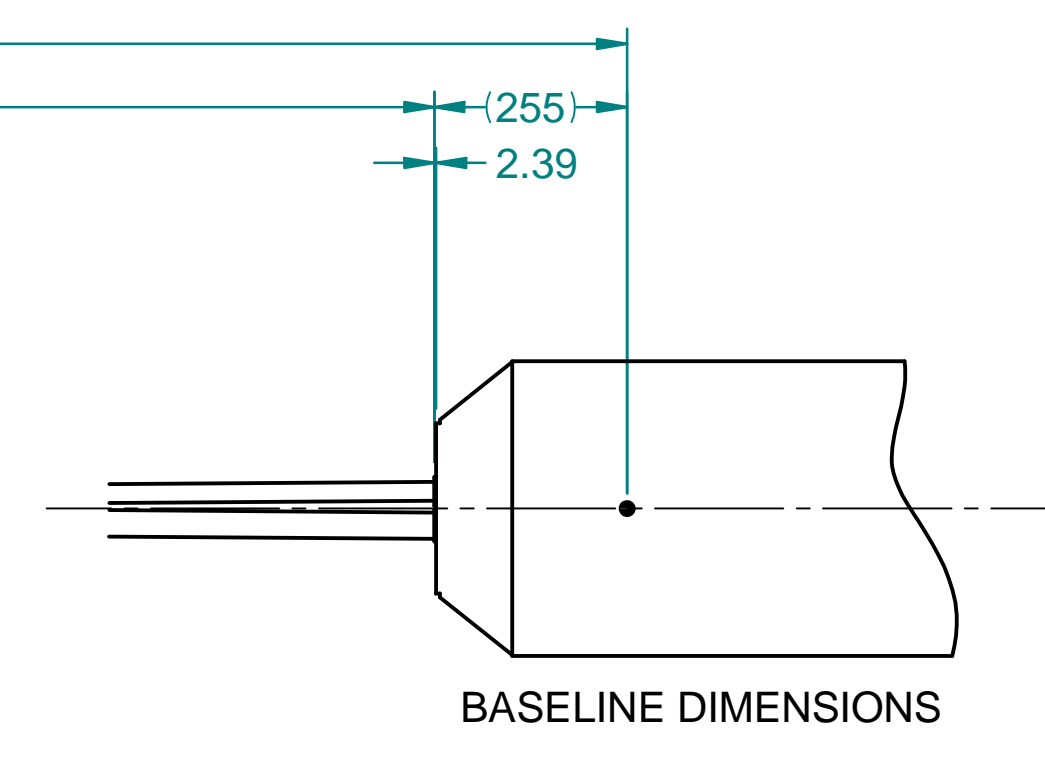


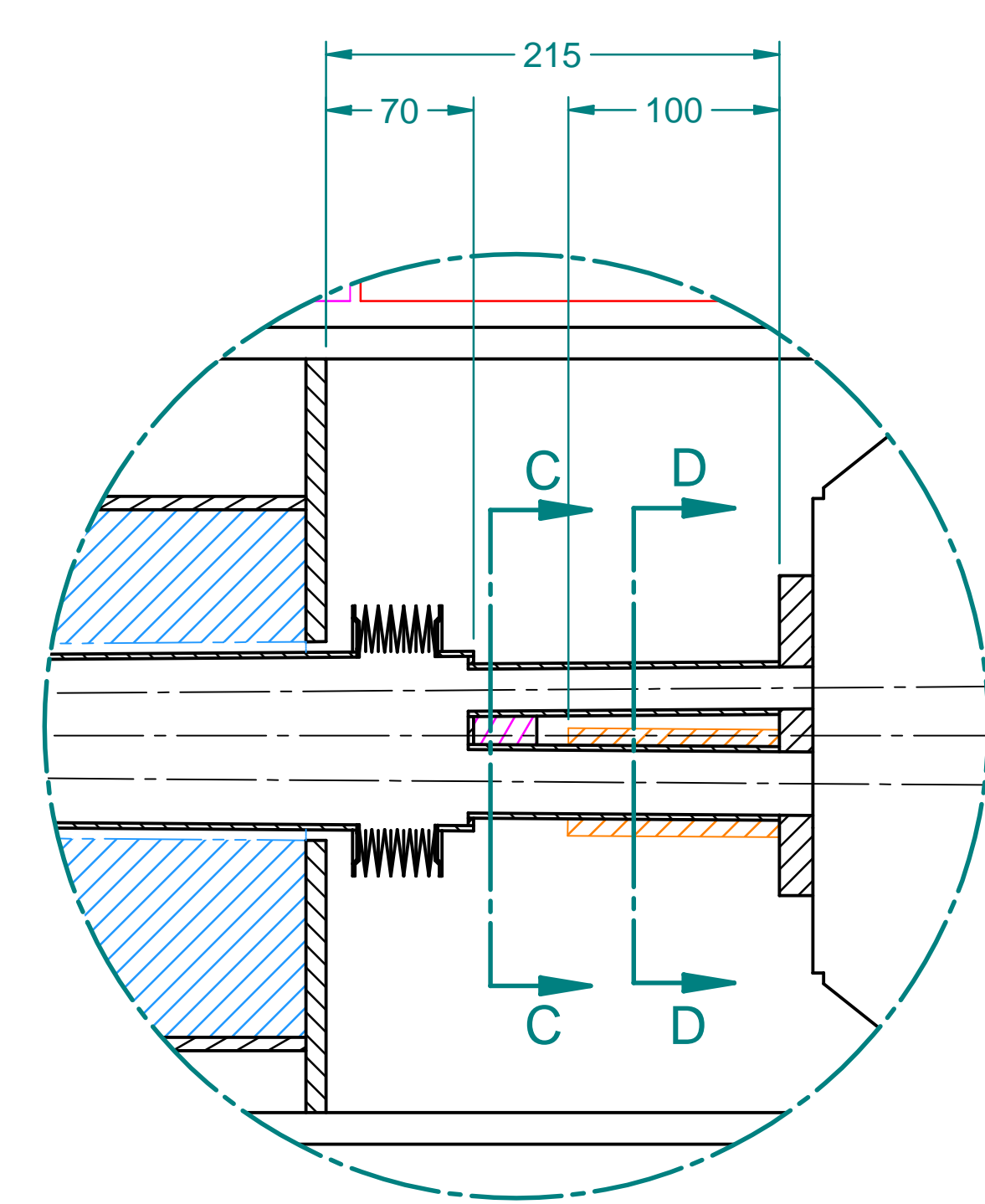
SECTION C-C
1:8



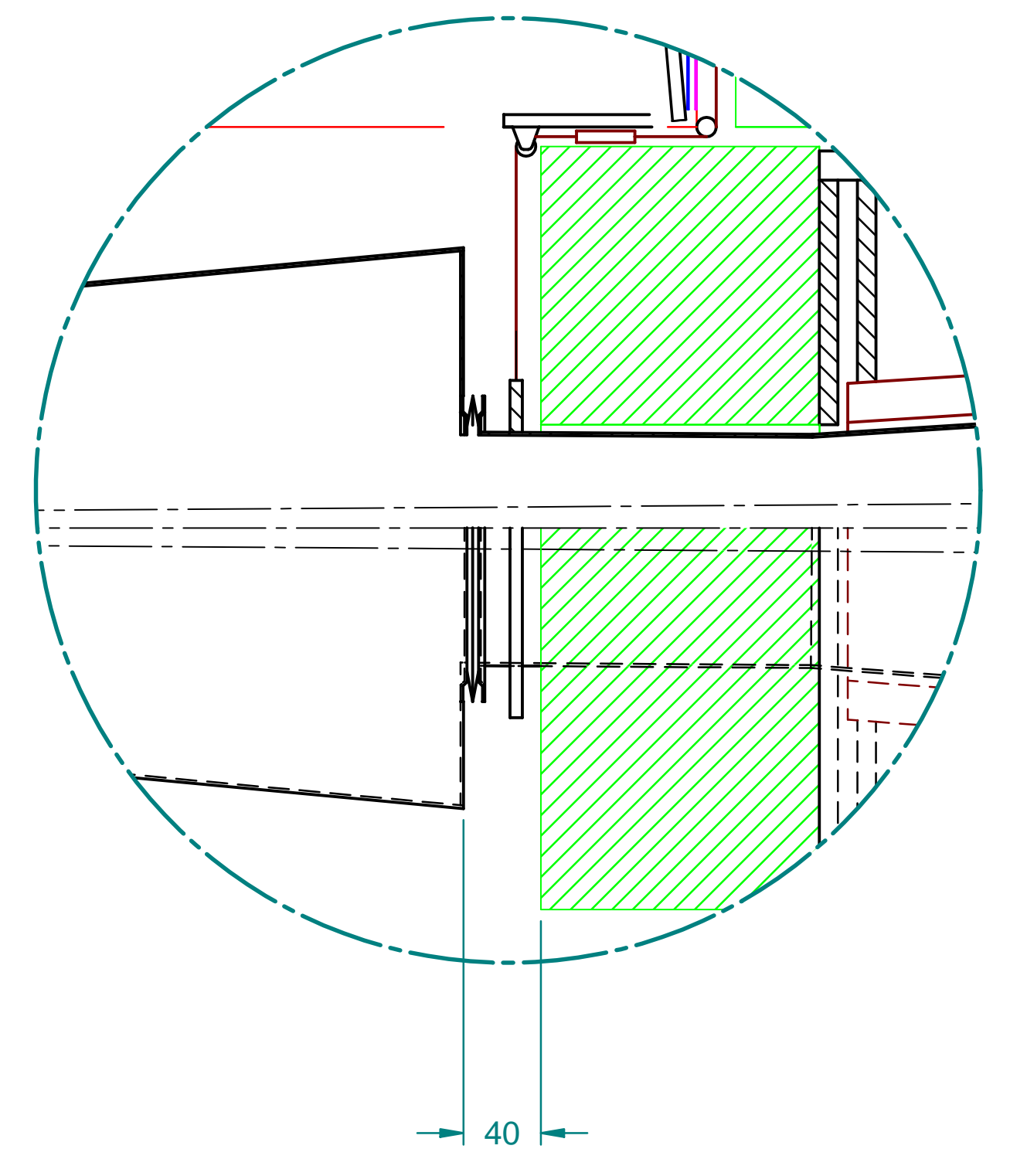
SECTION D-D
1:8



BASELINE DIMENSIONS



DETAIL B
1:3



DETAIL A
1:3