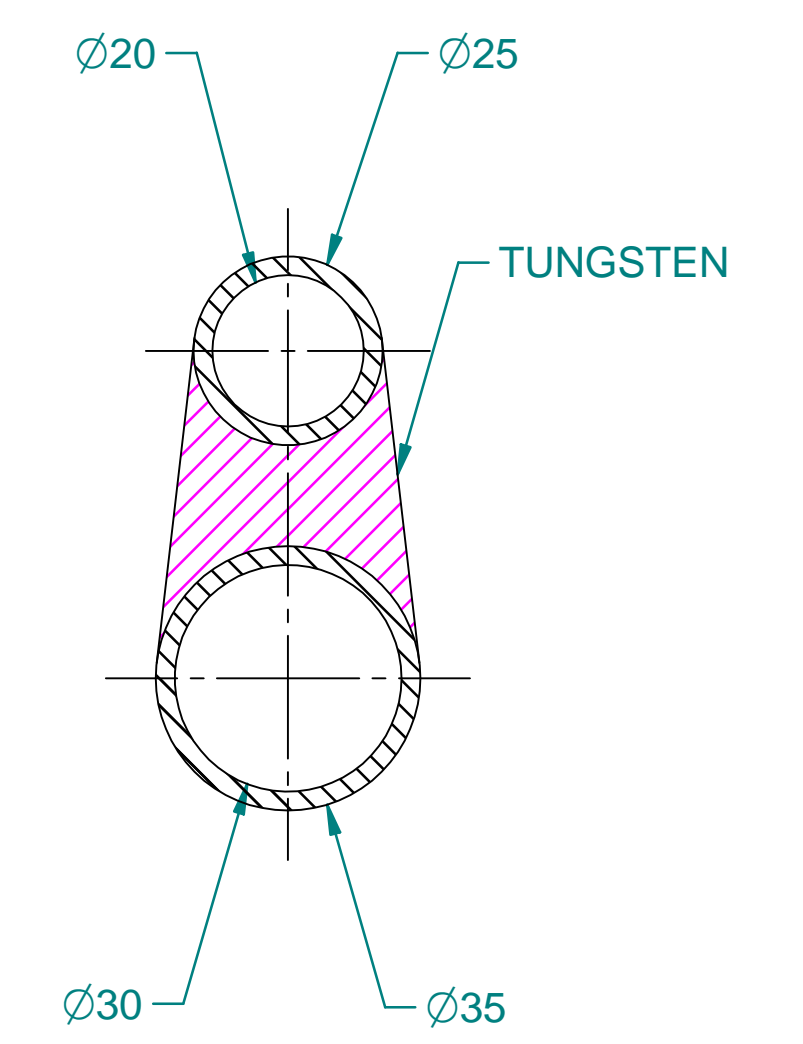
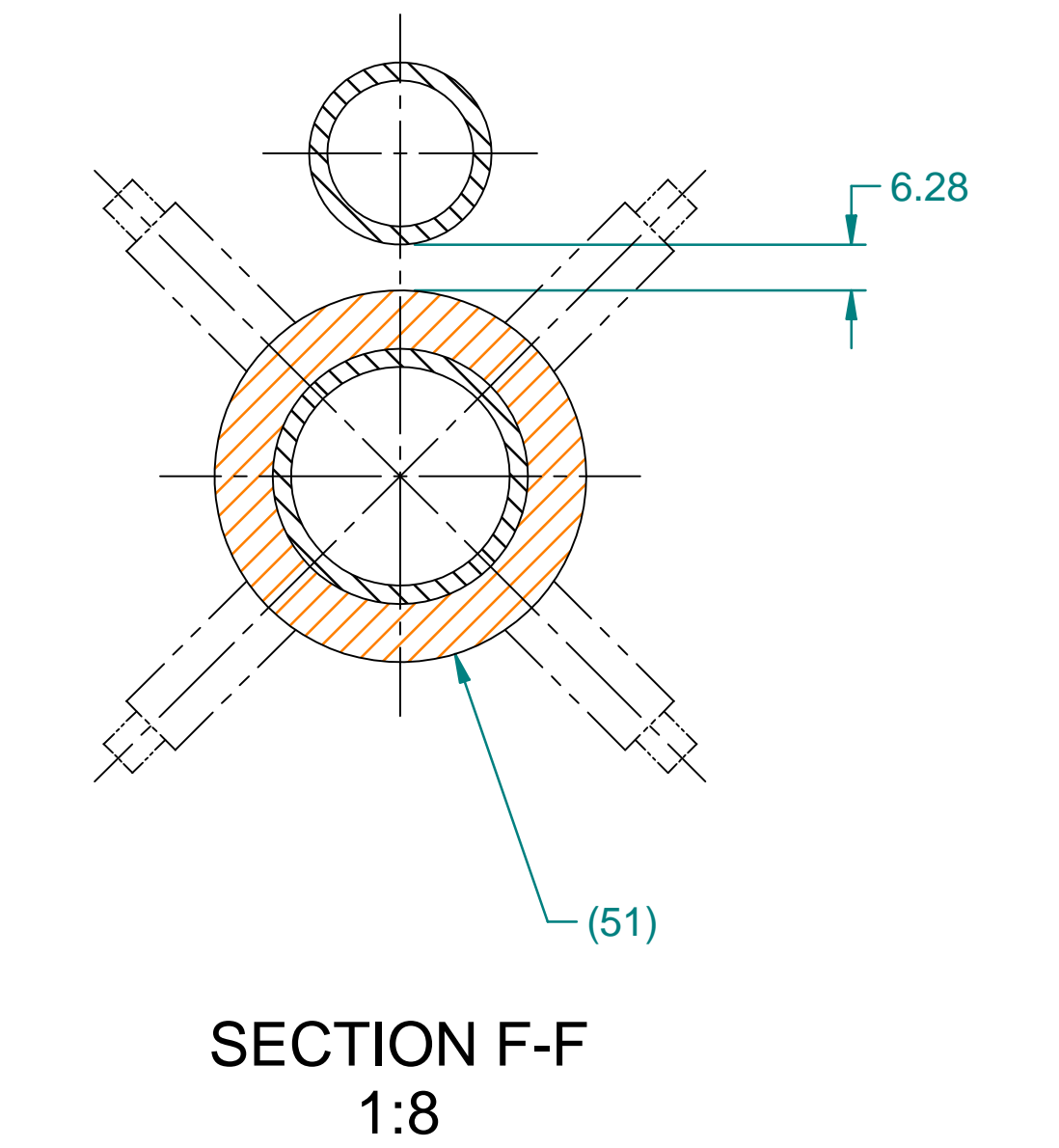


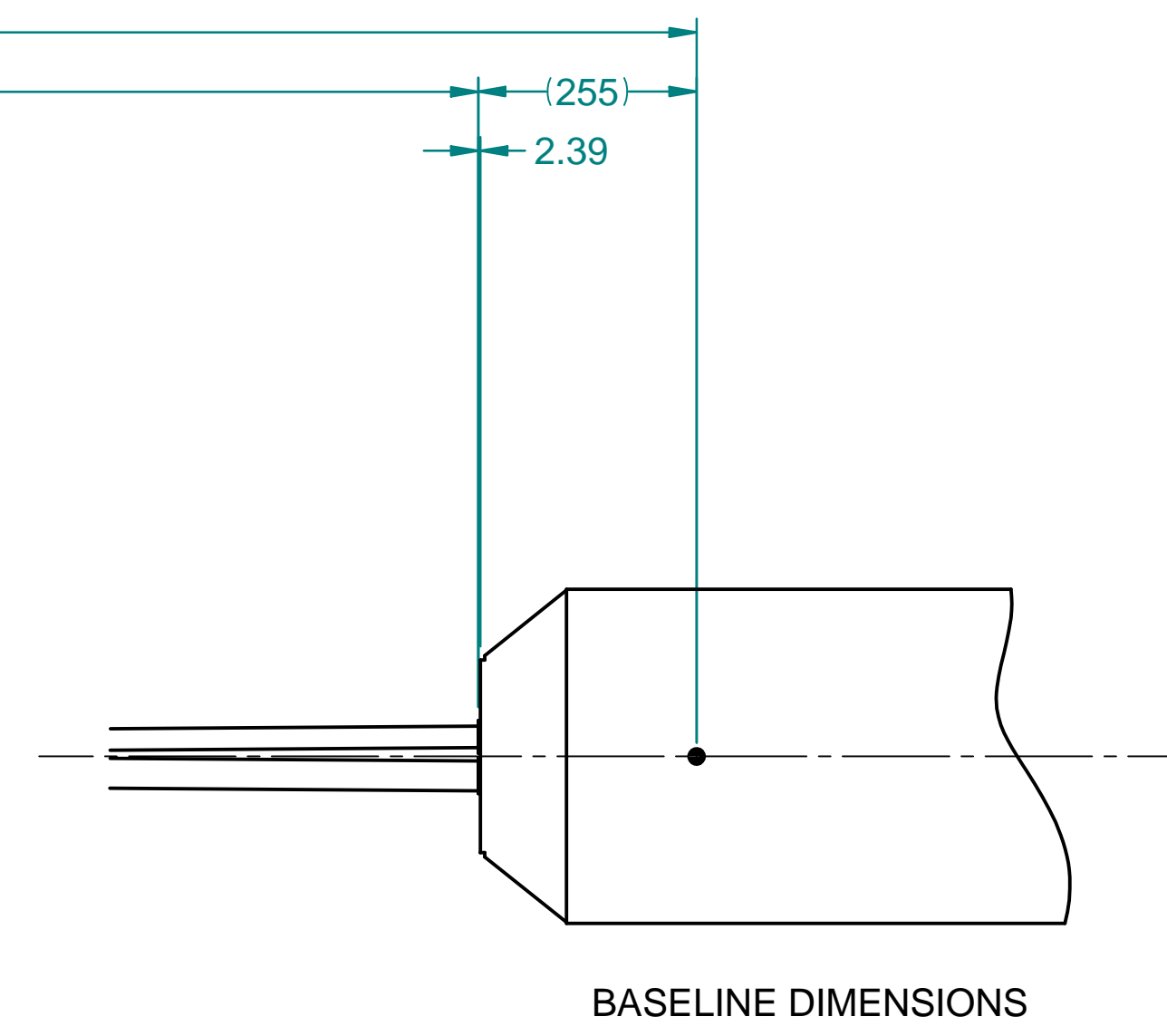
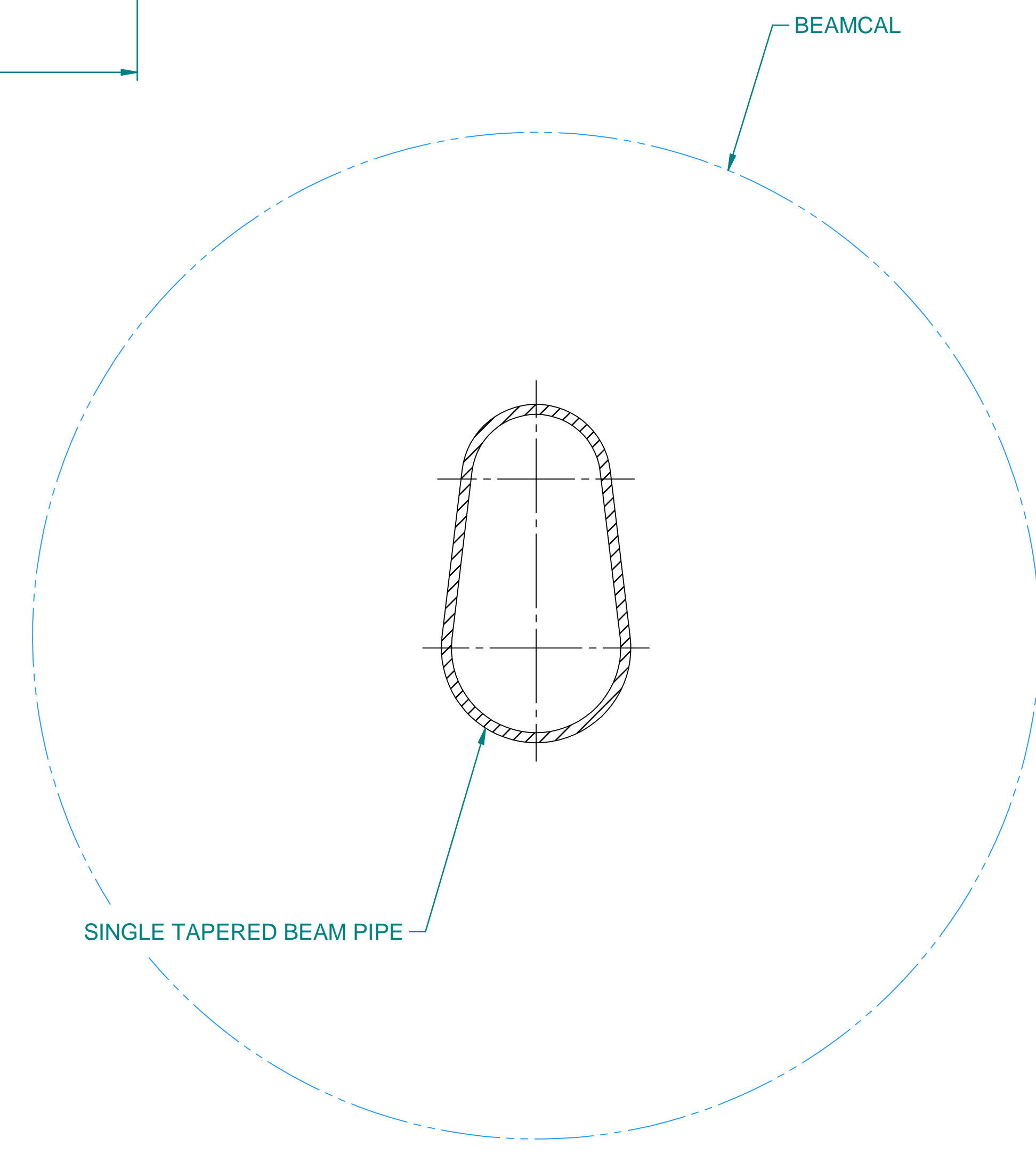
SECTION D-D
1:8



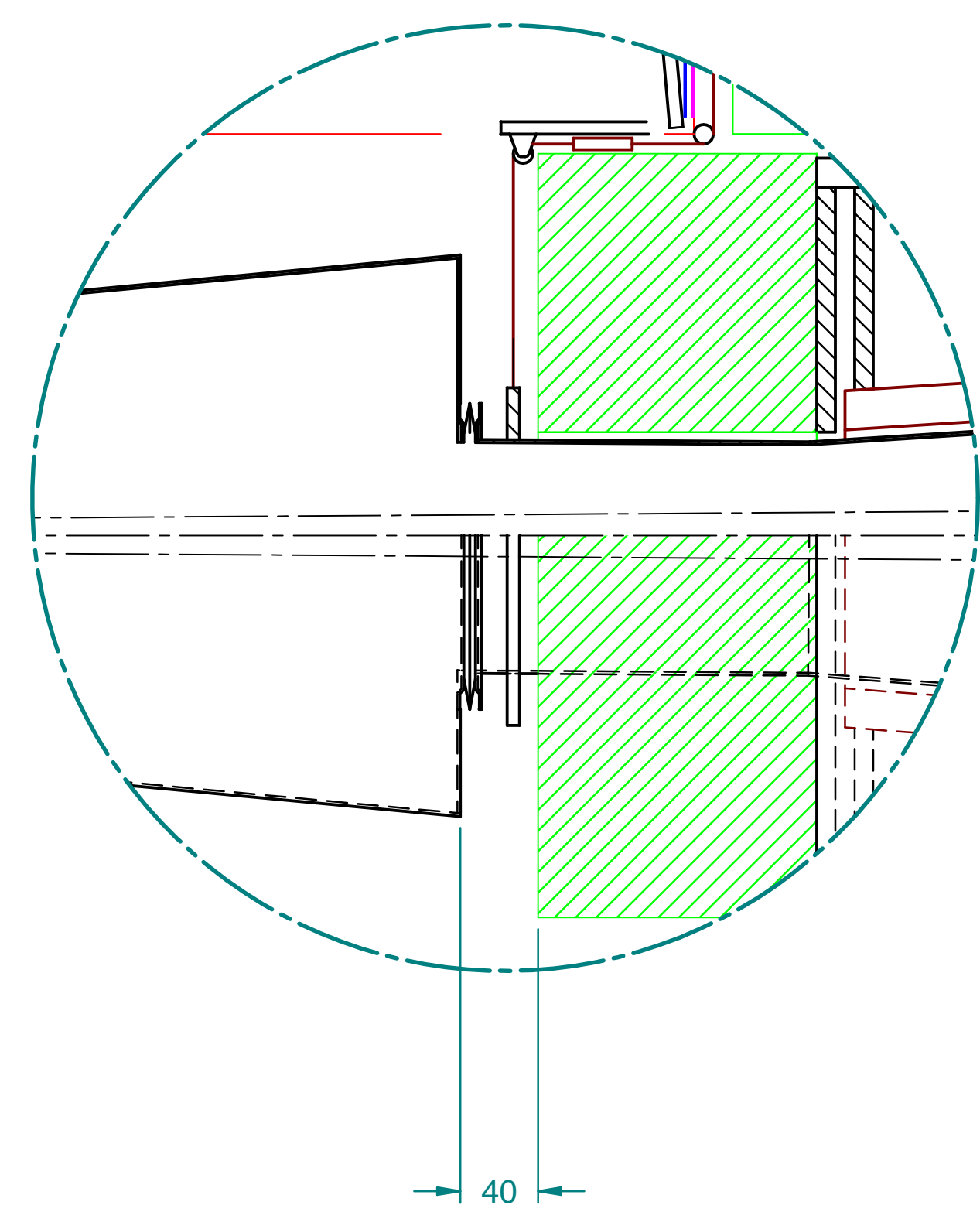
SECTION E-E
1:8



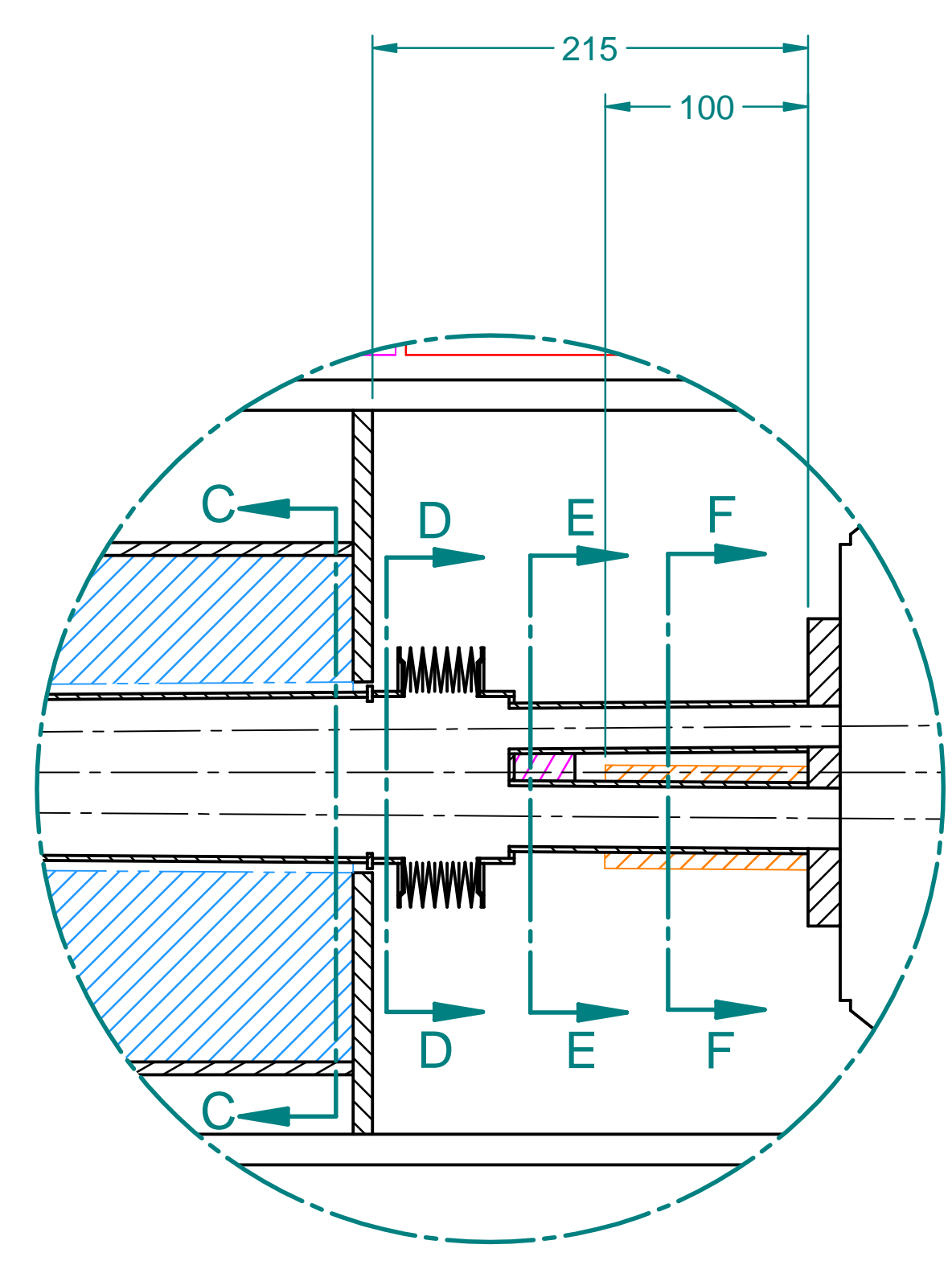
SECTION F-F
1:8



BASELINE DIMENSIONS



DETAIL A
1:3



DETAIL B
1:3