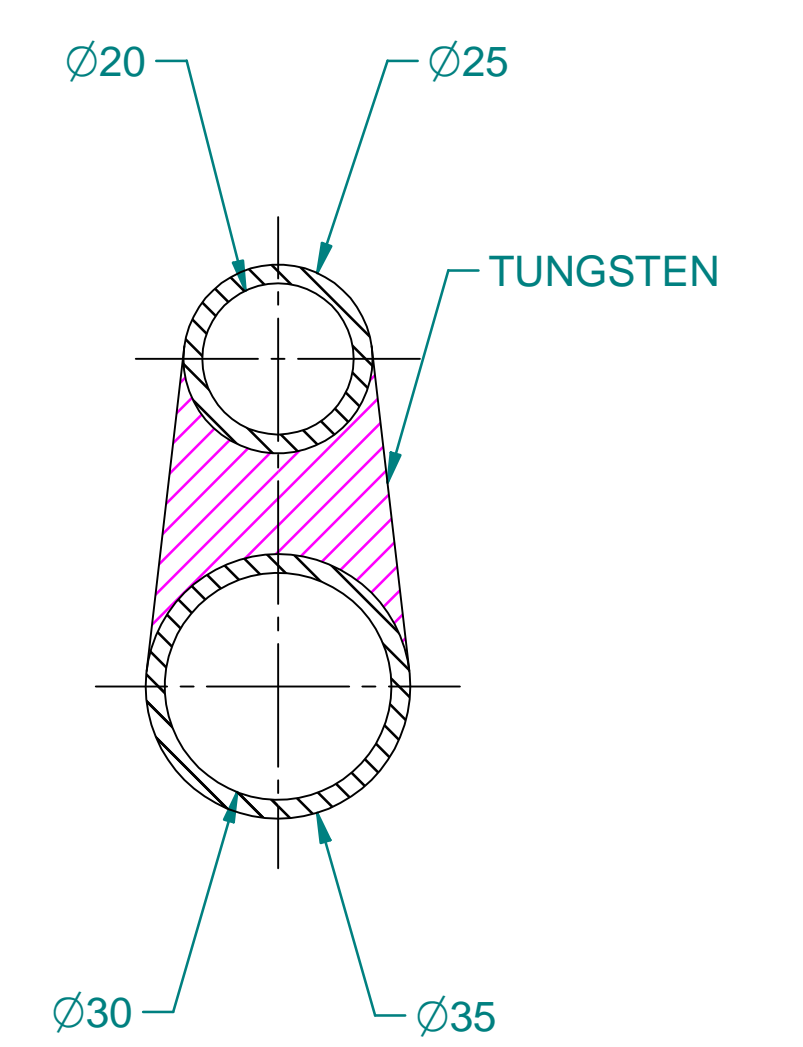
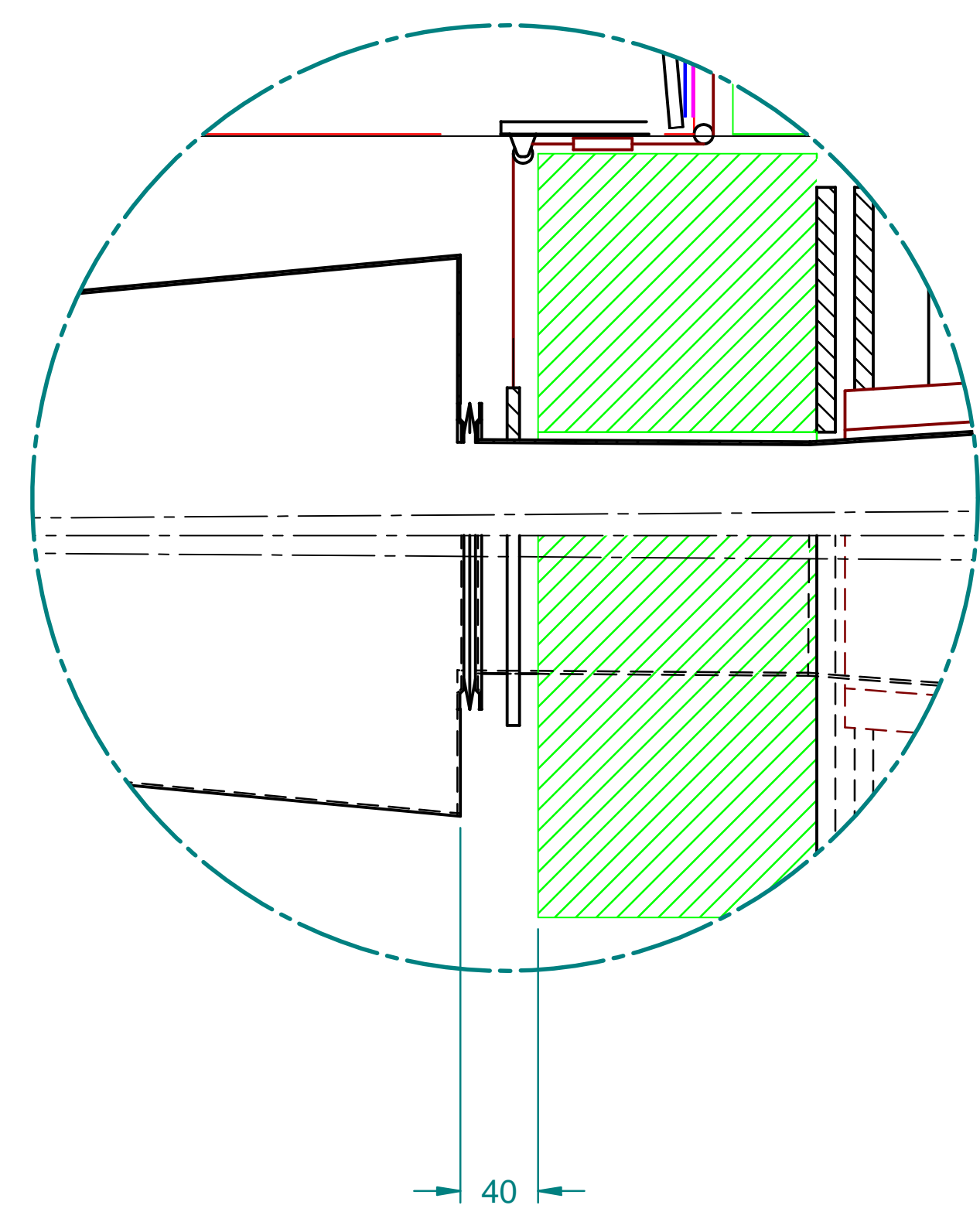


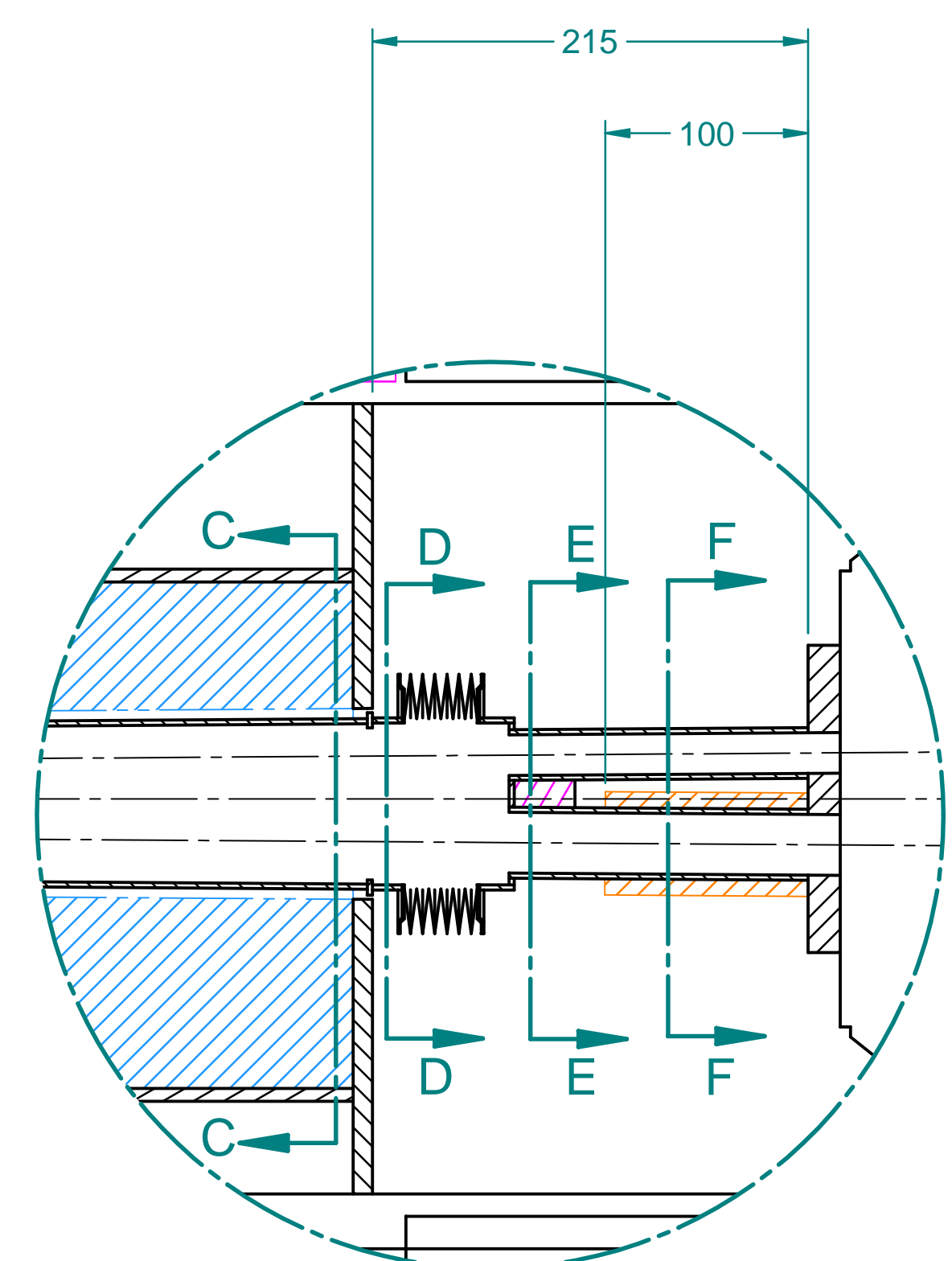
SECTION D-D
1:8



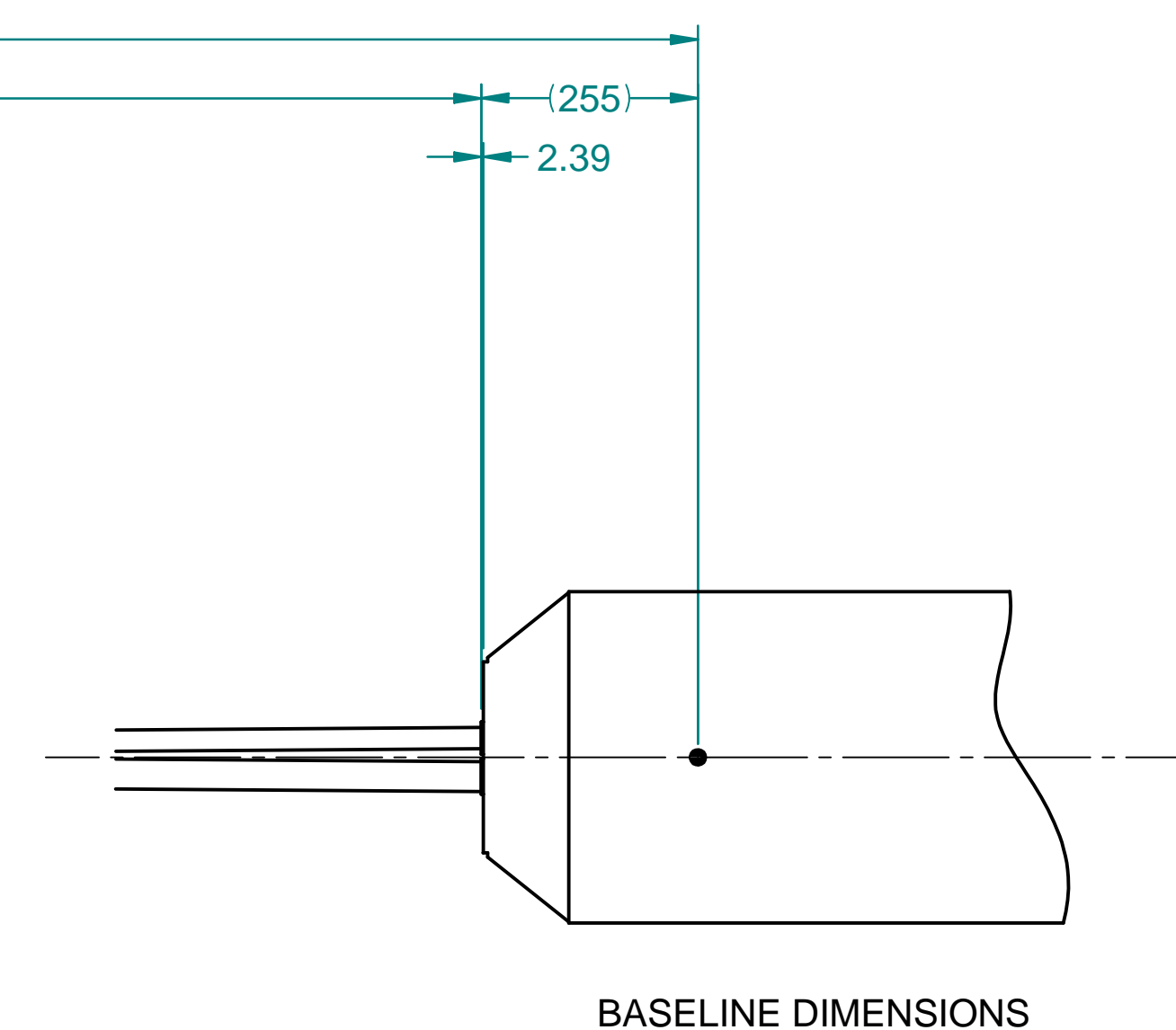
SECTION E-E
1:8



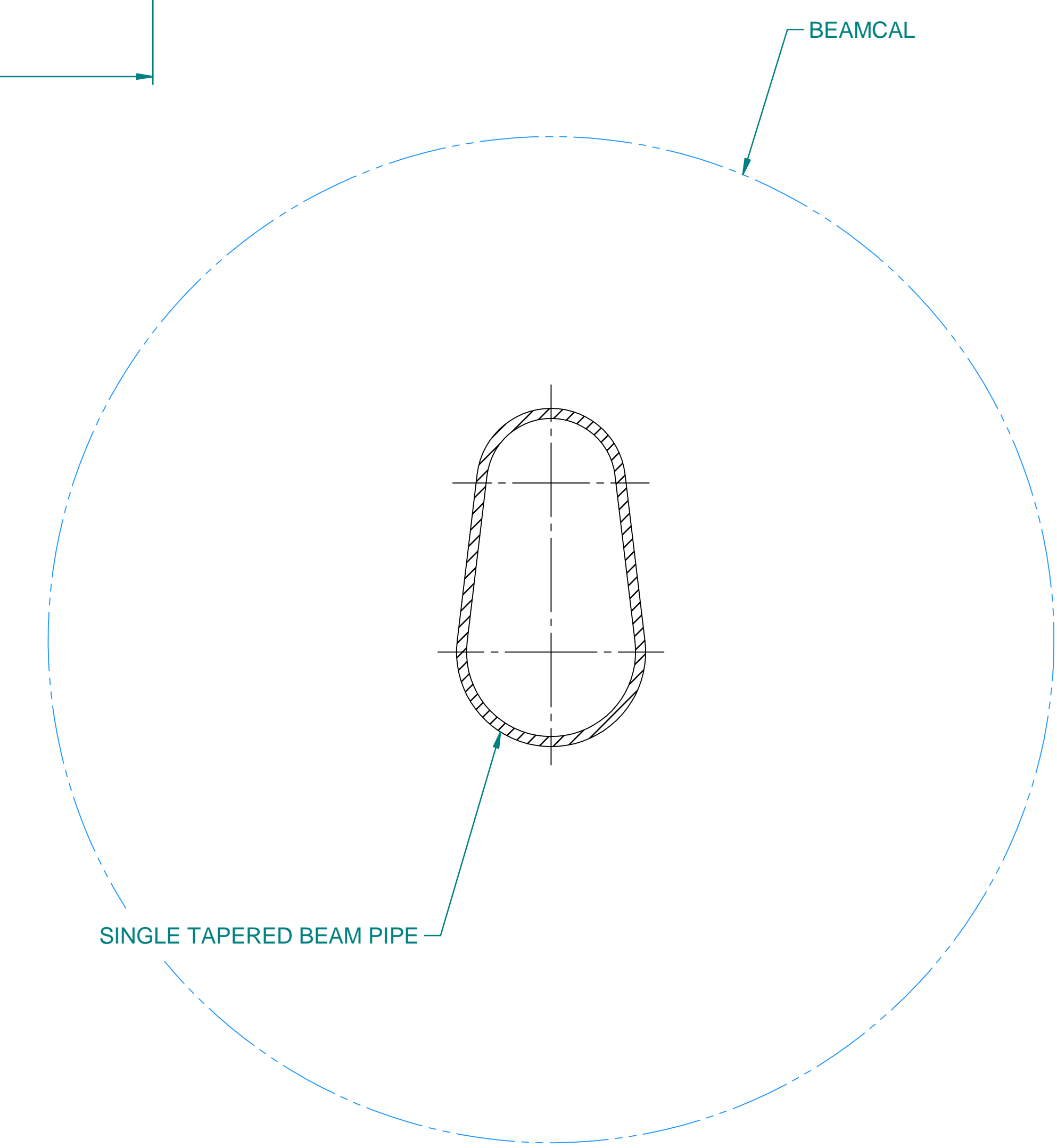
DETAIL A
1:3



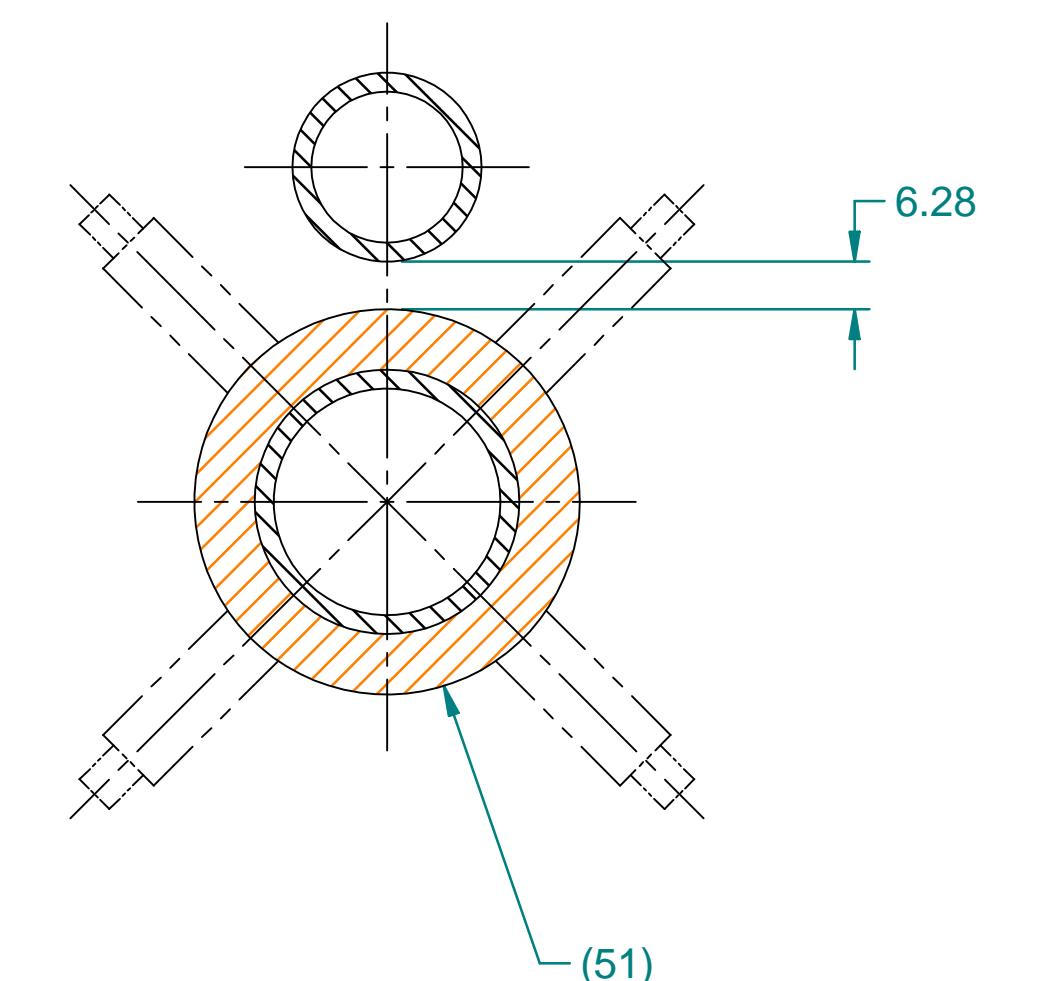
DETAIL B
1:3



BASELINE DIMENSIONS



SECTION C-C
1:8



SECTION F-F
1:8

