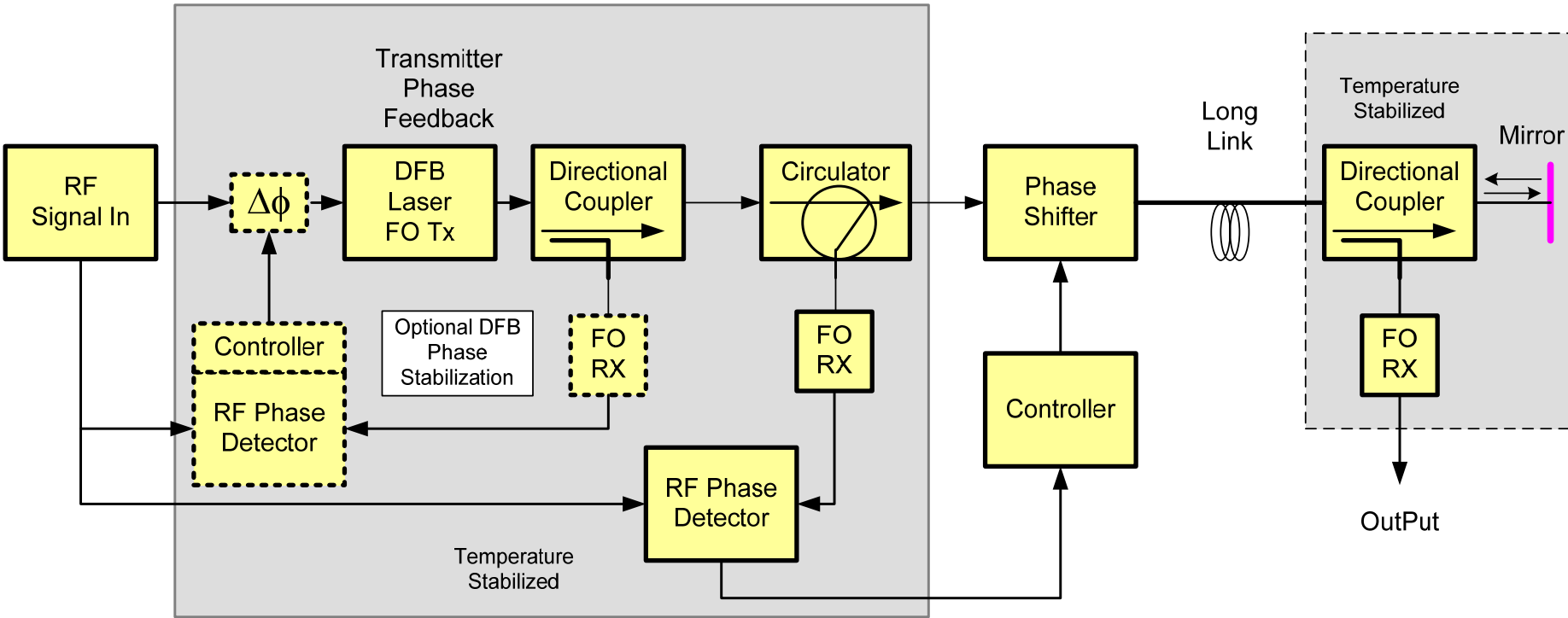


ILC Phase Reference/Timing Distribution

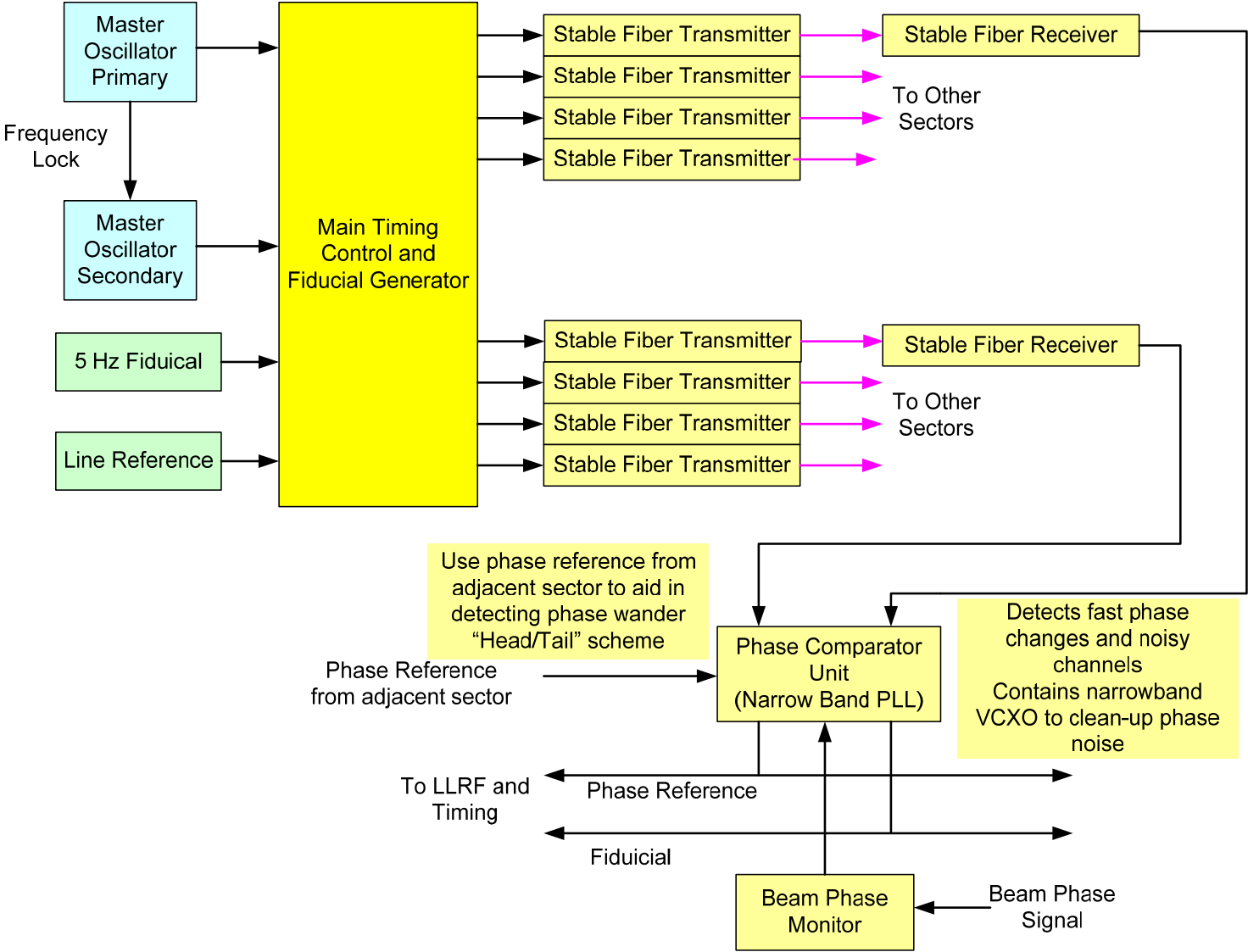
Frank Lenkszus



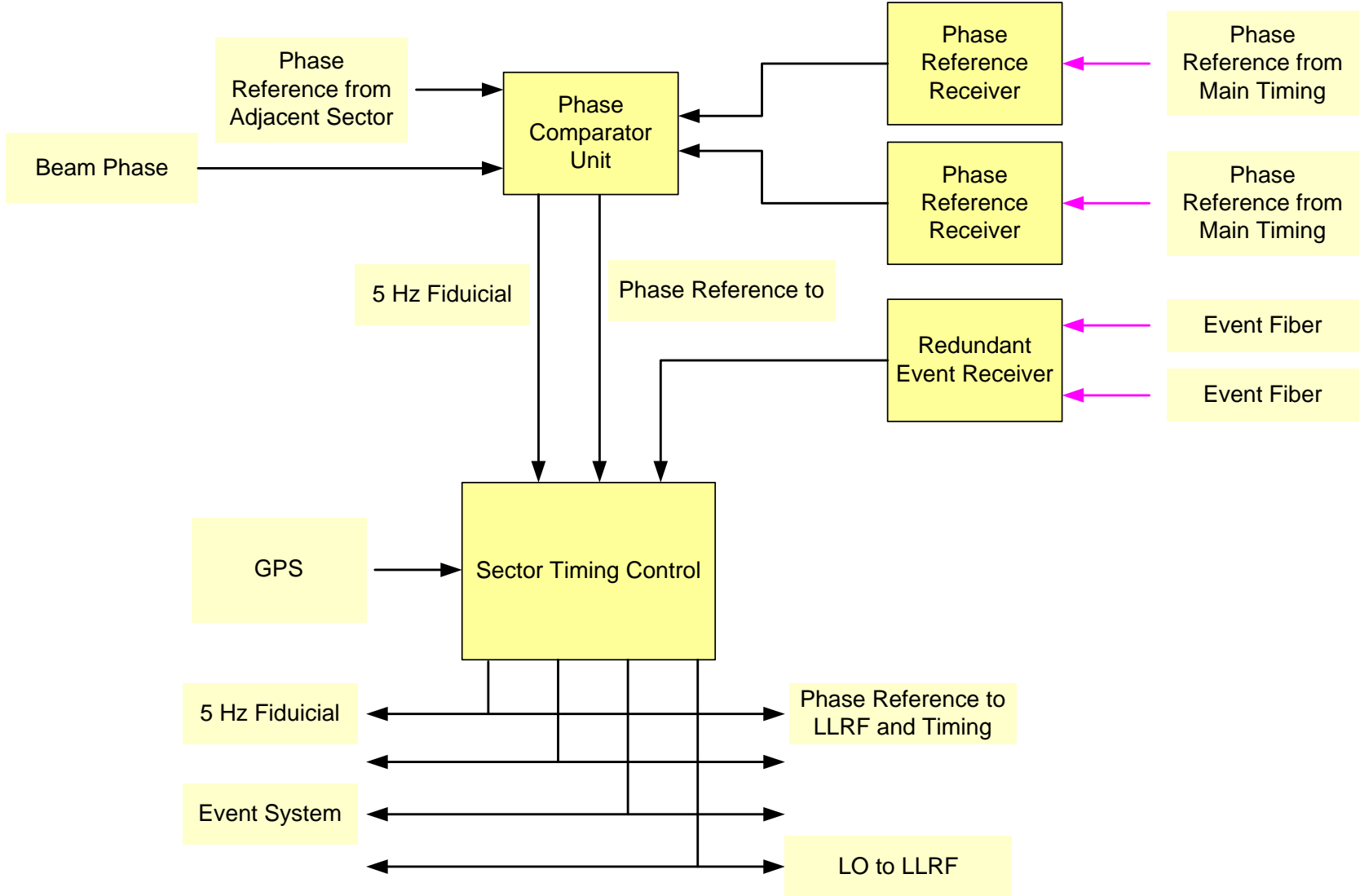
Phase Stabilized Link



Redundant Transmission



Sector Distribution



Sector Phase Reference/Timing Control

