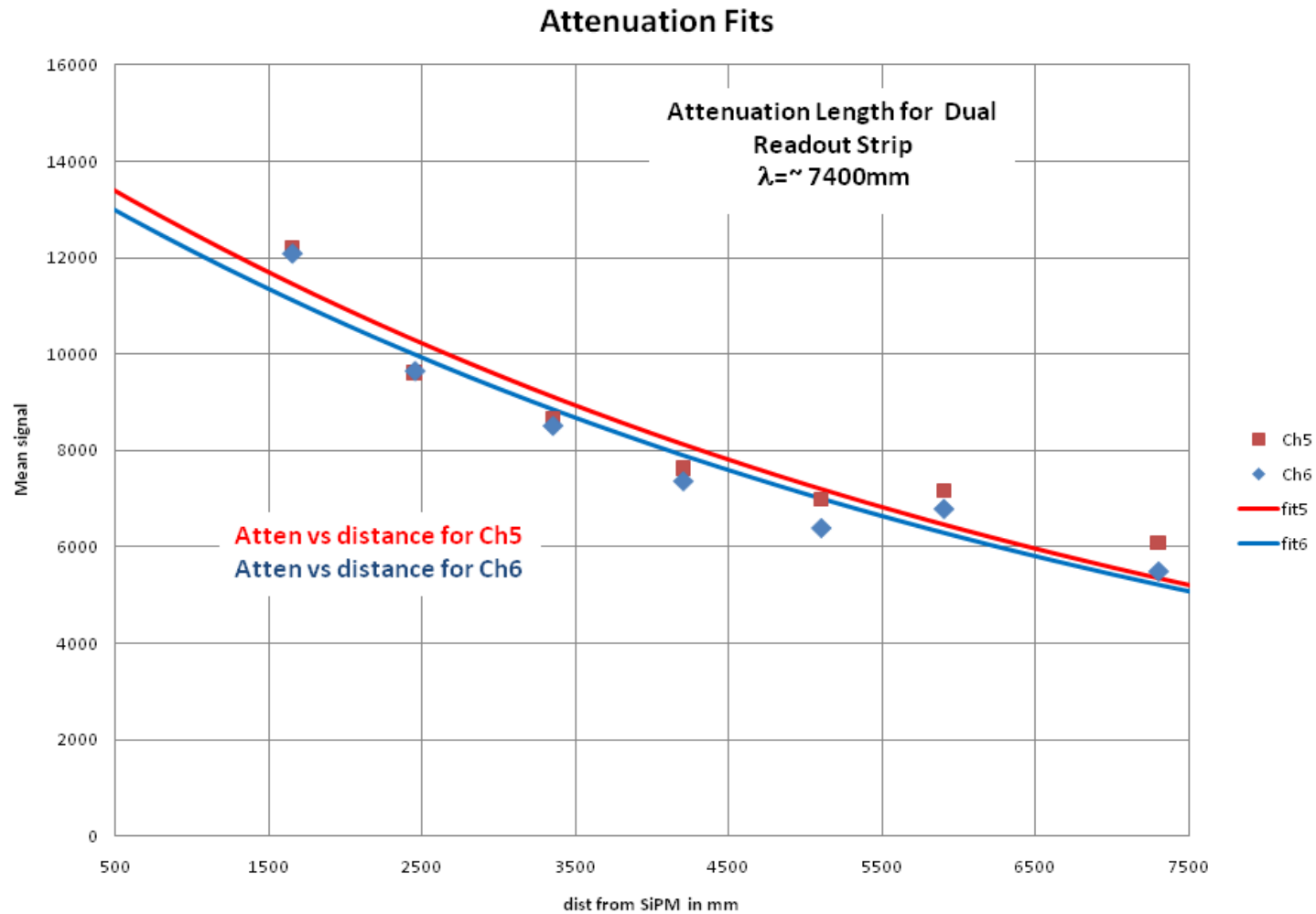


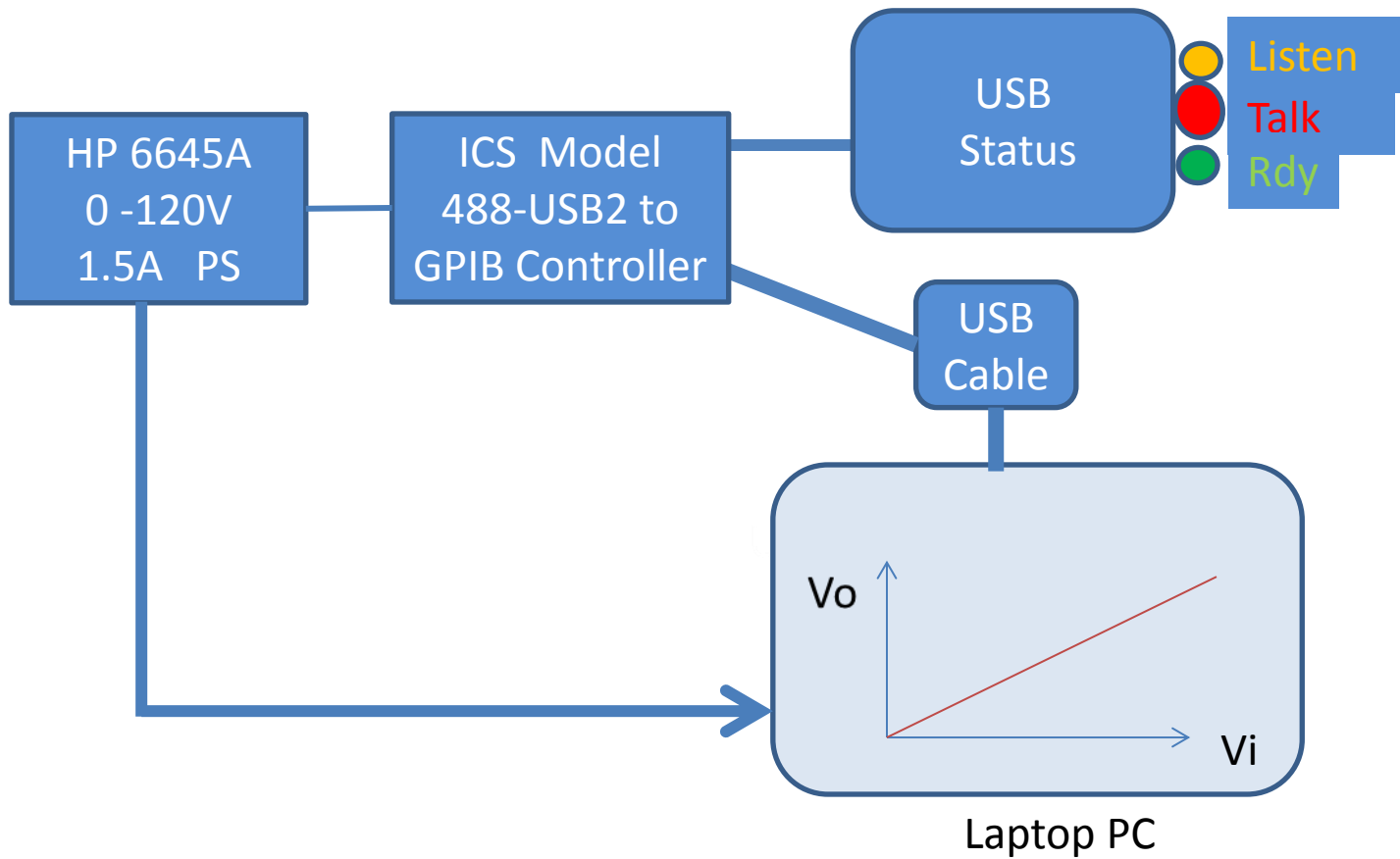
2014 Strip Scintillator Inventory



- 142i n. X 4.1 cm X 1 cm
- ~ 800 strips produced
- ~ 150 TB studies
- 663 OK Future R&D
- 350 m 1.2mm d WLS
- Need ~ 100 APDs + misc supplies

Attenuation length measured at FTBF = 7.4m





New PS Measurements using ICS GPIB Controller

