



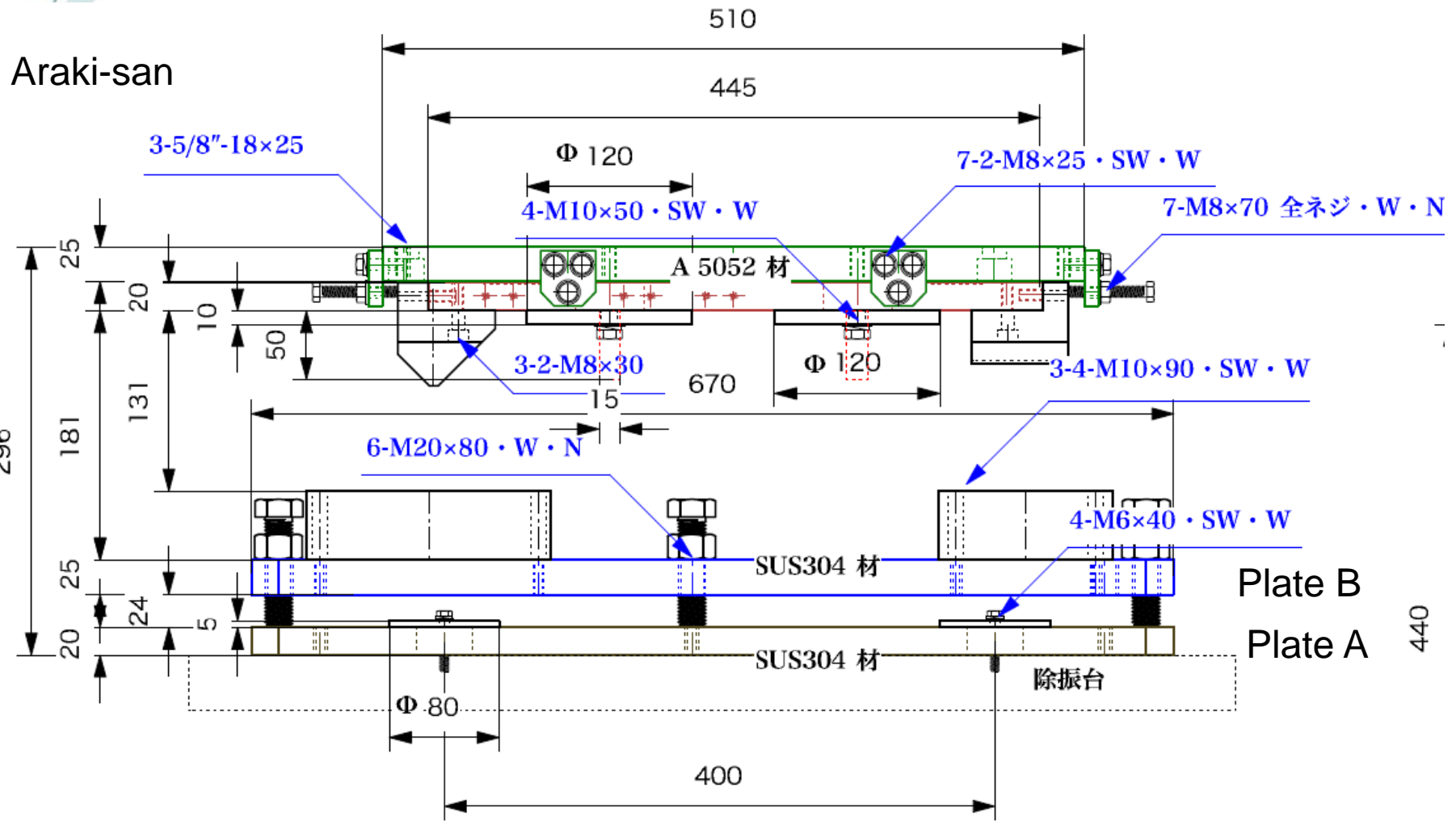
Laboratoire d'Annecy-le-Vieux  
de Physique des Particules

# Slides for discussion about QF1FF support

A.Jeremie



# Current QF1FF support with shims between plate A and B



Araki-san

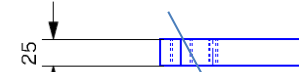
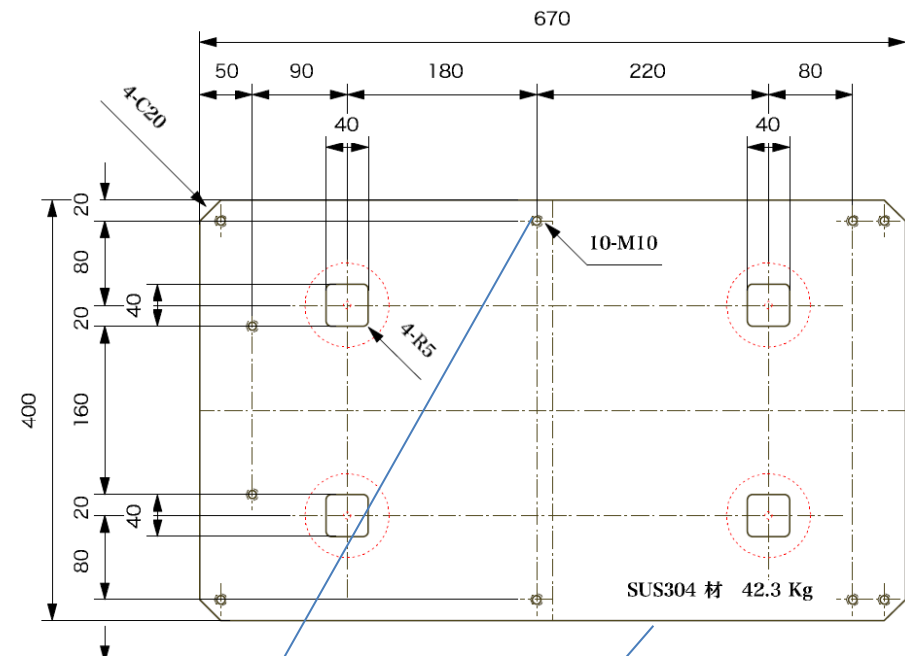
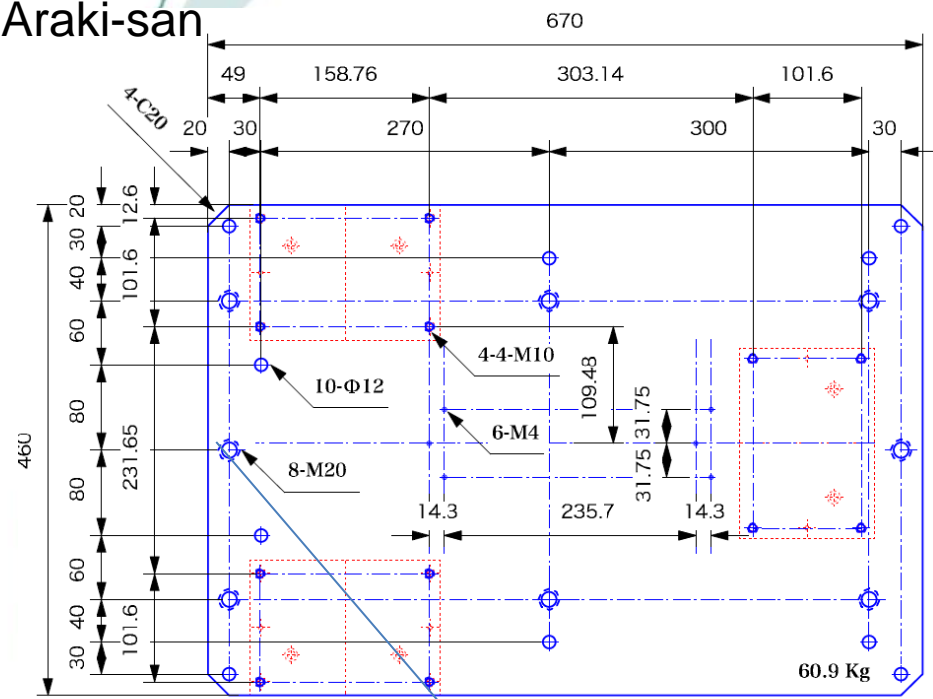
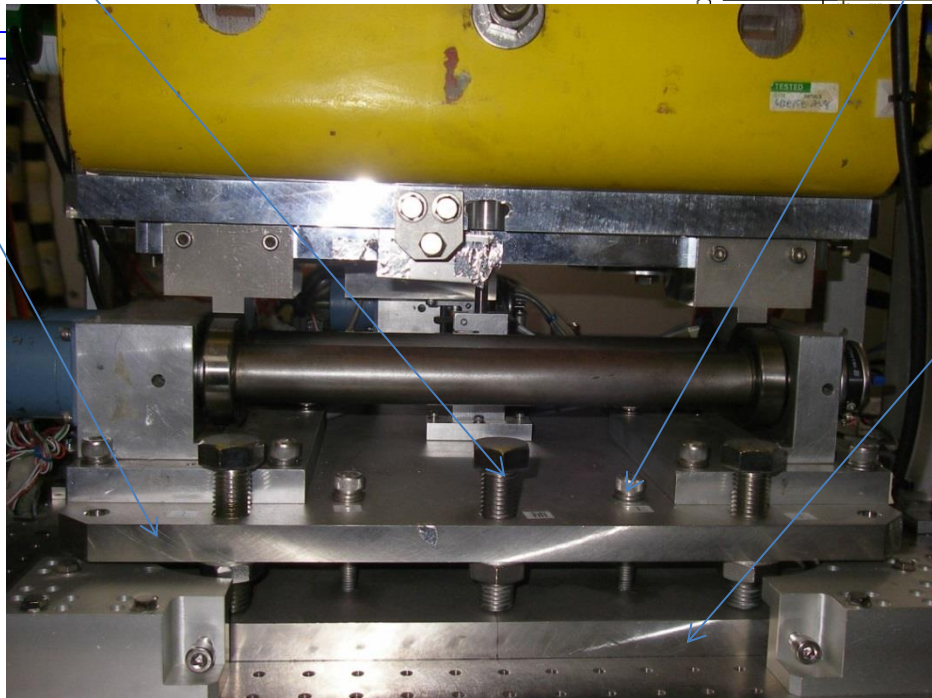
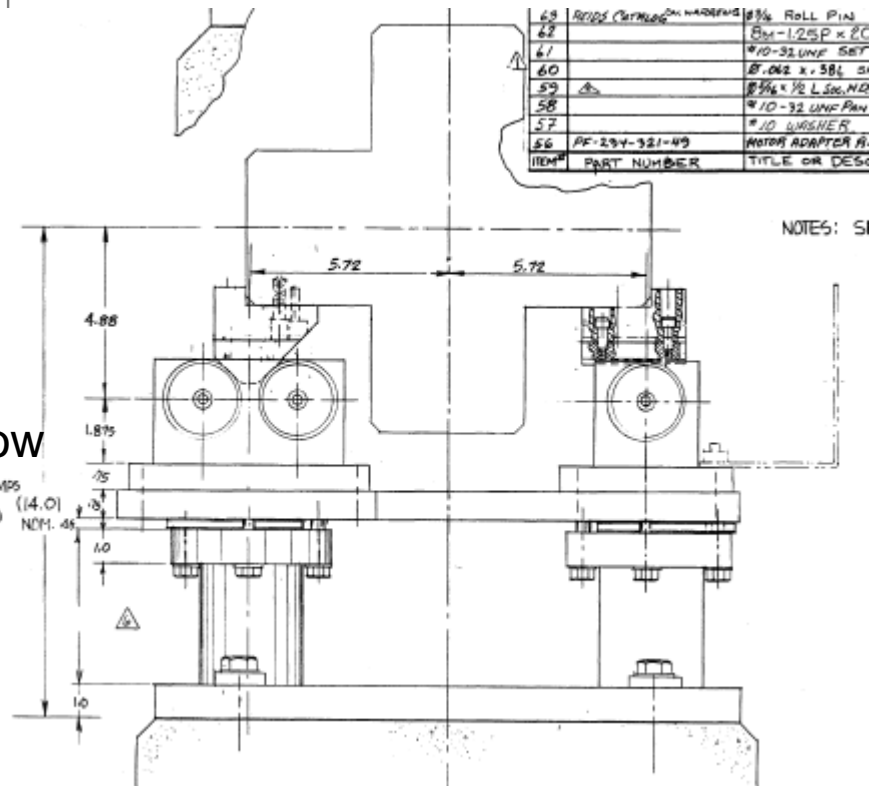
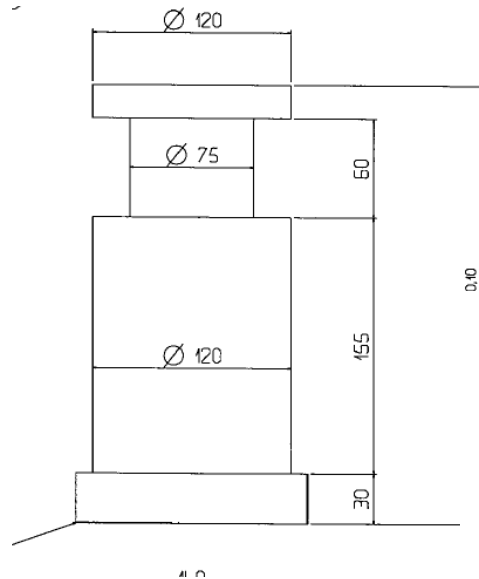
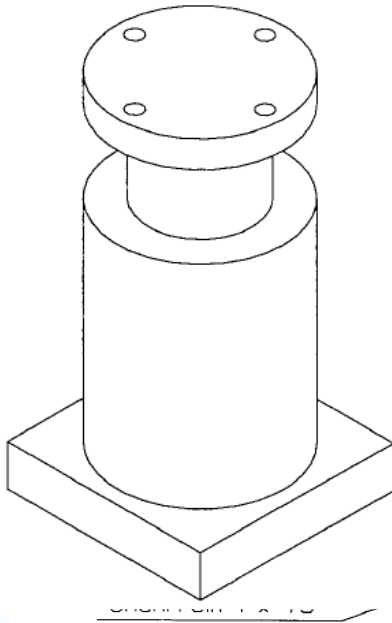


Plate B

Plate A



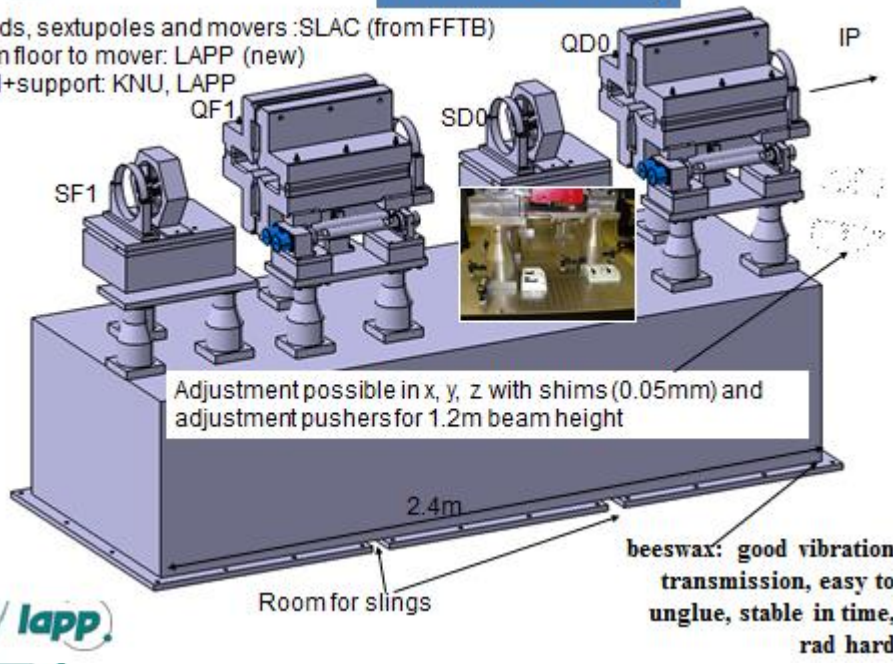
# Old QF1FF feet



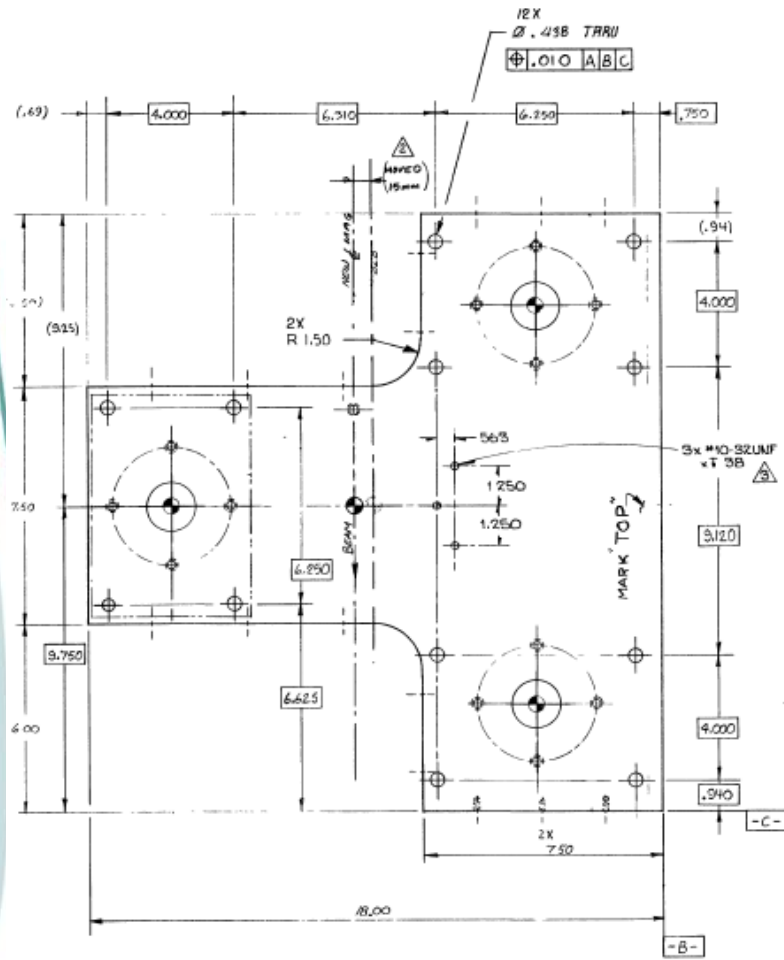
Room needed to tighten screw from below

## Final assembly

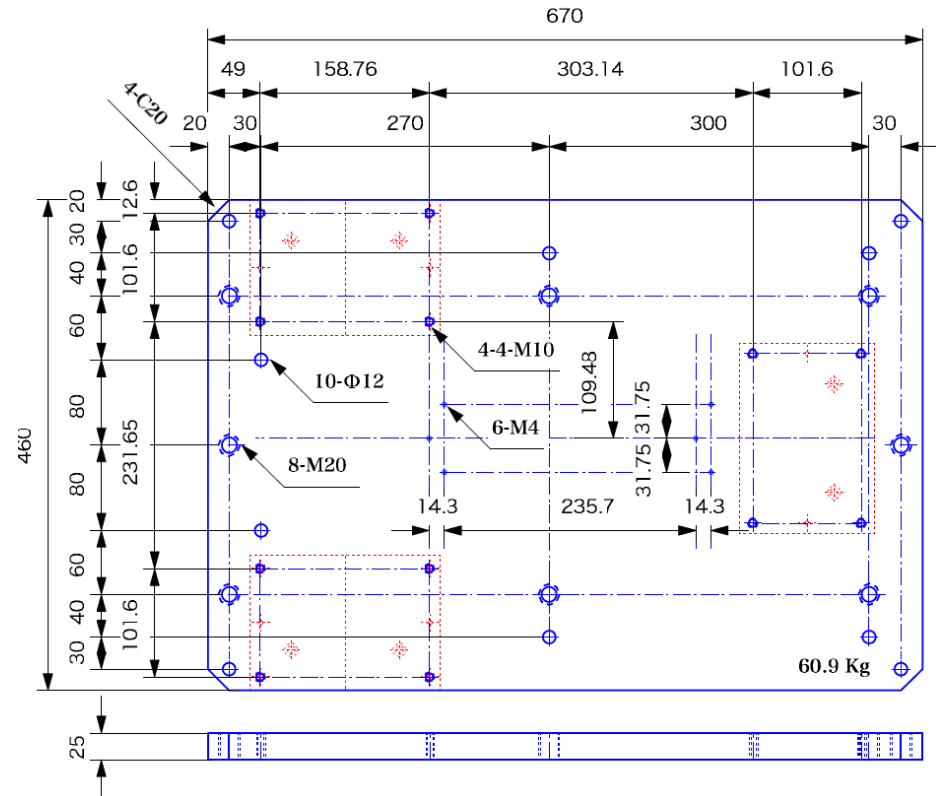
Quads, sextupoles and movers : SLAC (from FFTB)  
 From floor to mover: LAPP (new)  
 BPM+support: KNU, LAPP

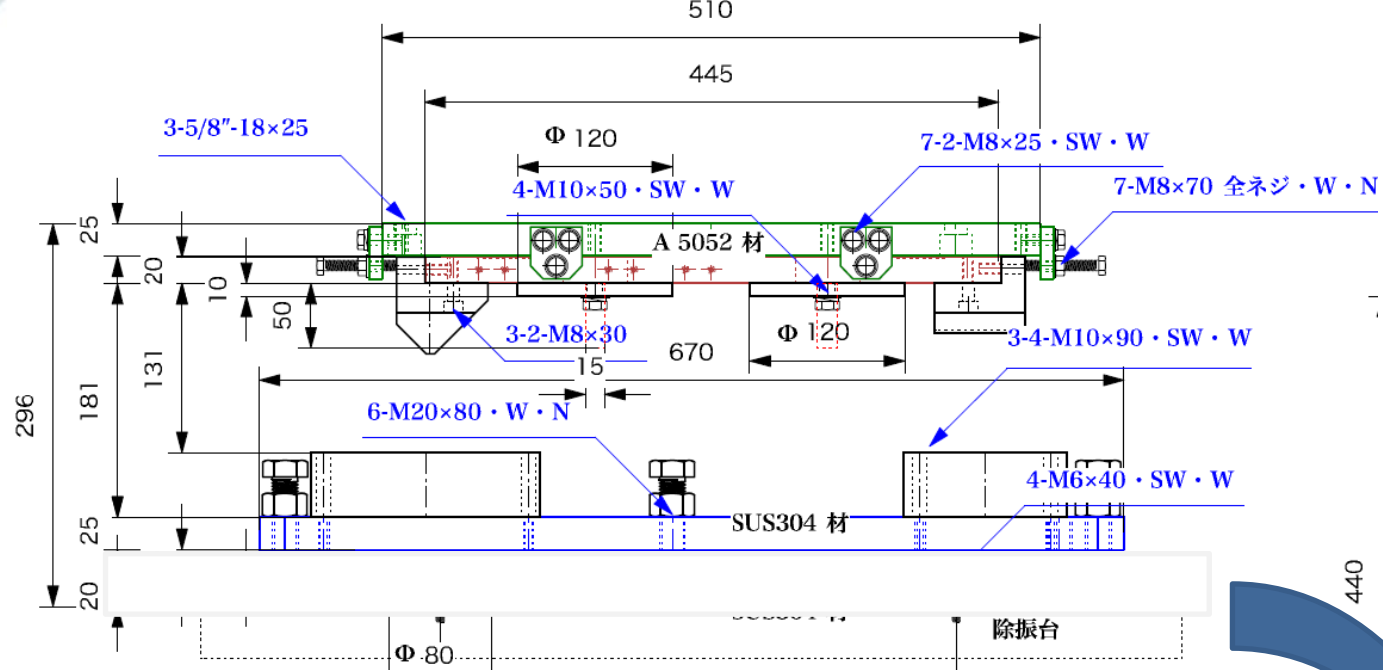


# Idea for new QF1FF support: Keep plate B or use initial T-plate

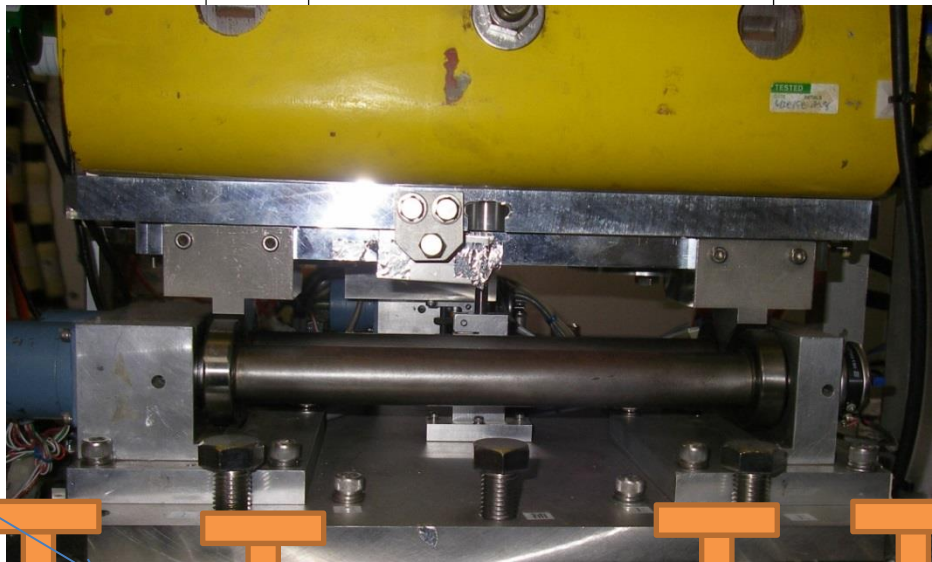


TOP VIEW





Room for adjustment shims



Replace plate A by big feet to reduce H-V coupling



# What about QD10FF?

- Not the same configuration:
  - Mover under support



Height adjustment

Mover



# Sensors

- We paid taxes to send the 14 sensors to KEK for ATF2 (April 2013).
- Do we want the sensors to come back to France or stay at KEK?
- If we want to send them back, a period of 3 years is acceptable to avoid paying taxes again. This period will be over end of March 2016.