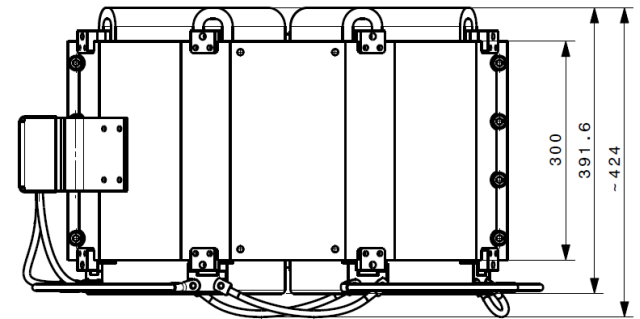
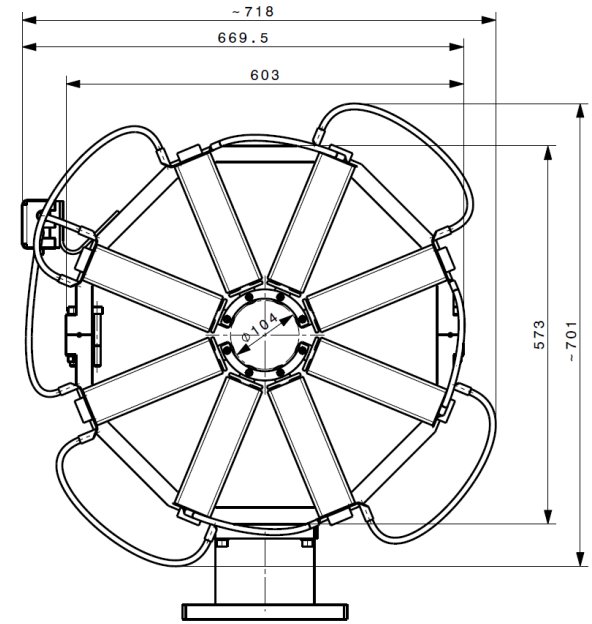
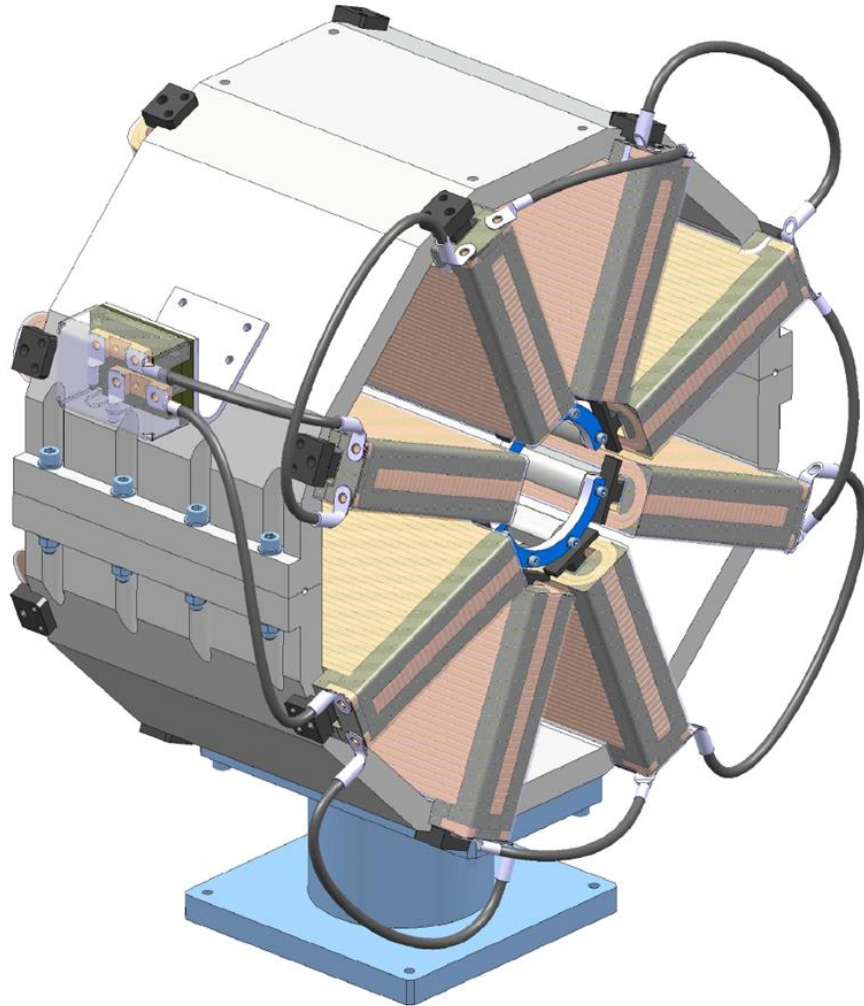
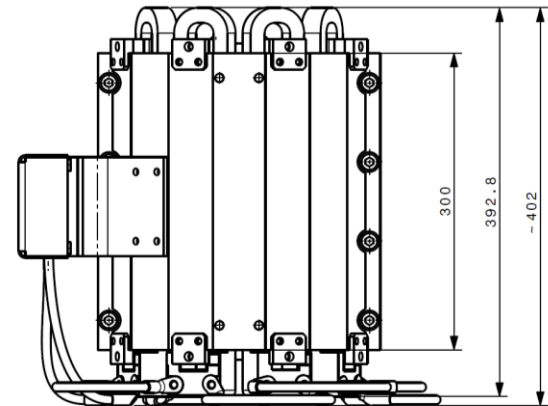
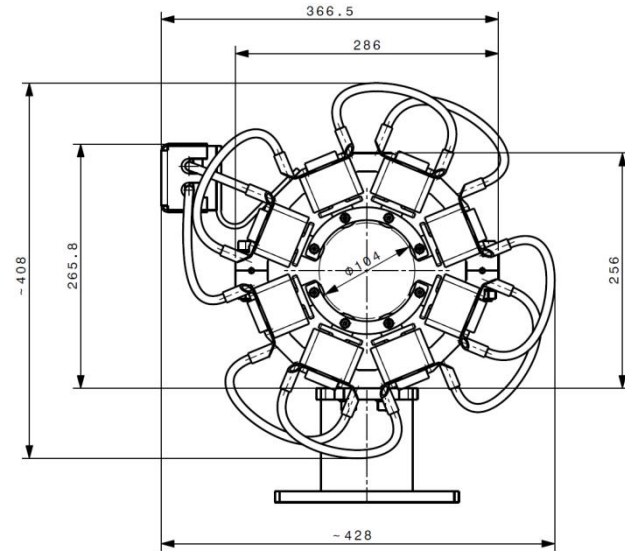
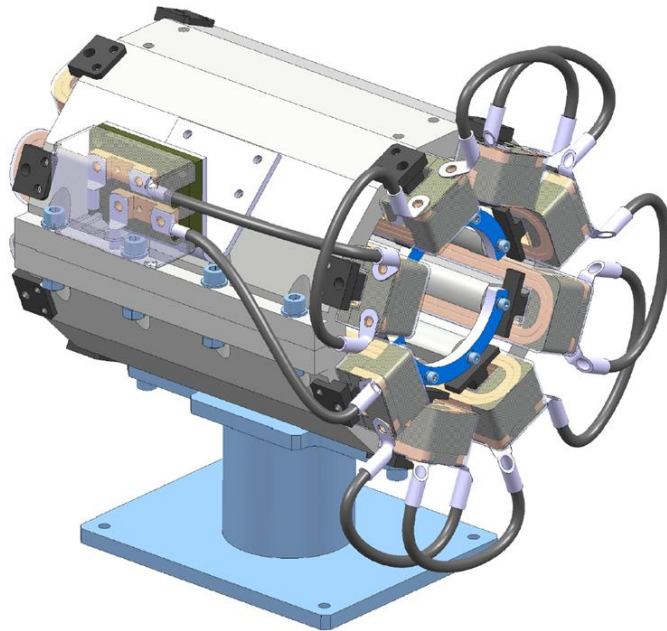


Design Octupoles for ATF : Big



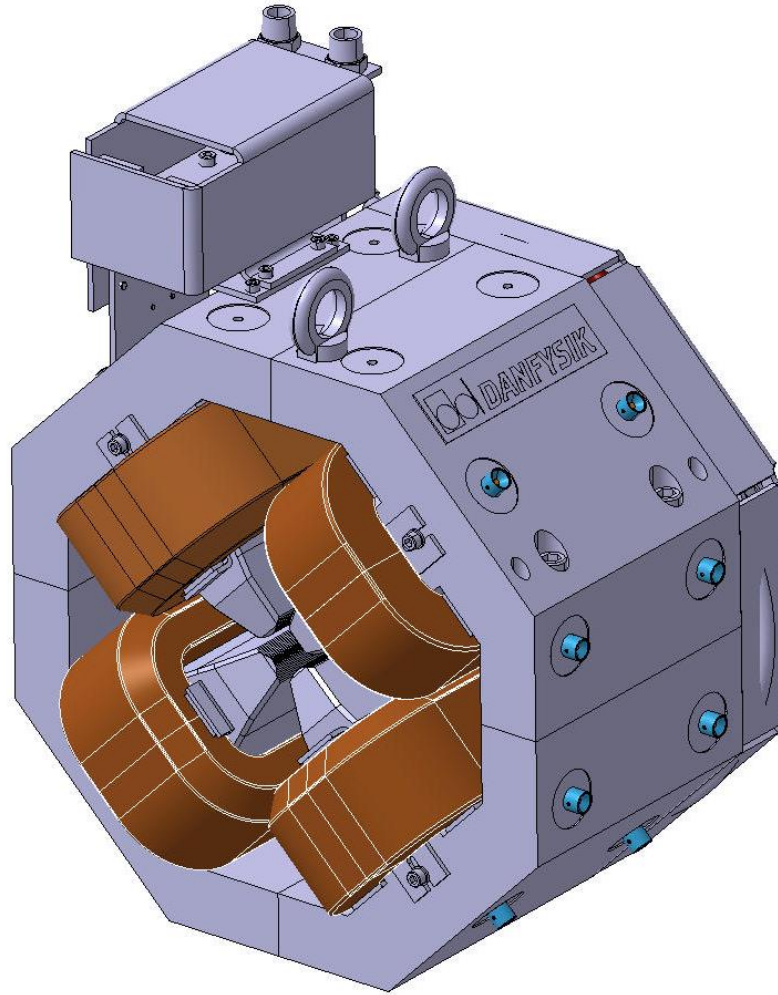
Helene Mainaud Durand
Mathieu Duquenne

Design Octupoles for ATF : Small



Helene Mainaud Durand
Mathieu Duquenne

DBQ fiducialisation for CLEX



Fiducialisation $5\mu\text{m}$
Open/Close $< 5\mu\text{m}$ (pin)