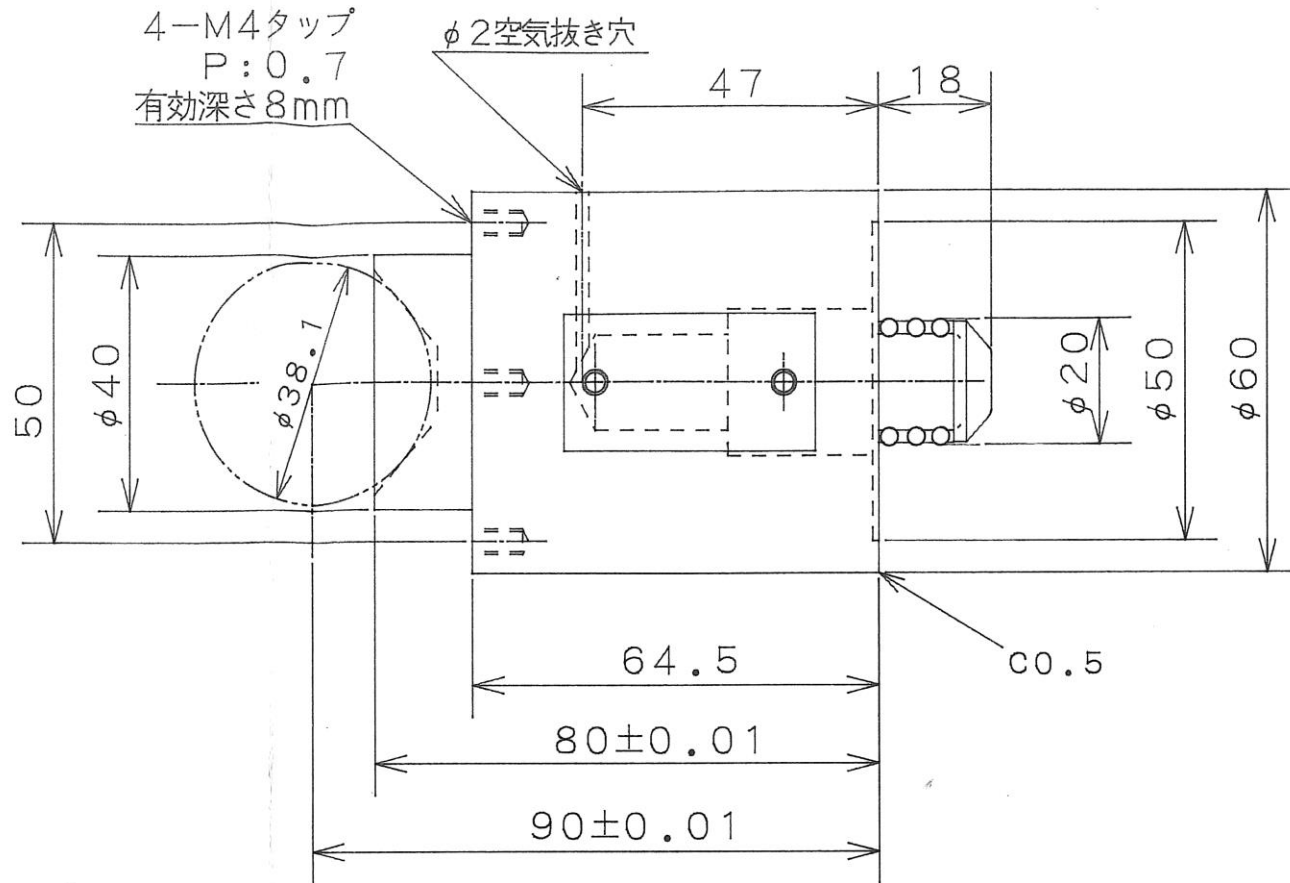


Target reference plate for ATF magnets

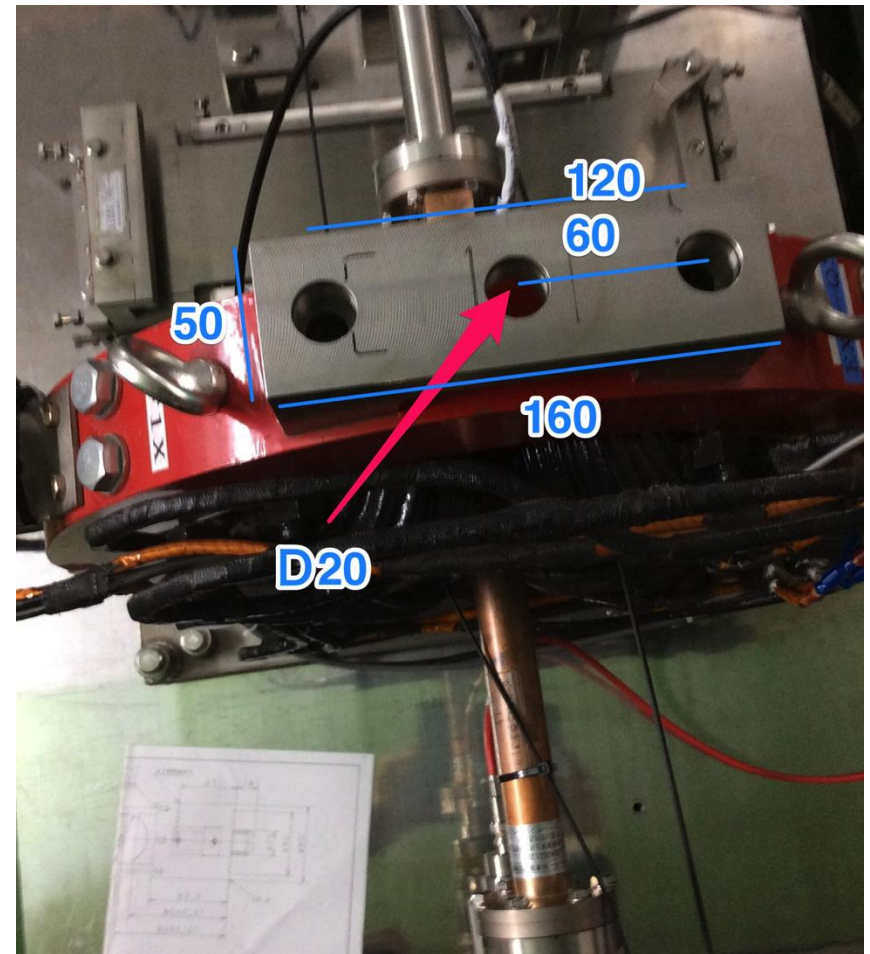
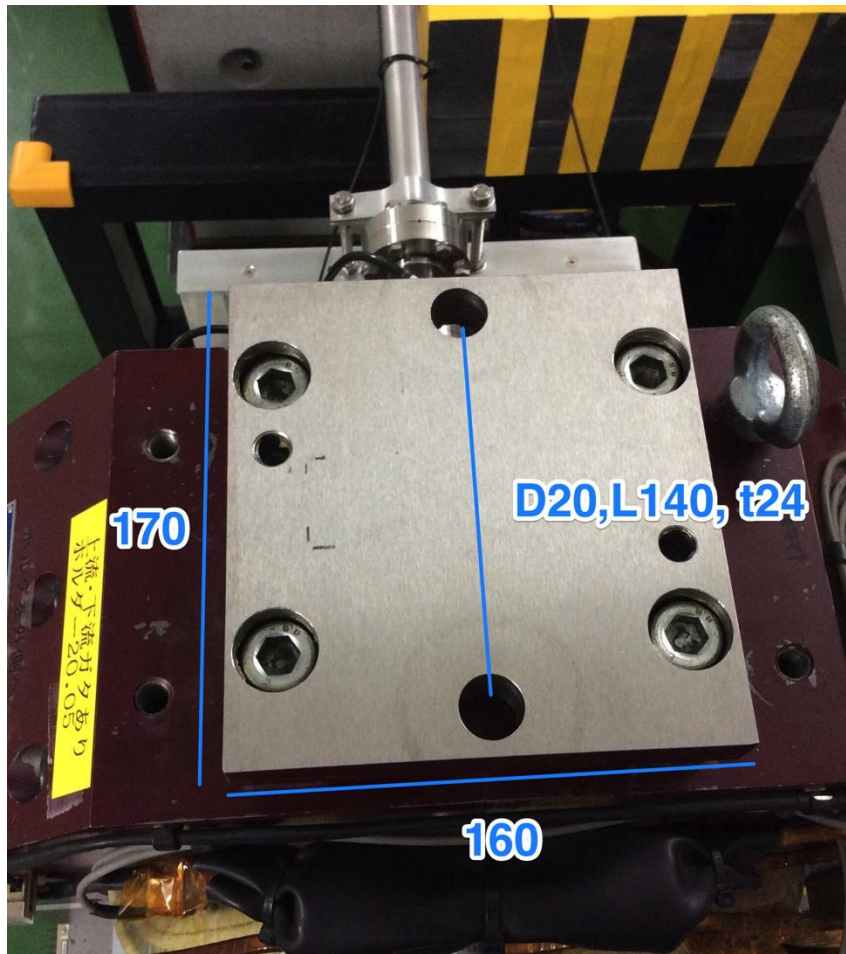
Memo

KEK S.Araki

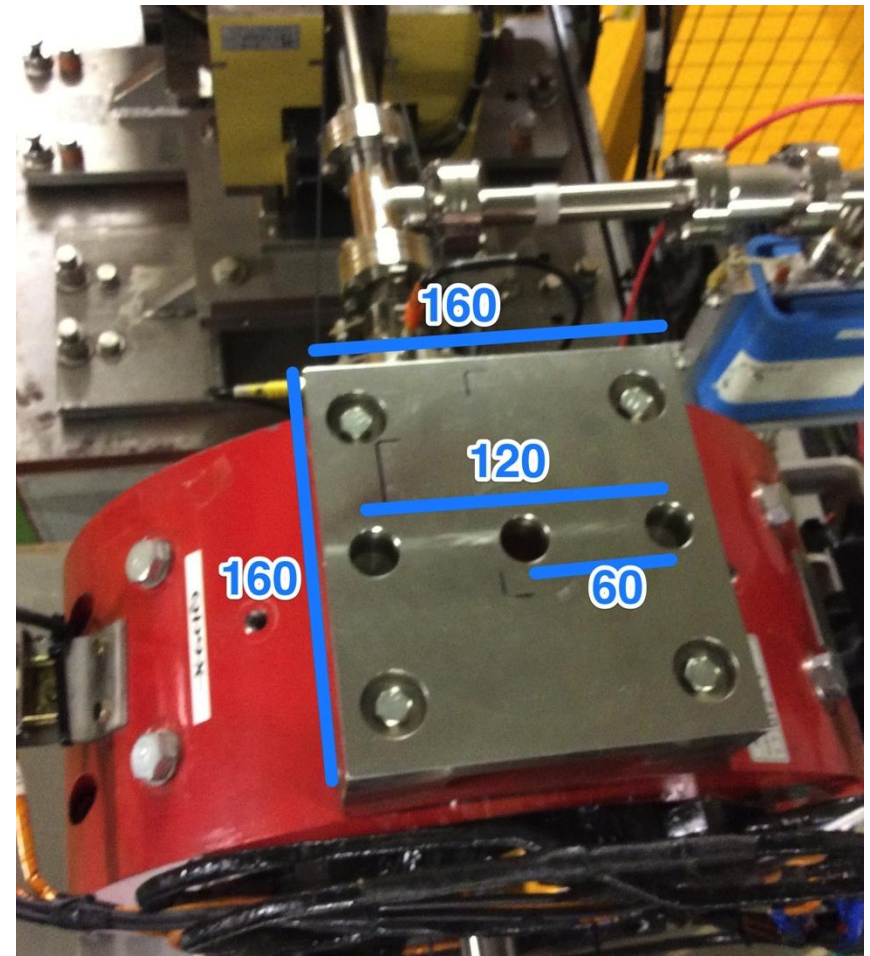
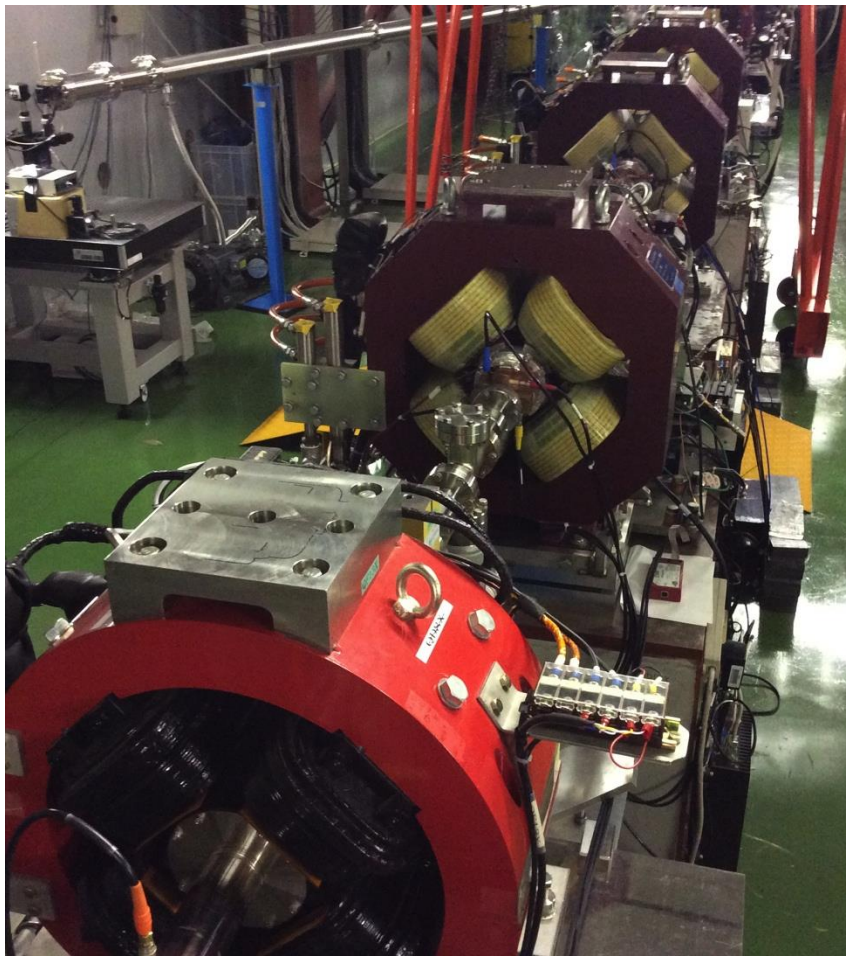
ATF Target holder (type D: h=90mm)



HOLE tolerance: $\phi 20 + 0.021 - 0 \text{ mm}$
(JIS B 0401 - 2 (1998), $\phi 20 : H7$)



Quadrupole magnet (Better reference plate!)



- The reference plane is flat.
- The bubble economy level is established.
- It's to measure ROLL and PITCH.
- Least, an area of 50x100mm is necessary.
- Reproducibility is guaranteed in a smooth face.
- The size in the hole is ϕ 20.02mm (better).
- The number of the hole is 2 or 3.
- It's used for measurement of YAW.