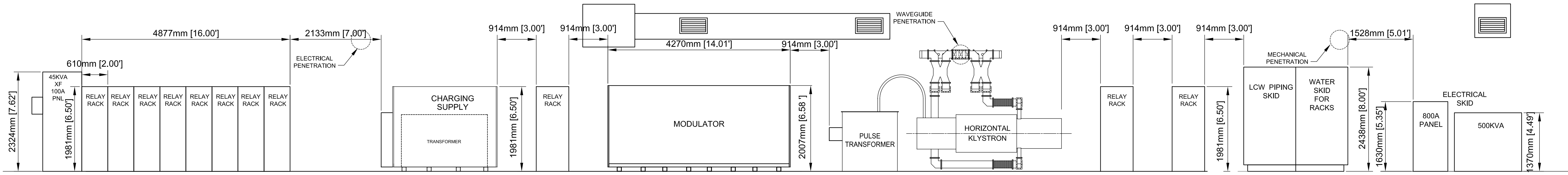
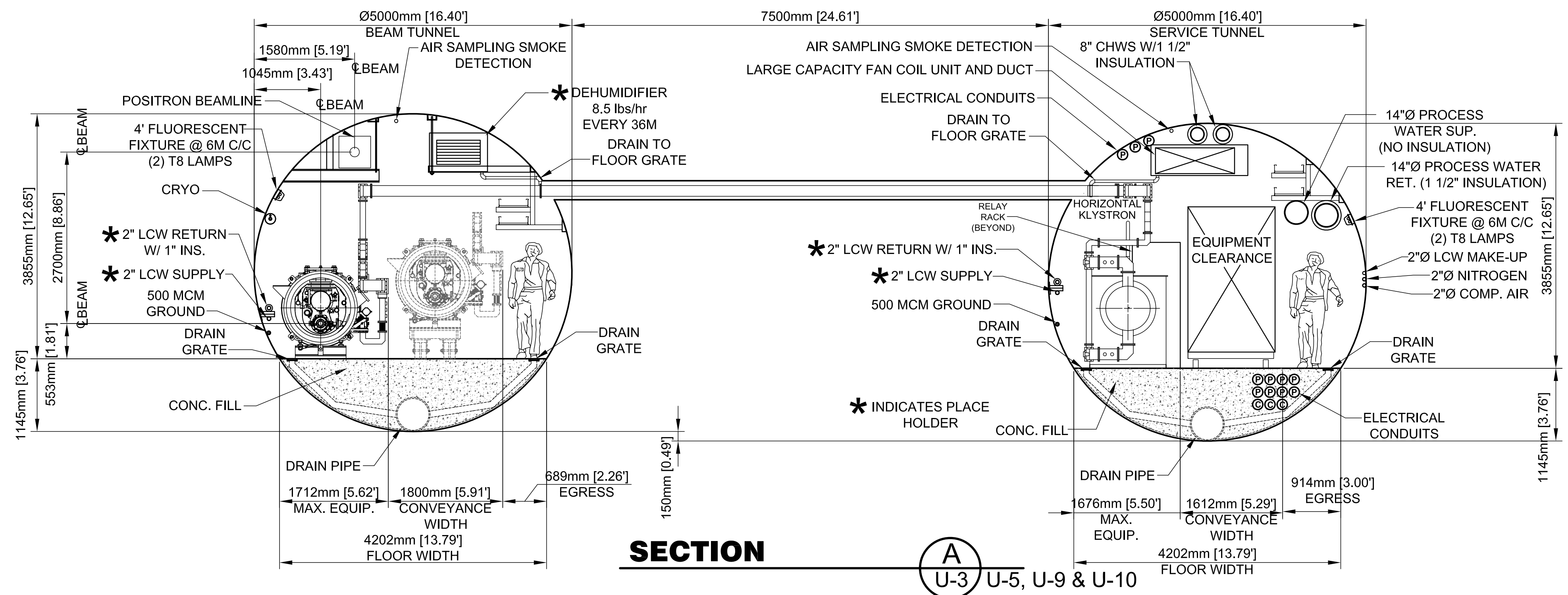


PLAN - 5.0M SERVICE TUNNEL



ELEVATION - SERVICE TUNNEL



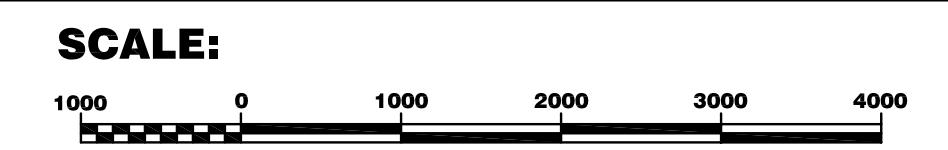
SECTION

A
U-3 U-5, U-9 & U-10

REV.	DATE	DESCRIPTIONS	REVISIONS

DRAFT
JULY 14, 2006

	NAME	DATE
DESIGNED		
DRAWN		
CHECKED		
APPROVED		
SUBMITTED		



ILC GLOBAL DESIGN EFFORT
CONVENTIONAL FACILITIES AND SITING

AMERICAS ILC BASIS OF COST
5M SERVICE & BEAM TUNNEL PLAN & ELEV.

DRAWING NO. **6-11-BCD** **U-12** REV.

14 JULY 2006

Dwg: ILC_MAIN_INAC_EQPT_LAYOUT.dwg Plotter: 03MAR06 @ 07:15:34a.m.